

2-way Cartridge Valve (Pressure Function)

Technical data

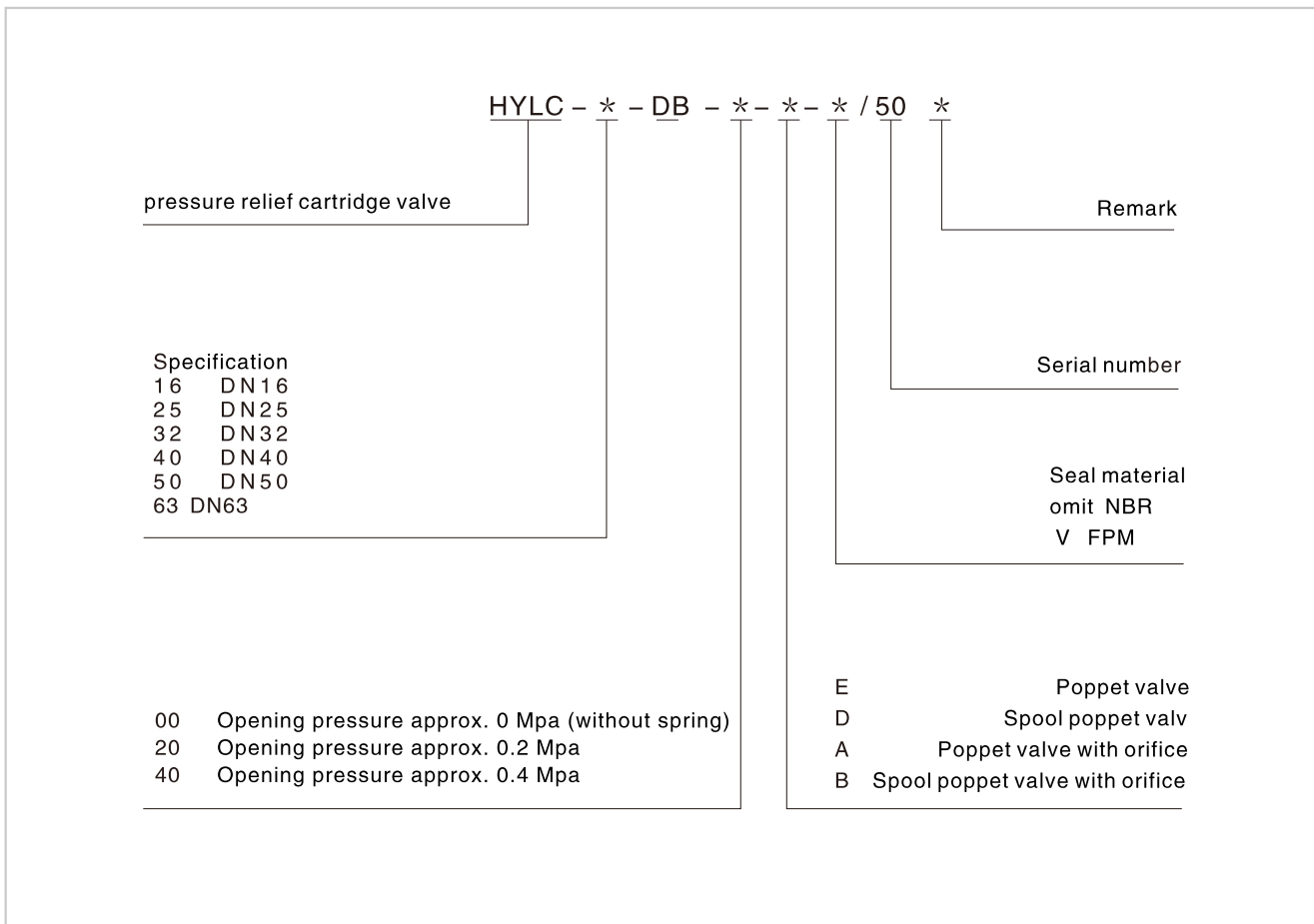


Size	16	25	32	40	50	63
Max working pressure (MPa)	31.5					
Max flow rate (L/min)	250	400	600	1000	2000	2500
Working fluid	Mineral hydraulic oil; phosphate ester hydraulic oil					
Fluid temp (°C)	-20~70					
Fluid viscosity (mm ² /s)	-2.8~500					
Cleanliness	NAS1638 Class 9, recommended filtration precision Min β ≥75.					

HYLC is a high-flow high-pressure logic valve, mainly to control the hydraulic oil on/off shall work together the coverplate

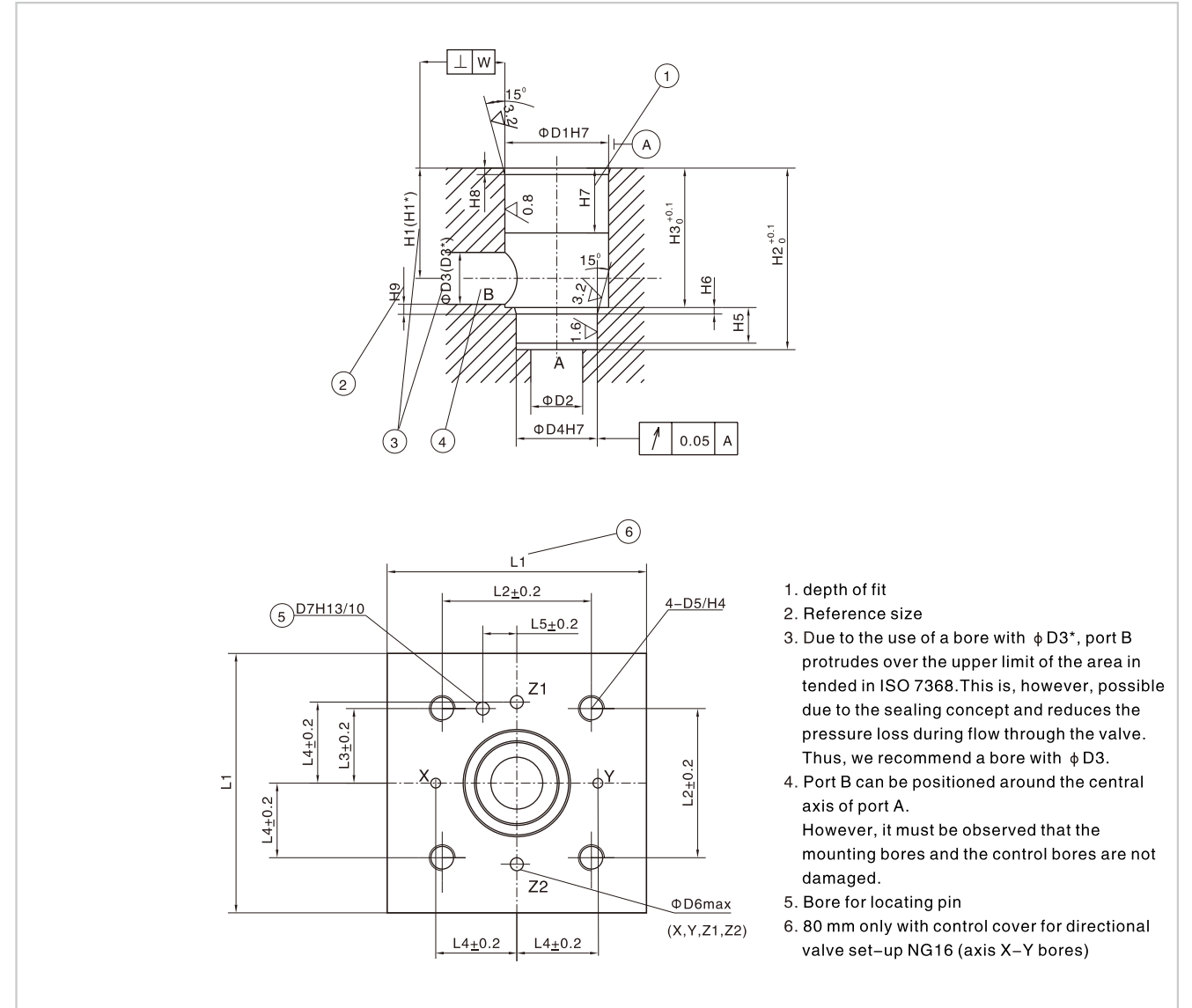
E.4.1

Model description



2-way Cartridge Valve (Pressure Function)

Dimension



Specification	ΦD1H7	ΦD2H7	ΦD3H7	(ΦD3*)	ΦD4	ΦD5	ΦD6H7	ΦD7	H1	(H1*)	H2	H3
16	32	16	16	25	25	M8	4	4	34	29.5	56	43
25	45	25	25	32	34	M12	6	6	44	40.5	72	58
32	60	32	32	40	45	M16	8	6	52	48	85	70
40	75	40	40	50	55	M20	10	6	64	59	105	87
50	90	50	50	63	68	M20	10	8	72	65.5	122	100
63	120	63	63	80	90	M30	12	8	95	86.5	155	130

规格	H4	H5	H6	H7	H8	H9	L1	L2	L3	L4	L5	W
16	20	11	2	20	2	0.5	65/80	46	23	25	10.5	0.0
25	25	12	2.5	30	2.5	1	85	58	29	33	16	0.05
32	35	13	2.5	30	2.5	1.5	102	70	35	41	17	0.1
40	45	15	3	30	3	2.5	125	85	42.5	50	23	0.1
50	45	17	3	35	4	2.5	140	100	50	58	30	0.1
63	65	20	4	40	4	3	180	125	62.5	75	38	0.2

E.4.2