

D05 Standard Flow Parallel Manifold



O.3.1

D05 Standard flow parallel manifold

HY* D05 P * 3 * / * / 10

A Aluminum 7A04 max. working pressure 20.7Mpa
D Ductile Iron 45# max. working pressure 31.5Mpa

Valve Pattern 05 NG 10

Parallel Circuit Standard Flow

Parallel Circuit Standard Flow
01-21

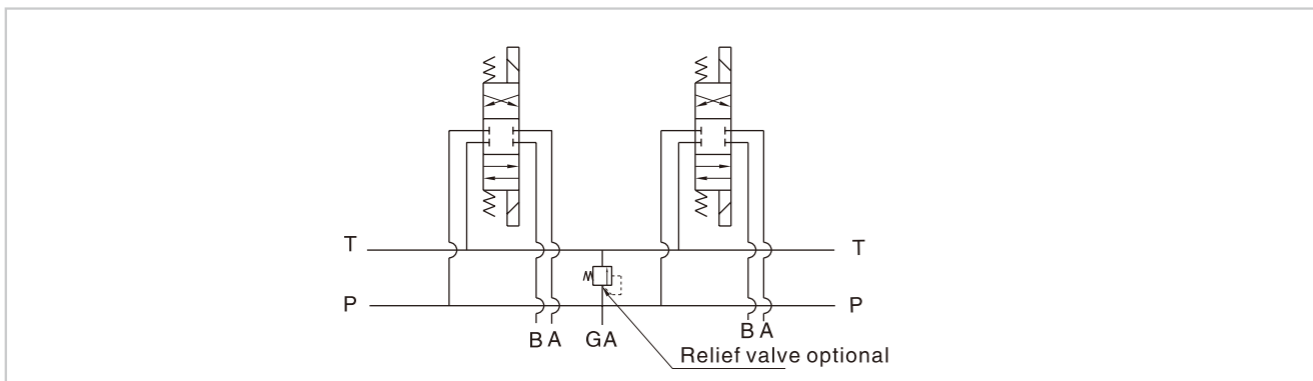
Valve Spacing
3.25 inch [82.6 mm]

Serial number

Omit	cavities not required
C	One Common cavity: C-10-2 (P in nose)
S	One Sun Cavity: T-3A (P in nose)

Port Threads	P, T	A, B	GA
P NPT(Z)	0.75	0.5	0.25
S SAE	-12	-8	-6
B BSP(G)	0.75	0.5	None
M M	M27x2	M18x1.5	None

Code symbol



O.3.1

D05 Standard Flow Parallel Manifold

External dimensions

Model-View relationship

Relief valve cavity optional

Port code	Valve mtg	Manifold mtg
P,S	0.25-20 UNCx 0.75[19]DP	0.31-18 UNCx 0.44[11.1]DP
B,M	M6 ISO 6Hx 0.75[19]DP	M8 ISO 6Hx 0.44[11.1]DP

O.3.2

No. of stations	* 01	02	03	04	05	06	07	08	09	10	11
"A" length inch (mm)	3.25 [82.6]	6.50 [165.1]	9.75 [247.7]	13.00 [330.2]	16.25 [412.8]	19.50 [495.3]	22.75 [577.9]	26.00 [660.4]	29.25 [743.0]	32.50 [825.5]	35.75 [908.1]
apx. Weight alum (KG)	4 [2]	8 [4]	11 [5]	14 [7]	17 [8]	21 [10]	24 [11]	27 [12]	30 [14]	34 [15]	37 [17]
apx. Weight ferrous (KG)	9 [4]	17 [8]	26 [12]	34 [15]	43 [20]	51 [23]	60 [27]	68 [31]	77 [35]	85 [39]	94 [43]
No. of stations	12	13	14	15	16	17	18	19	20	21	
"A" length inch (mm)	39.00 [990.6]	42.25 [1073.2]	45.50 [1155.7]	48.75 [1238.3]	52.00 [1320.8]	55.25 [1403.4]	58.50 [1485.9]	61.75 [1568.5]	65.00 [1651.0]	68.25 [1733.6]	
apx. Weight alum (KG)	41 [19]	44 [20]	47 [21]	51 [23]	55 [25]	58 [26]	61 [28]	64 [29]	67 [30]	71 [32]	
apx. Weight ferrous (KG)	102 [46]	--	--	--	--	--	--	--	--	--	

*1 Length of 01 station with relief cavity is 3 (76.2) . Gauge port not available on 01 station

O.3.2