

3 Ways Single Pilot Operated Check Valves, In Line

Technical specification

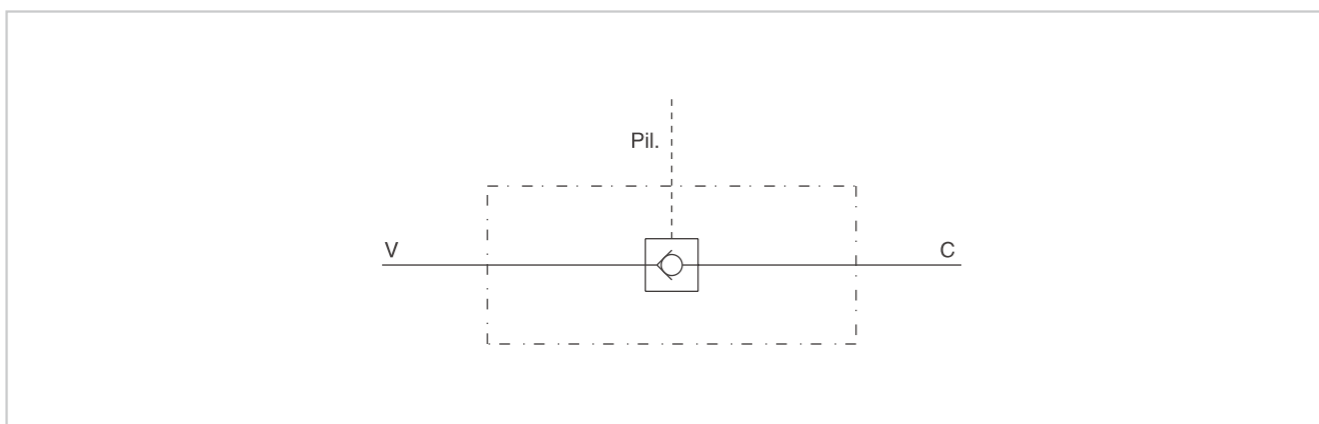


Specification	1/4"	3/8"	1/2"	3/4"
Pilot ratio	1:9.8	1:6.5	1:4.6	1:4.4
Max flow (L/min)	15	30	45	80
Max pressure (Bar)	350	300	300	250
Cracking Pressure (Bar)	2.5	5	3	0.5

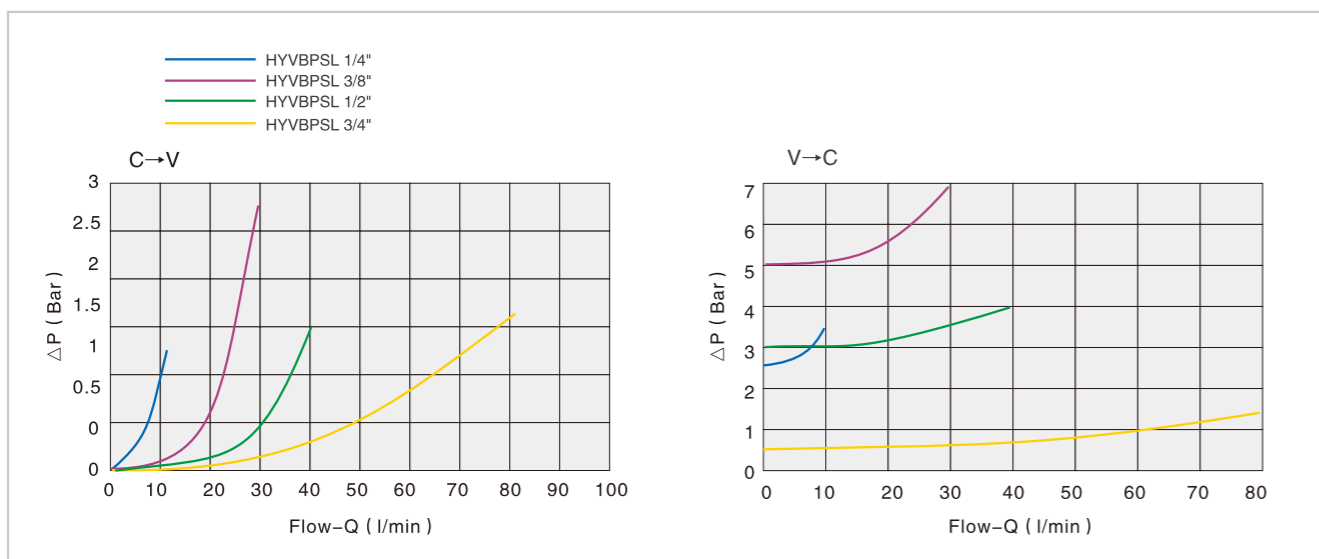
Use and operation:
 These valves are used to block the cylinder in one direction. The flow is free in one direction and blocked in the reverse direction until pilot pressure is applied.

Applications:
 Connect V to the pressure flow, C to the actuator's side you want the flow to be blocked and Pil to the pilot line.

Code symbol

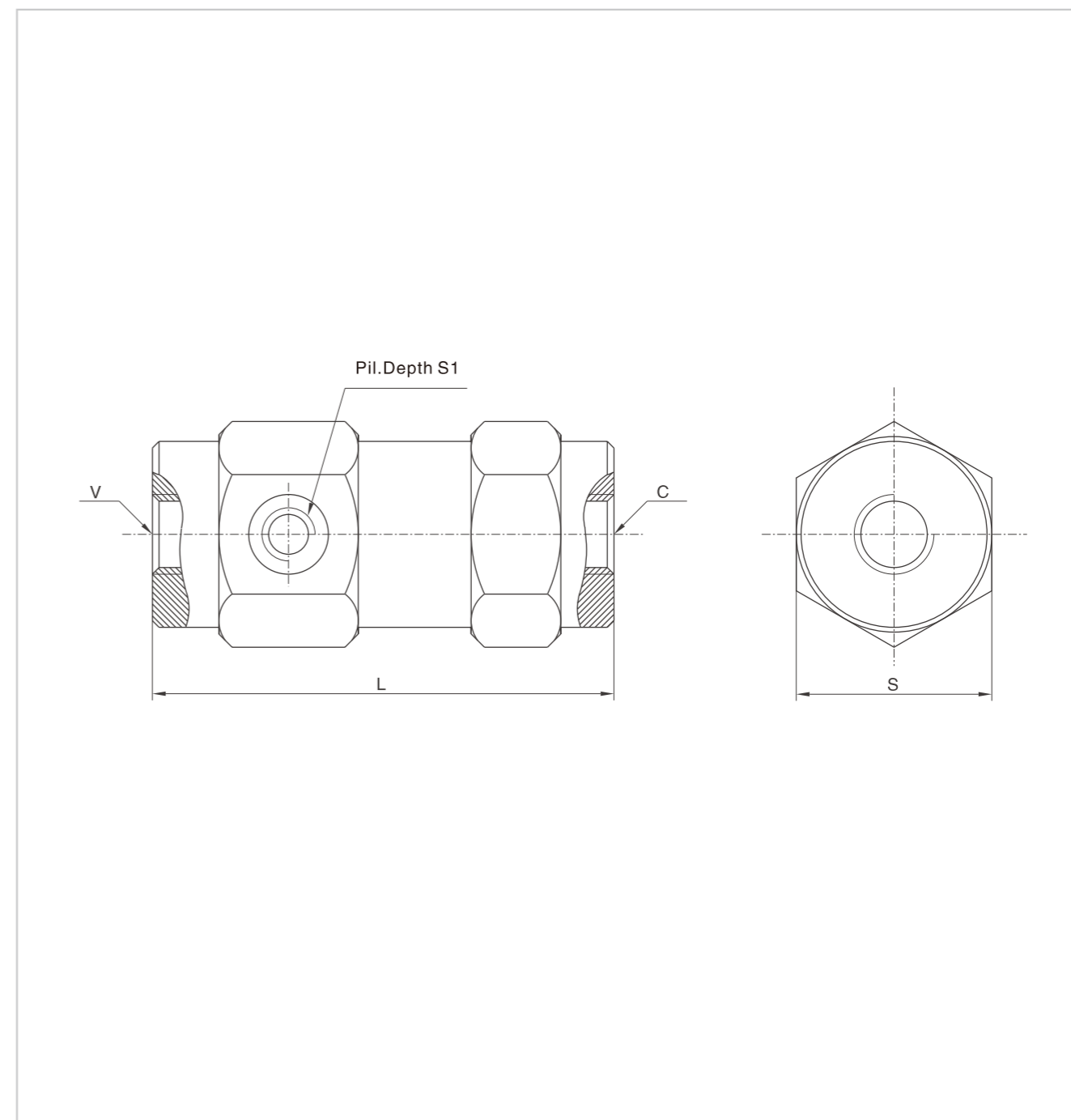


Pressure drops curve



3 Ways Single Pilot Operated Check Valves, In Line

External dimensions



Type	V/C	Pil.	L	S	S1
HYVBPSL 1/4"	G 1/4"	G 1/4"	103	36	11
HYVBPSL 3/8"	G 3/8"	G 1/4"	109	40	11.5
HYVBPSL 1/2"	G 1/2"	G 1/4"	120	42	11
HYVBPSL 3/4"	G 3/4"	G 1/4"	131	55	14
HYVBPSL 1"	G 1"	G 1/4"	185	70	14