

## Double Overcentre Valves

### Technical specification



Specification	3/8" DE	1/2" DE	1/4" DE
Pilot ratio	1:3.1	1:3.1	1:5.5
Max flow (L/min)	35	50	105
Max pressure (Bar)	350		

#### Use and operation:

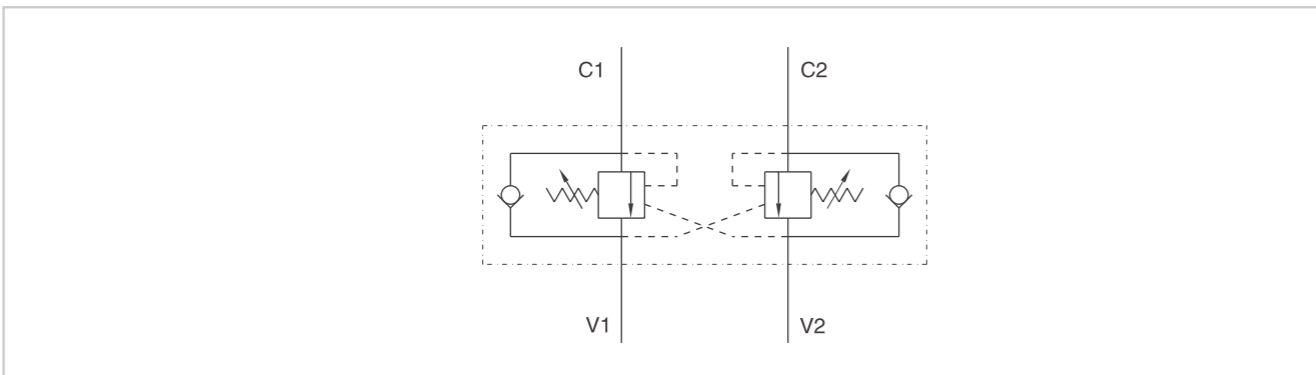
These valves are used to control actuator's movement and block in both directions in order to enable the following functions:

- under control descent of a load: load's weight doesn't carry it away, as the valve prevents any cavitations of the actuator;
- limited maximum pressure in case of shocks created by loads, overloads or sudden manoeuvrings (load control with opened centre distributor).

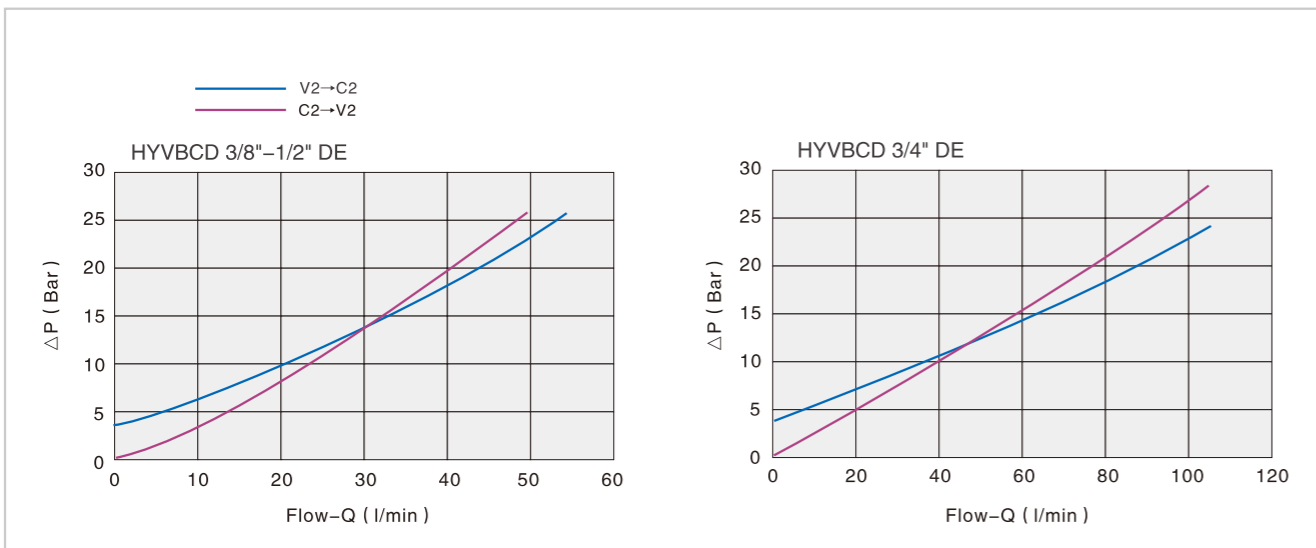
#### Applications:

Connect V1 and V2 to the pressure flow, C1 and C2 to the actuator to be controlled. In-line mounting.

### Code symbol

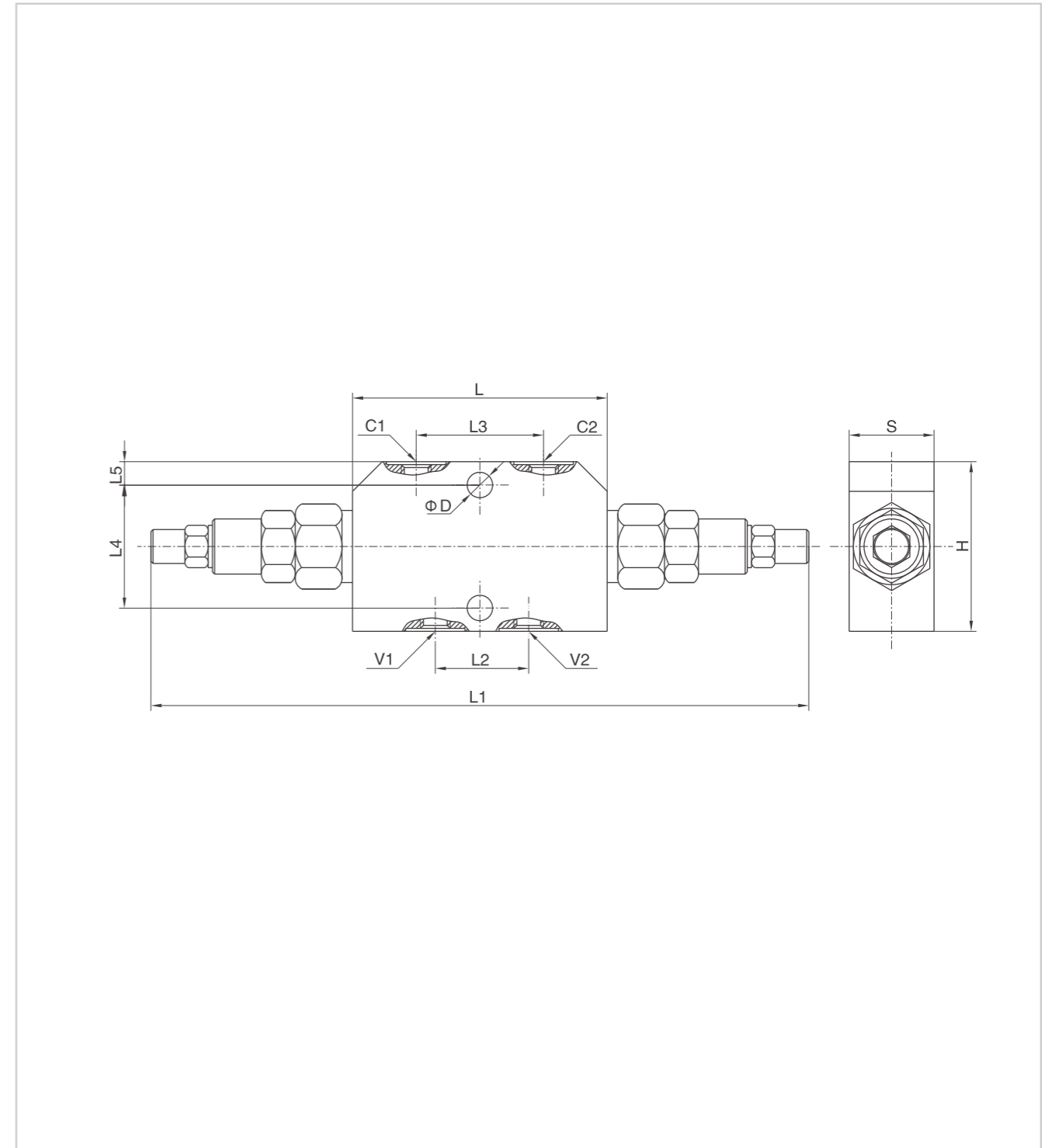


### Pressure drops curve



## Double Overcentre Valves

### External dimensions



Type	V1/V2/C1/C2	L	L1	L2	L3	L4	L5	D	H	S
HYVBCD 3/8" DE	G 3/8"	120	264	34	73	44	8	8.5	60	30
HYVBCD 1/2" DE	G 1/2"	120	264	36	73	44	8	8.5	60	30
HYVBCD 3/4" DE	G 3/4"	152	296	58	106	44	21	8.5	80	35