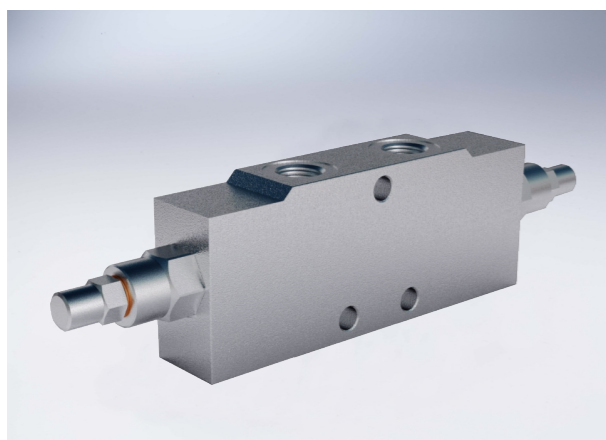


## Double Overcentre Valves Type A

### Technical specification



Specification	1/4" DE/A	3/8" DE/A	1/2" DE/A	3/4" DE/A
Pilot ratio	1:4.5	1:4.5	1:4.5	1:5.5
Max flow (L/min)	20	40	60	95
Max pressure (Bar)	350			

#### Use and operation:

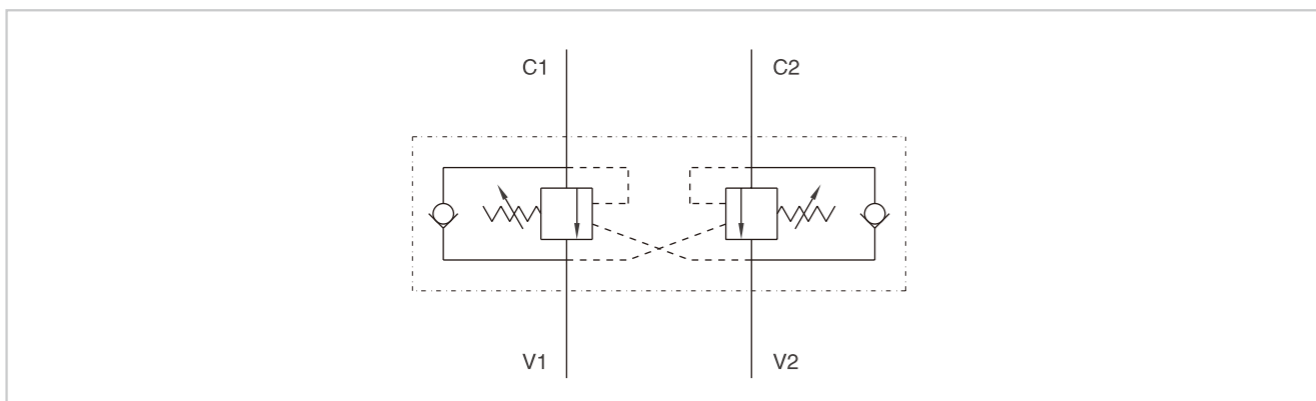
These valves are used to control actuator's movement and block in both directions in order to enable the following functions:

- under control descent of a load: load's weight doesn't carry it away, as the valve prevents any cavitations of the actuator;
- limited maximum pressure in case of shocks created by loads, overloads or sudden manoeuvrings (load control with opened centre distributor).

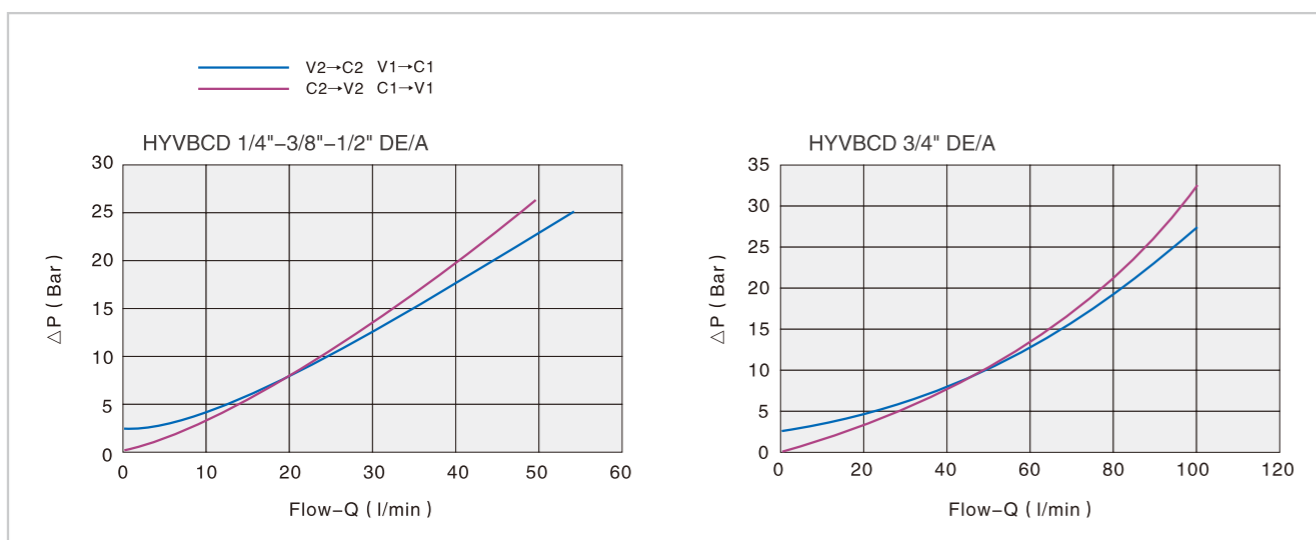
#### Applications:

Connect V1 and V2 to the pressure flow, C1 and C2 to the actuator to be controlled. In-line mounting.

### Code symbol

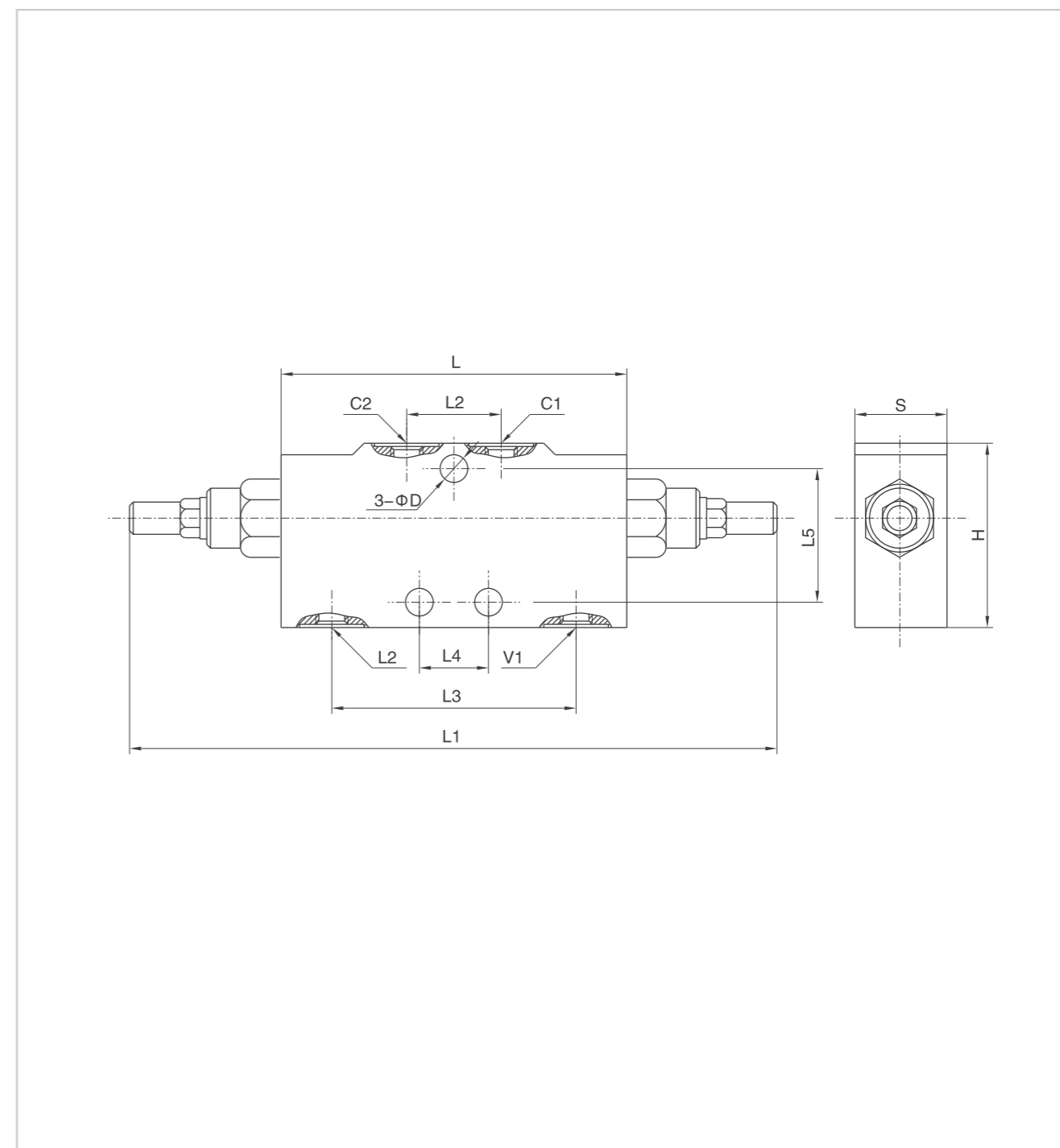


### Pressure drops curve



## Double Overcentre Valves Type A

### External dimensions



Type	V1/V2/C1/C2	L	L1	L2	L3	L4	L5	D	H	S
HYVBCD 1/4" DE/A	G 1/4"	151	247	50	110	30	44	8.5	60	30
HYVBCD 3/8" DE/A	G 3/8"	151	247	50	110	30	44	8.5	60	30
HYVBCD 1/2" DE/A	G 1/2"	151	247	50	110	30	44	8.5	60	30
HYVBCD 3/4" DE/A	G 3/4"	190	304	65	143	44	64	8.5	80	35