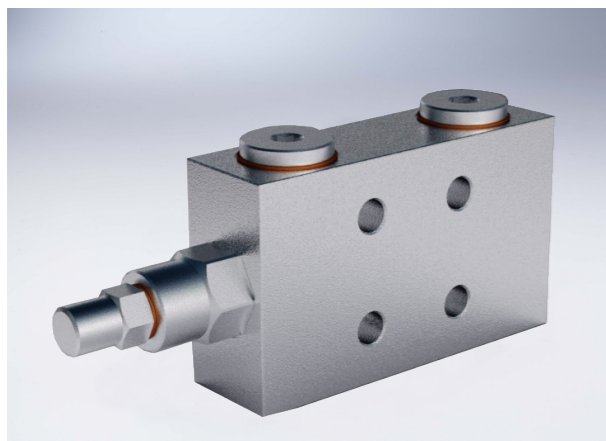


Single Overcentre Valves Flangeable

Technical specification



Specification	3/8" SE/FL	1/2" SE/FL
Pilot ratio	1:4.5	
Max flow (L/min)	40	60
Max pressure (Bar)	350	

Use and operation:

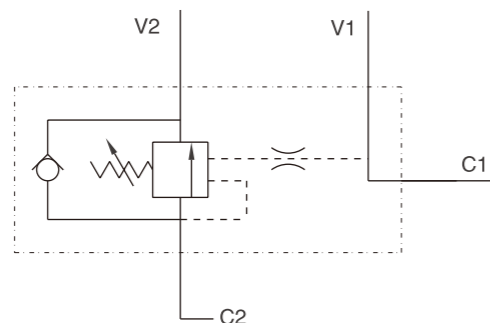
These valves are used to control actuator's movement and block in both directions in order to enable the following functions:

- under control descent of a load: load's weight doesn't carry it away, as the valve prevents any cavitations of the actuator;
- limited maximum pressure in case of shocks created by loads, overloads or sudden manoeuvrings (load control with opened centre distributor).

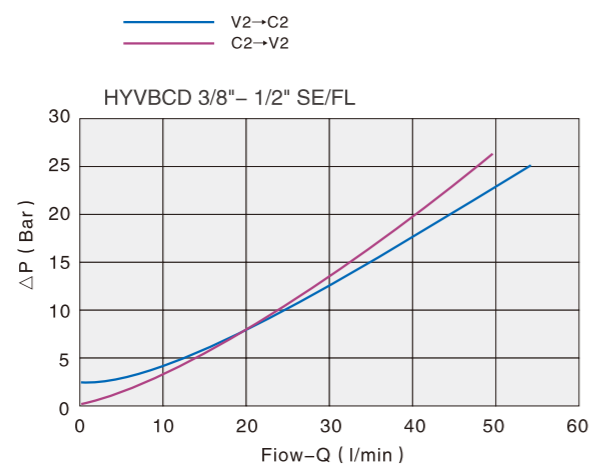
Applications:

Connect V1 and V2 to the pressure flow, C1 to the free flow side of the actuator and flange C2 to the actuator's side you want the flow to be blocked. V1 and V2 ports are reversible.

Code symbol

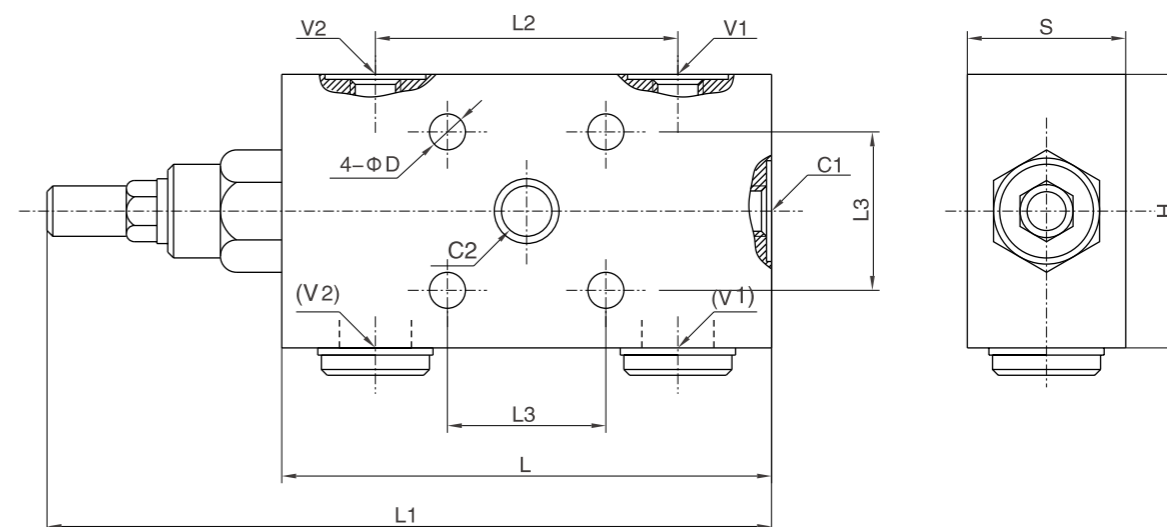


Pressure drops curve



Single Overcentre Valves Flangeable

External dimensions



Type	V1/V2/C1	C2	L	L1	L2	L3	H	S
HYVBCD 3/8" SE/FL	G 3/8"	9	100	148	60	30	60	30
HYVBCD 1/2" SE/FL	G 1/2"	9	100	148	65	30	60	30

Valve's flanges

TYPE B8000

