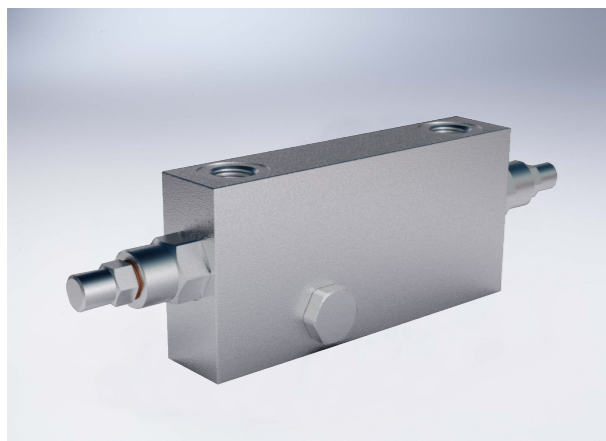


Double Overcentre Valves Flangeable By Screw

Technical specification



Specification	3/8" DE/A FLV	1/2" DE/A FLV
Pilot ratio	1:4.5	
Max flow (L/min)	40	60
Max pressure (Bar)	350	

Use and operation:

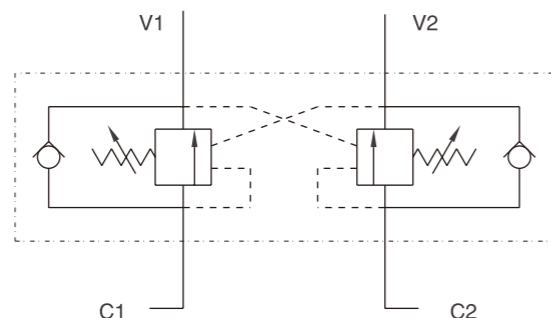
These valves are used to control actuator's movement and block in both directions in order to enable the following functions:

- under control descent of a load: load's weight doesn't carry it away, as the valve prevents any cavitations of the actuator;
- limited maximum pressure in case of shocks created by loads, overloads or sudden manoeuvrings (load control with opened centre distributor).

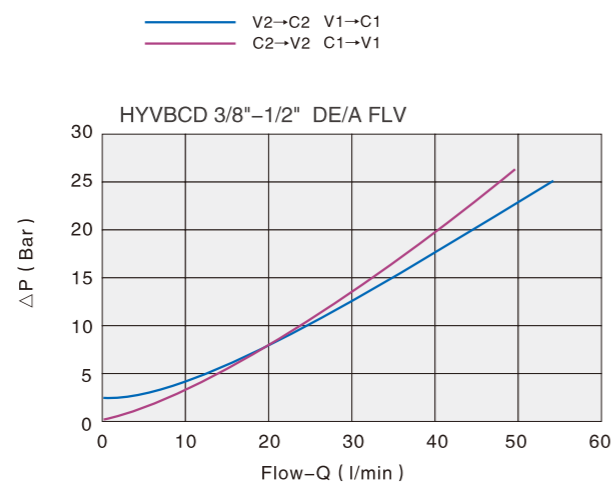
Applications:

Connect V1 and V2 to the pressure flow and flange C1 and C2 directly to the actuator through the provided screw.

Code symbol

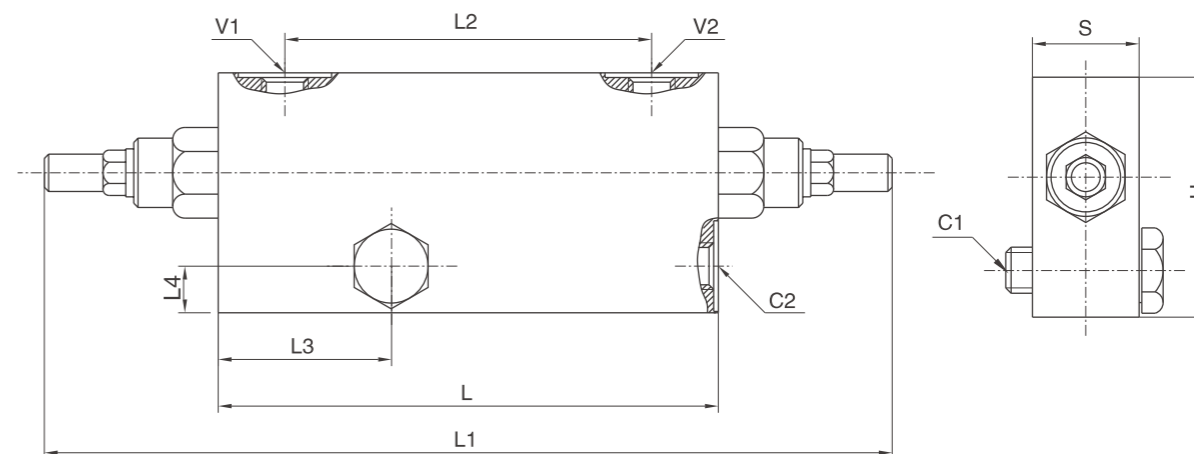


Pressure drops curve



Double Overcentre Valves Flangeable By Screw

External dimensions



Type	V1/V2/C1/C2	L	L1	L2	L3	L4	H	S
HYVBCD 3/8" DE/A FLV	G 3/8"	150	250	110	50	12.5	70	30
HYVBCD 1/2" DE/A FLV	G 1/2"	150	250	110	50	18	80	30