

Dual Cross Relief Valve

Technical specification



Model	HYVBDC-3501C1 X				
Specification	3/8	1/2			
Max pressure (Mpa)	300	300			
Max flow (L/min)	45	70			
Installation site	Any				
Working fluid	Mineral oil, phosphate hydraulic oil				
Storage temp (°C)	-20~80				
Working temp (°C)	-10~60				
Spring	Setting range (Bar)	20-100	100-180	50-250	100-300
	Pressure increasing (Bar/turn)	12	30	45	50
	Standard setting (Bar)	75	90	130	150
Cleanliness	The max allowed cleanliness of the oil shall be as per standard nas1638, grade ix, recommendable filtering precision min $\beta \geq 75$.				

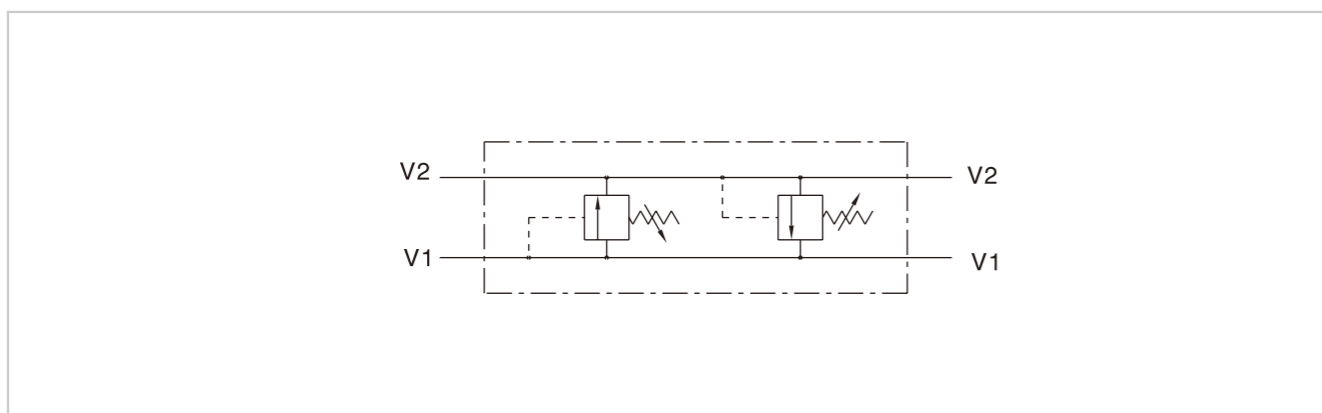
Usage:
It is made from 2 cross relief valves, to block actuator or ensure the pressure to the certain setting value of the motor oil ports. In theory, it can prevent pressure pulsation, also can adjust the pressure of the two circuits.

(Please consult with us if your working condition is out of the technical parameter given above.)

Ordering details

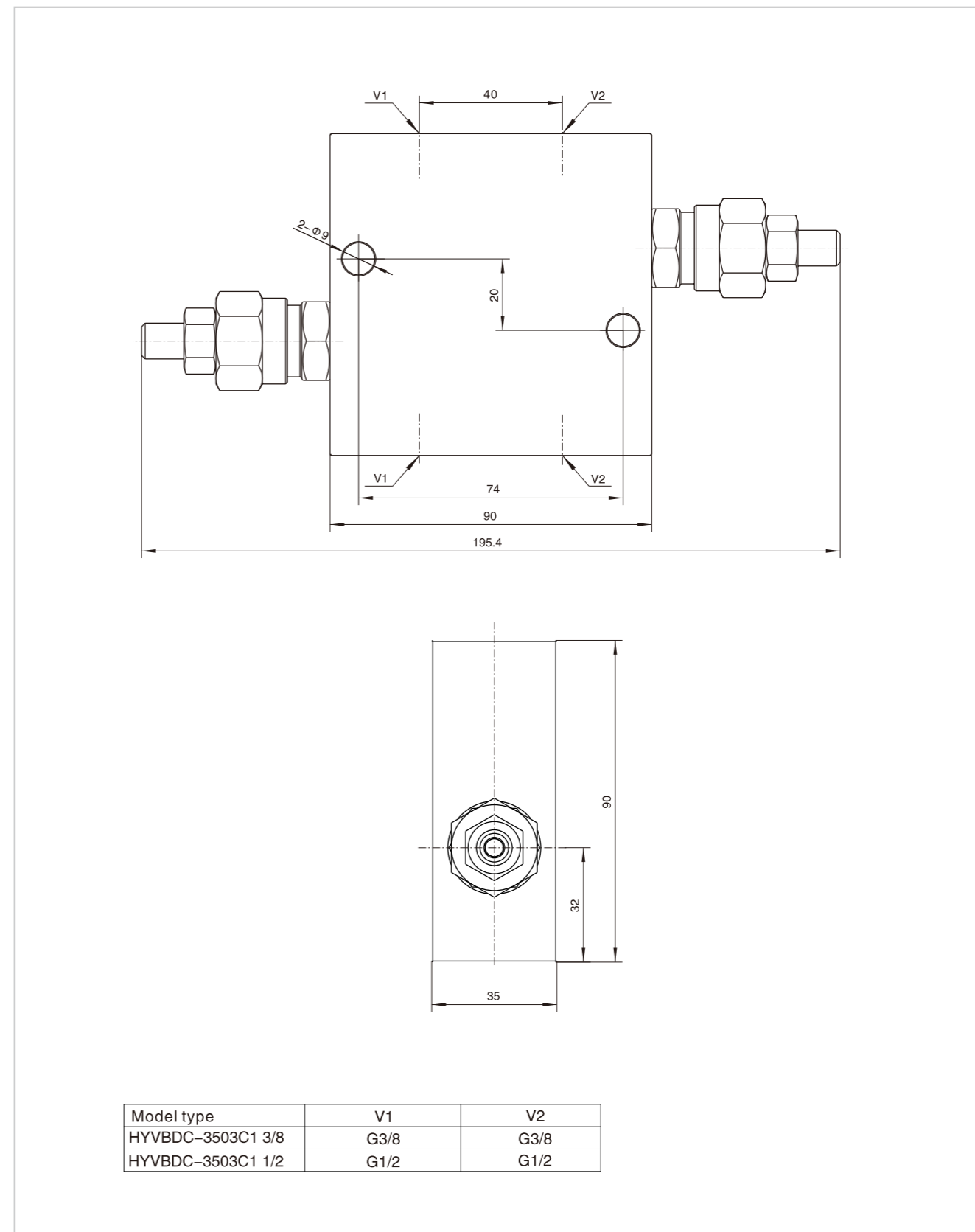
	HYVBPDC - *	*	
Dual cross relief valve			
Product ID			Port size
3503C1			G3/8 3/8
			G1/2 1/2

Code symbol



Dual Cross Relief Valve

External dimensions



Model type	V1	V2
HYVBDC-3503C1 3/8	G3/8	G3/8
HYVBDC-3503C1 1/2	G1/2	G1/2