

2 Ways Flow Divider

Technical specification



Specification	8	10	15	20	22	25	30	50
Min.flow (L/min)*	1	3	6	10	20	25	40	60
Max.flow (L/min)	3	6	10	20	32	40	60	80
Working pressure (Bar)	250							
Peak pressure (Bar)	300							

*Capacity values refers to input P

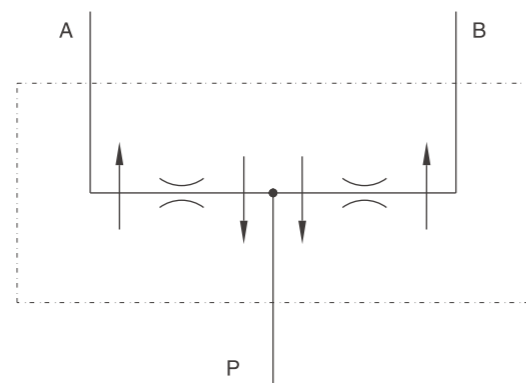
Use and operation:

These valves allows the division of inlet flow into two equals parts (50/50) and they unify it in the reverse direction independently of any pressure changes and flow. These valves are used when two equal actuators, that are not mechanically coupled, supplied by the same pump and controlled by a single distributor, must move simultaneously both at input and output

Applications:

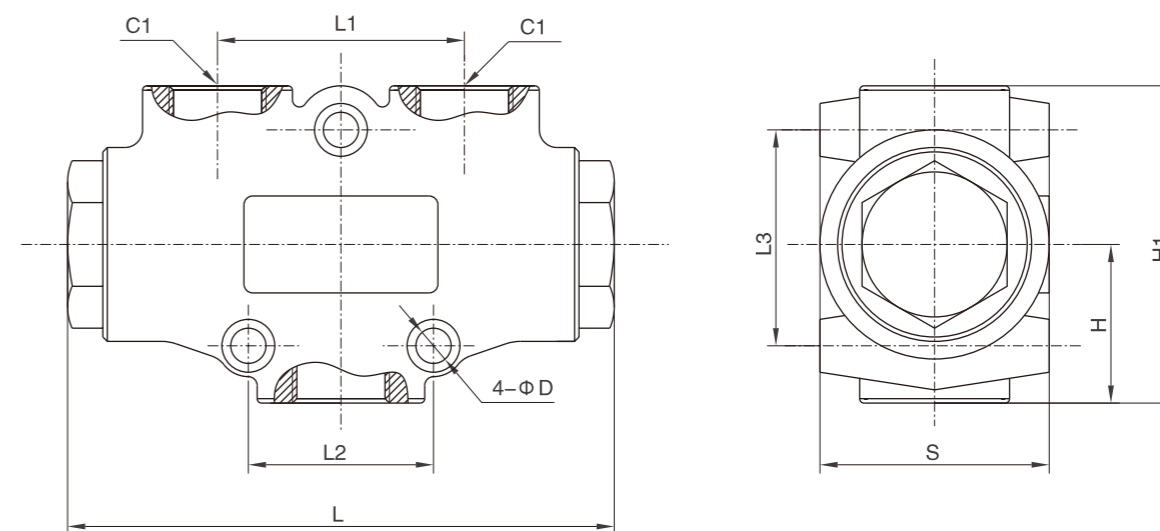
Connect P to pressure flow and A and B to the actuators.

Code symbol



2 Ways Flow Divider

External dimensions



Type	A/B	P	L	L1	L2	L3	D	H	H1	S
HYV-EQ 8	G 3/8"	G 3/8"	117	53	40	45	7	35	68	48
HYV-EQ 10	G 3/8"	G 3/8"	117	53	40	45	7	35	68	48
HYV-EQ 15	G 3/8"	G 3/8"	117	53	40	45	7	35	68	48
HYV-EQ 20	G 3/8"	G 3/8"	117	53	40	45	7	35	68	48
HYV-EQ 22	G 3/8"	G 3/8"	117	53	40	45	7	35	68	48
HYV-EQ 25	G 1/2"	G 3/8"	117	53	40	45	7	35	68	48
HYV-EQ 30	G 1/2"	G 3/8"	117	53	40	45	7	35	68	48
HYV-EQ 50	G 1/2"	G 3/8"	117	53	40	45	7	35	68	48