

Non-adjustable Proportional Flow Dividers

Technical specification



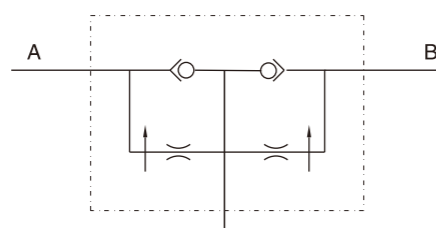
Specification	Z1/2	Z3/4	G1/2	G3/4	SAE10	SAE12
Rated pressure (Bar)	300					
Inlet flow (L/min)	30.2 to 60.5	60.5 to 113.4	30.2 to 60.5	60.5 to 113.4	30.2 to 60.5	60.5 to 113.4

Specification	Z3/8	G3/8
Rated pressure (Bar)	300	
Inlet flow (L/min)	30-60	30-60

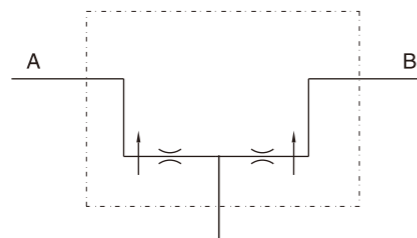
Use and operation:
 it is non-adjustable proportional divider, Flow can travel in reverse through both outlet ports and is not metered when it goes in reverse. The non-metered flow travels past the poppet, down the center of the valve, past the orificed spool and through the inlet. The two outlet flows are pressure compensating and the sum of said flows equals the inlet flow. The ratio of outlet flows must be specified when ordering.

Code symbol

Z1/2 Z3/4 G1/2 G3/4 SAE10 SAE12

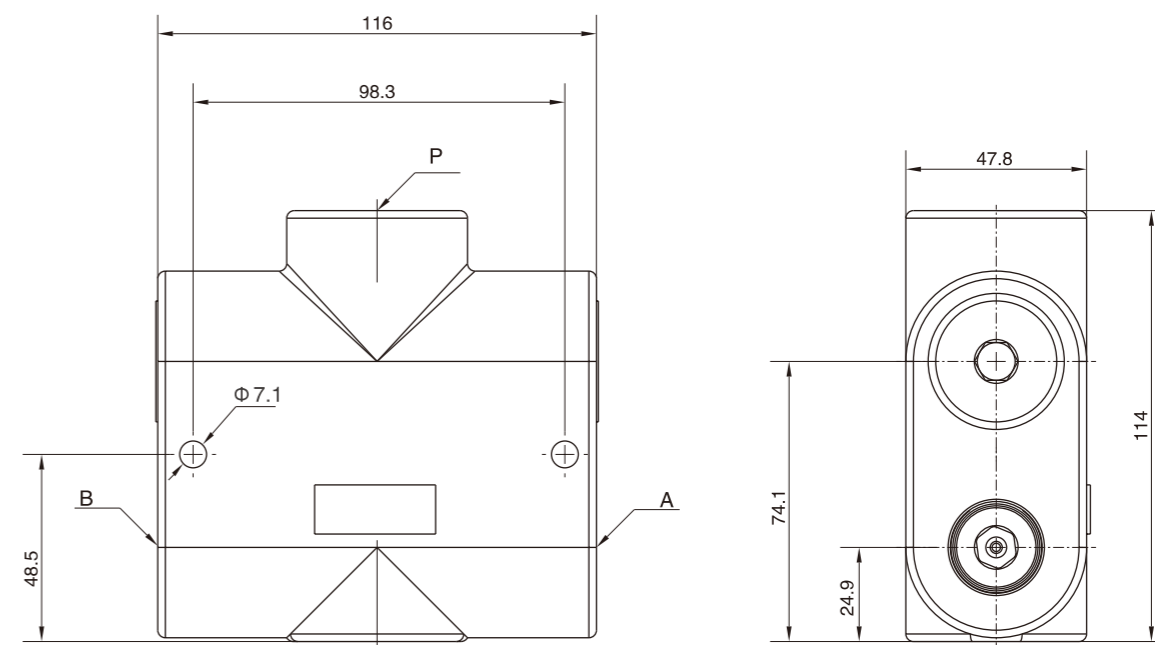


Z3/8 G3/8



Non-adjustable Proportional Flow Dividers

External dimensions



Type	P/A/B
B100 Z1/2	Z 1/2"
B100 Z3/4	Z 3/4"
B100 G1/2	G 1/2"
B100 G3/4	G 3/4"
B100 SAE10	SAE 10
B100 SAE12	SAE 12
B50 Z3/8	Z 3/8 "
B50 G3/8	G 3/8 "