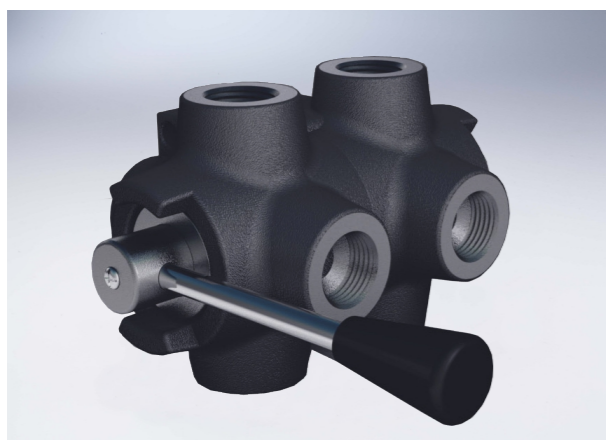


## 6-ways Diverter Valves

### Technical specification



Specification	3/8"	1/2"	3/4"	1"
Max.flow ( L/min )	35	60	100	180
Max pressure (Bar)	250			

#### Use and operation:

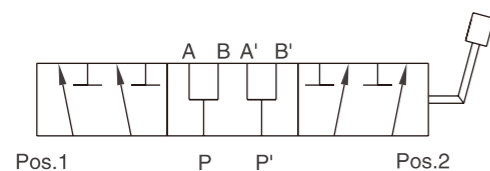
This valve is made up by two 3-ways diverters coupled: each of the 2 parts is used to divert the inlet flow towards two ports. The single lever controls both the parts at the same time. It's ideal to control 2 actuators.

#### Applications:

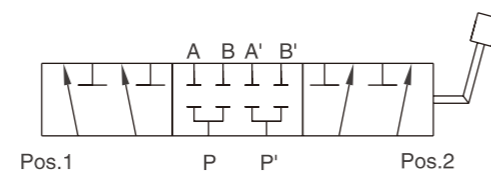
Connect P and P' to the 2 pressure flows, ports A and B to the first actuator and ports A' and B' to the second actuator. With lever in position 1, P is connected to A and P' to A'; with lever in position 2, P is connected to B and P' to B'. With lever in central position all ports are connected among each other (opened centre).

### Code symbol

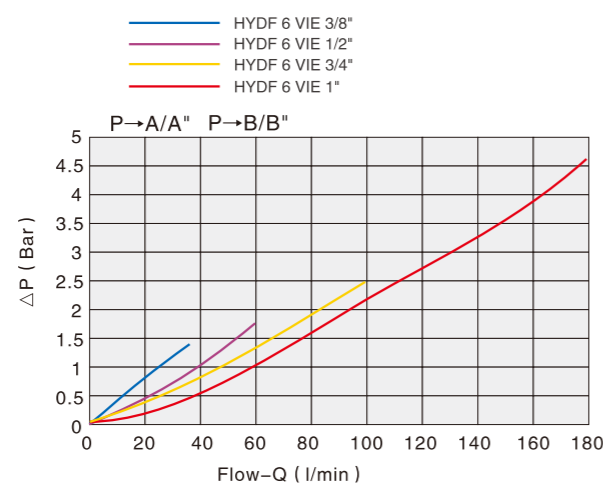
Hydraulic diagram (with closed center)



On/request (with opened center)

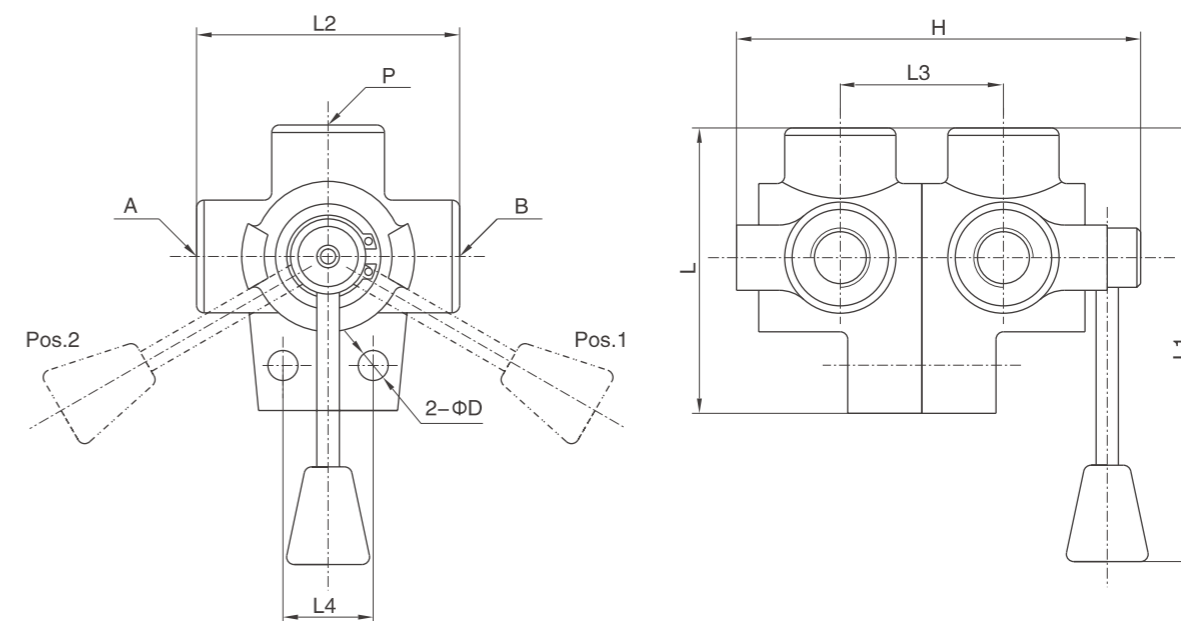


### Pressure drops curve



## 6-ways Diverter Valves

### External dimensions



Type	A/B/P	L	L1	L2	L3	L4	D	H
HYDF 6 VIE 3/8"	G 3/8"	76	140	68	45	26	8.5	117
HYDF 6 VIE 1/2"	G 1/2"	87	145	80	51	32	8.5	125
HYDF 6 VIE 3/4"	G 3/4"	103	150	94	55	32	11	140
HYDF 6 VIE 1"	G 1"	105	152	98	60	32	11	155