

## End Stroke Valves, Normally Opened

### Technical specification



Specification	60	80	120
Max.flow ( L/min )	60	80	120
Max pressure (Bar)	350		

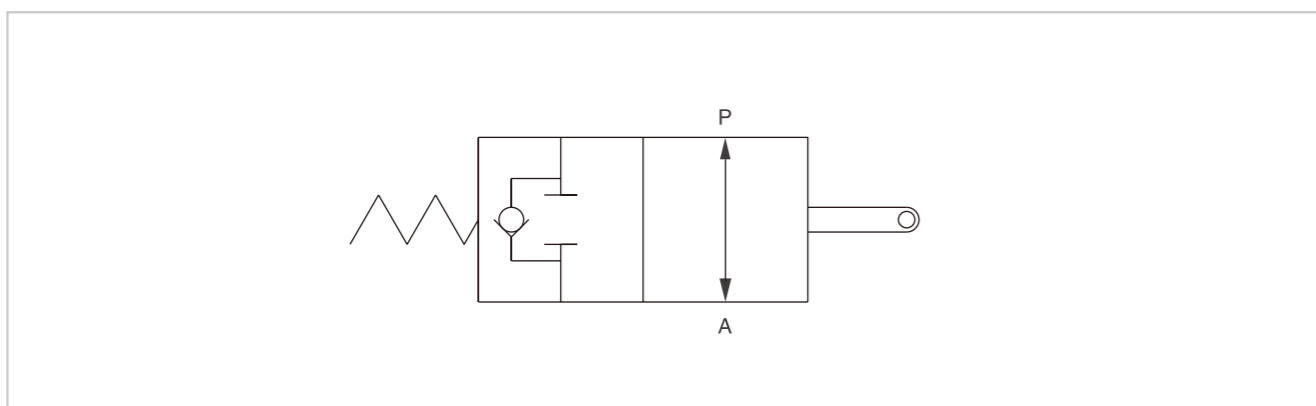
#### Use and operation:

This valve is used to stop oil inlet in a hydraulic circuit or to stop actuator's stroke (normally opened valve). The valve closing, obtained by pulling or pushing the slider, allows an immediate and total stop of the oil flow.

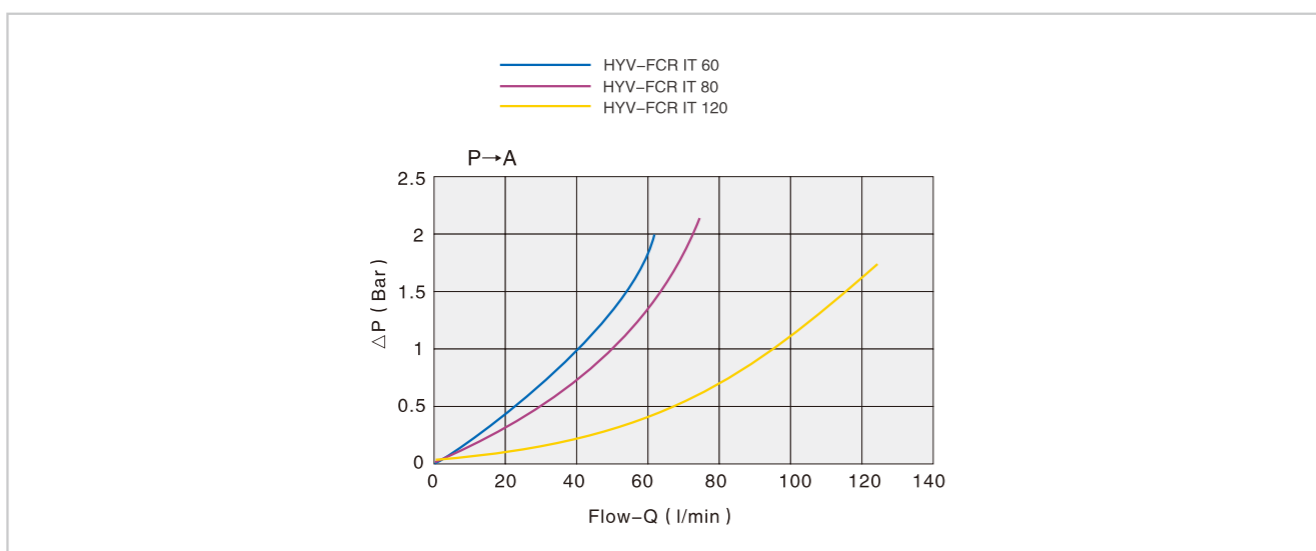
#### Applications:

Connect P to the distributor and A to the circuit or to the actuator. When slider is operating, flow is blocked from P towards A, whilst the check valve enables free oil flow in the reverse direction (from A towards P).

### Code symbol



### Pressure drops curve

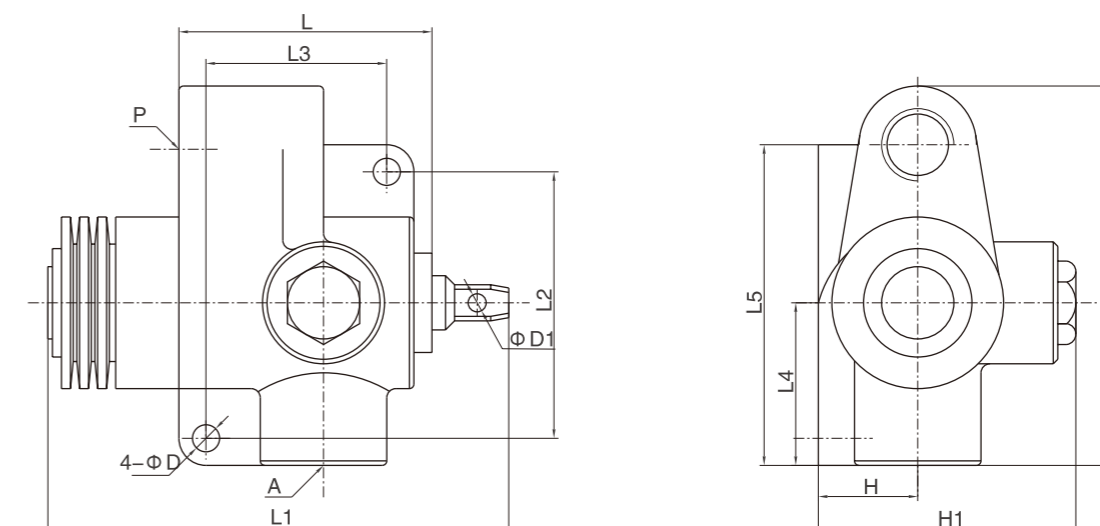


## End Stroke Valves, Normally Opened

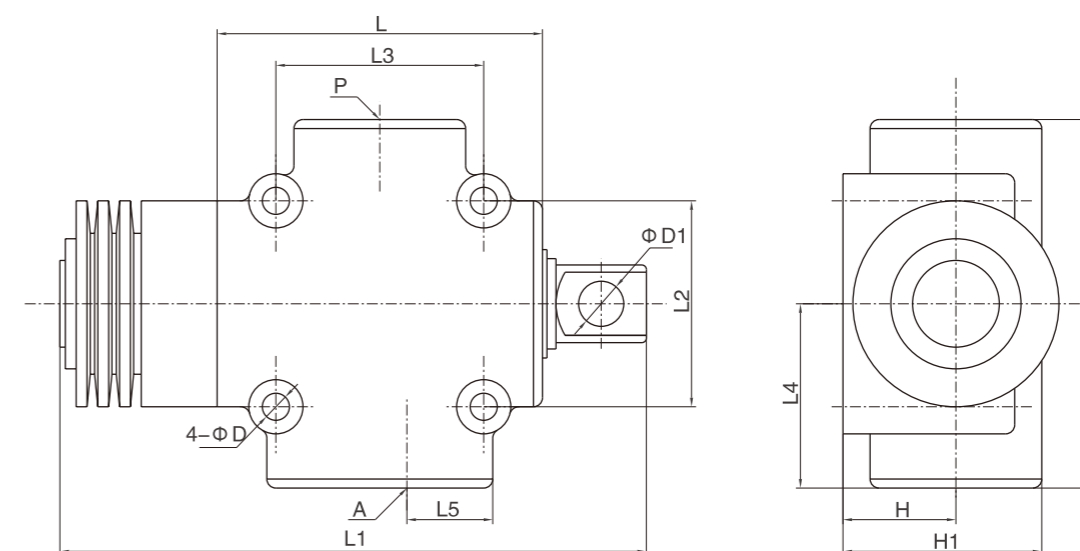
### External dimensions

HYV-FCR IT 60

HYV-FCR IT 80



HYV-FCR IT 120



Type	A/P	L	L1	L2	L3	L4	L5	L6	D	D1	H	H1
HYV-FCR IT 60	G 3/8"	69	130	66	45	45	86	103	8.5	6.5	26	68
HYV-FCR IT 80	G 1/2"	69	130	66	45	45	86	103	8.5	6.5	26	68
HYV-FCR IT 120	G 3/4"	88	173	50	56	46	23.5	92	8.5	13	27.5	50