

Stroke Valve

Technical specification



Model	HYHDI-02 X
Rated pressure (Mpa)	350
Rated flow (L/min)	40
Installation site	Any
Working fluid	Mineral oil, phosphate hydraulic oil
Storage temp (°C)	-20~80
Working temp (°C)	-10~60

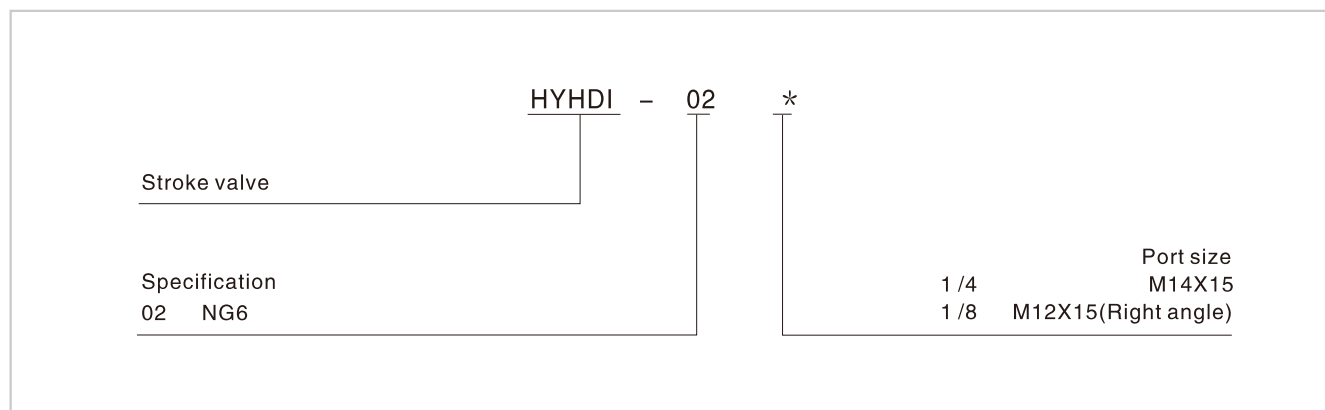
(Please consult with us if your working condition is out of the technical parameter given above.

Usage:

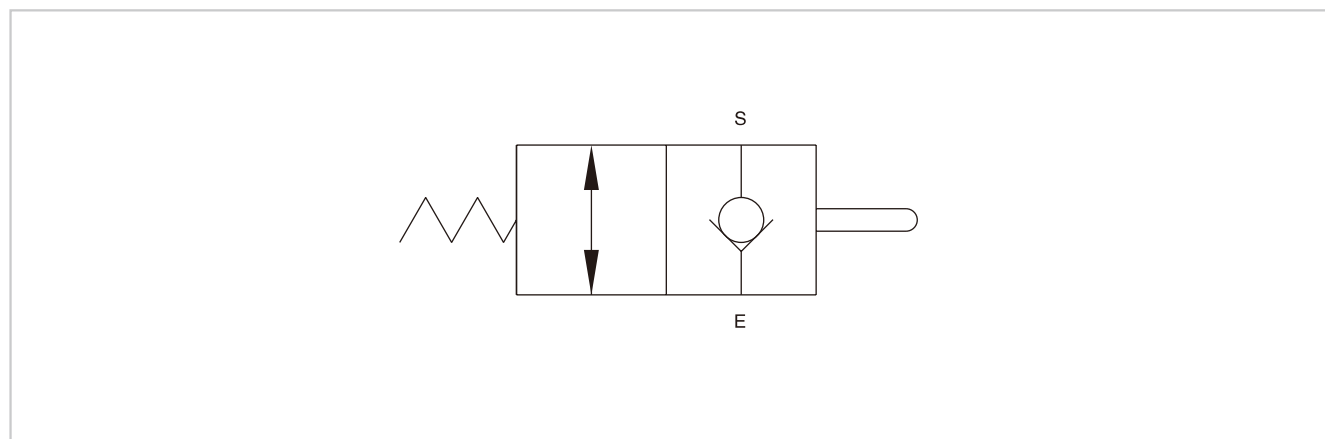
It's used to set the movement sequence of the two cylinders, also can work as on/off valve.

When pressing the pin, E to S, When connecting with the tank directly, connect E to tank, S to circuit needed.

Ordering details

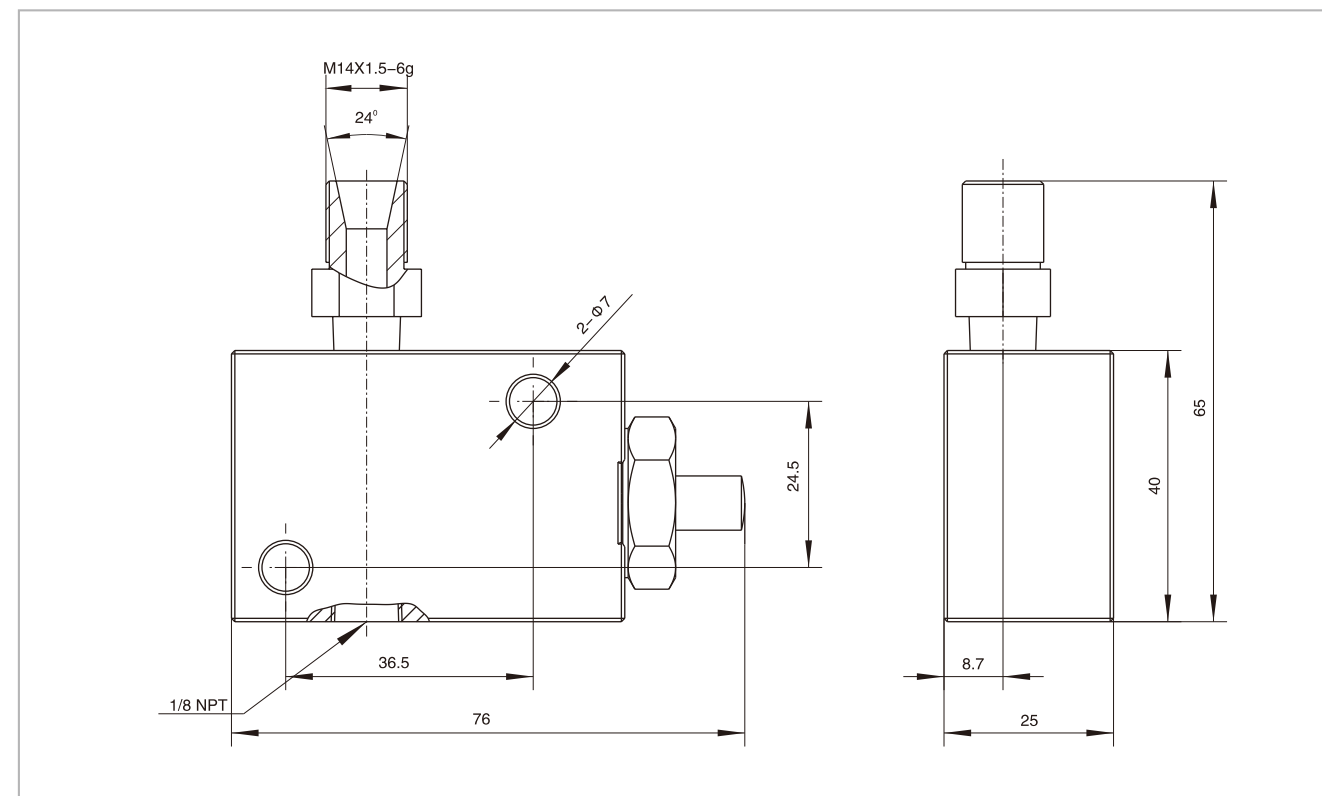


Code symbol



Stroke Valve

HYHDI-02 1/4 External dimensions



HYHDI-02 1/8 External dimensions

