

Press-type Stroke Valve (Normal Open)

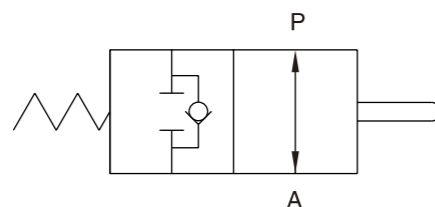
Technical specification



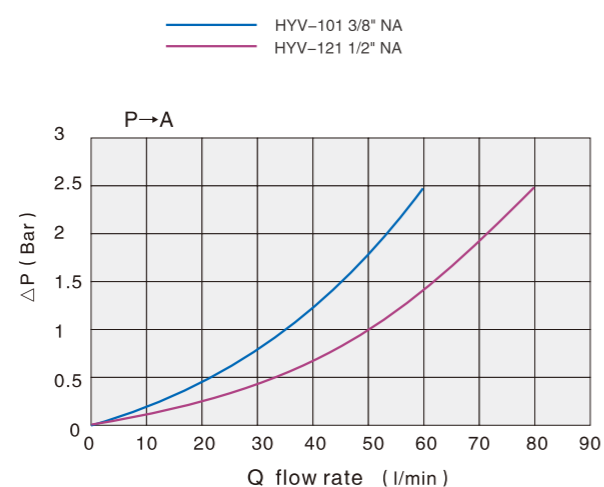
Specification	3/8"NAVU	1/2"NAVU
Max Pressure (MPa)	350	350
Max flow rate (L/min)	35	50

It is used to block the flow in the circuit (normal open). When pressing the button, the valve closed, the flow is blocked. Whereas the fluid flows free. Connect port A to working port, and port P to pressure port.

Code symbol

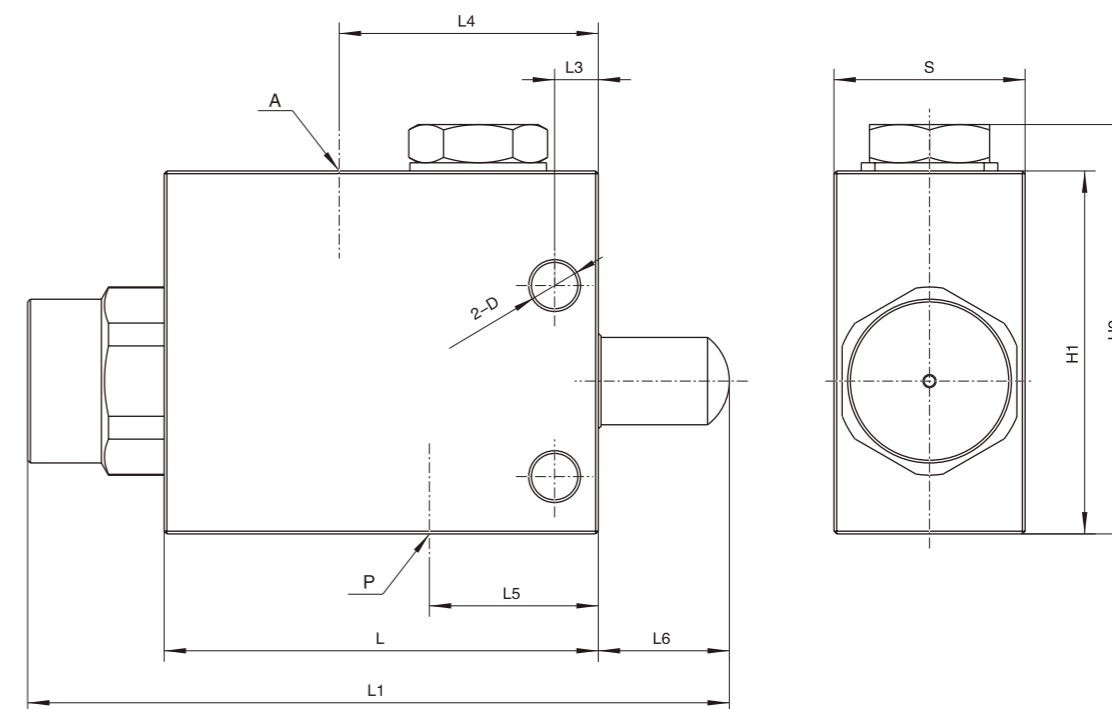


Pressure Drop curve



Press-type Stroke Valve (Normal Open)

Dimension



Model type	A/P	L	L1	L2	L3	L4	L5	L6	D	H1	H2	S
HYV-101 3/8" NAVU	G 3/8"	79.5	128.5	35	8	52	30	24	8.5	66.5	75	35
HYV-101 1/2" NAVU	G 1/2"	79.5	128.5	35	8	52	30	24	8.5	66.5	75	35