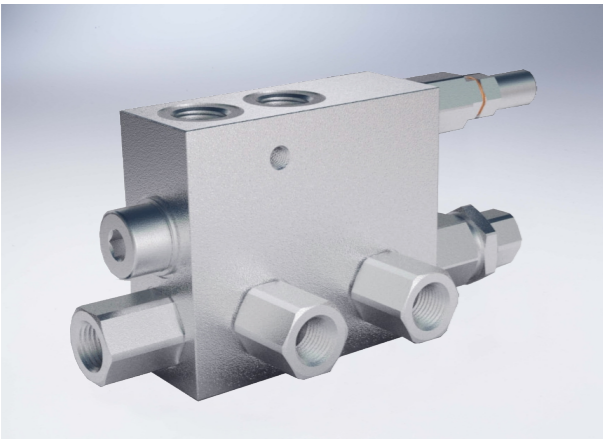


Double Acting Plough Overturning Valve By down Mouldboard Load Shifting

Technical specification

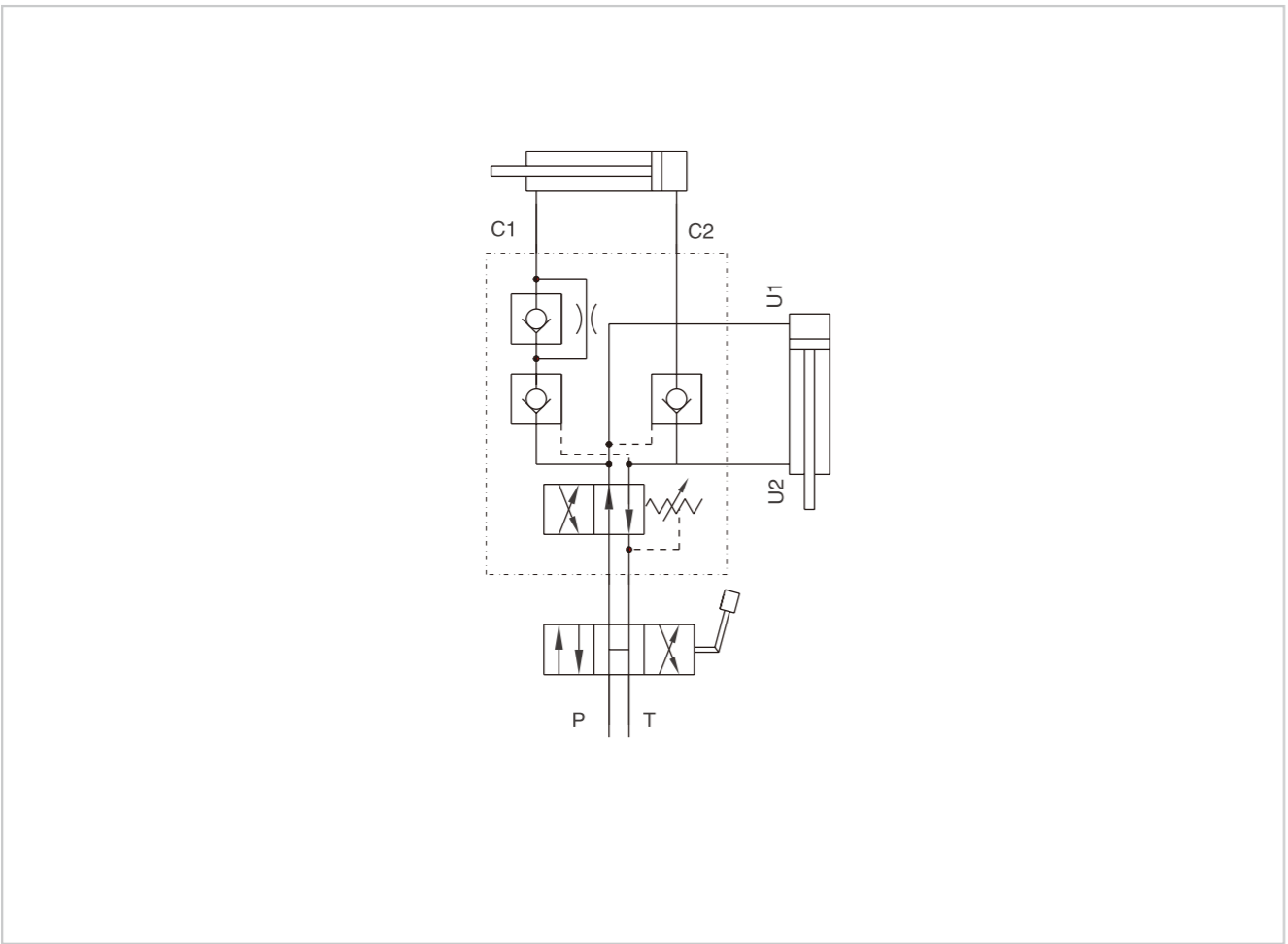


Specification	80/100 SS
Max adjustable pressure (Bar)	250
Max pressure (Bar)	400

Use and operation:
This valve has been realised for use on cylinders for reversible plough to obtain the automatic oil backflow and therefore the motion reversal of the hydraulic cylinder that makes the plough rotating. It has been studied to set in action 2 cylinders with disadvantageous rotation load(see scheme).

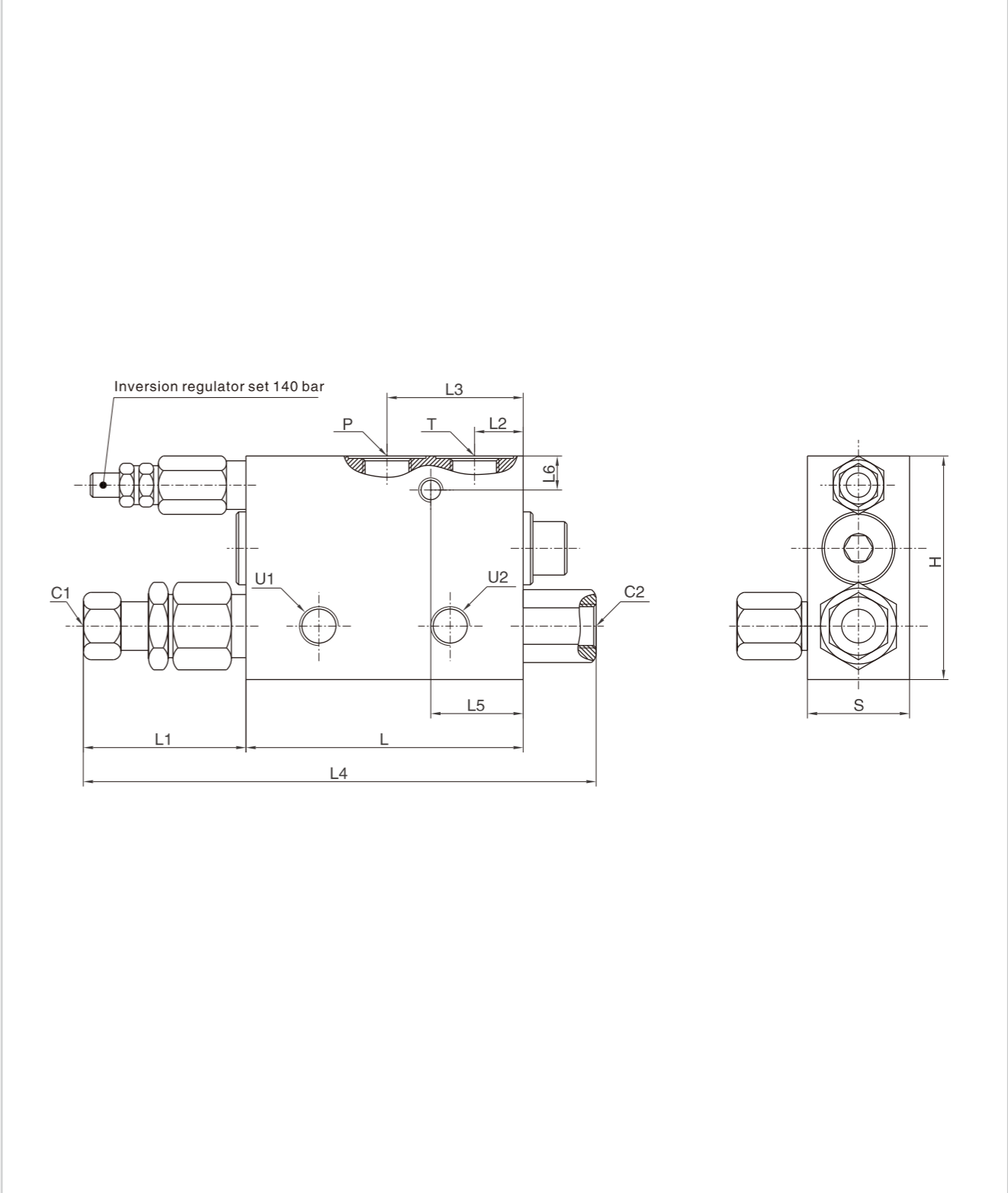
Applications:
Connect C1 to the stem, C2 to the cylinder's block A, U1 to the block and U2 to the stem of the lining up cylinder's B; P and T to the machine inlet. Thanks to its shape, it can be in-line assembled on a hydraulic cylinder or directly fixed on the plough through the threaded hole made on the body.

Code symbol



Double Acting Plough Overturning Valve By down Mouldboard Load Shifting

External dimensions



Type	C2/P/T	C1	L	L1	L2	L3	L4	L5	L6	H	S
HYVRAP 80/100 SS	G 3/8"	Φ12	94	58	16.5	46.5	176	31.5	12.5	80	35