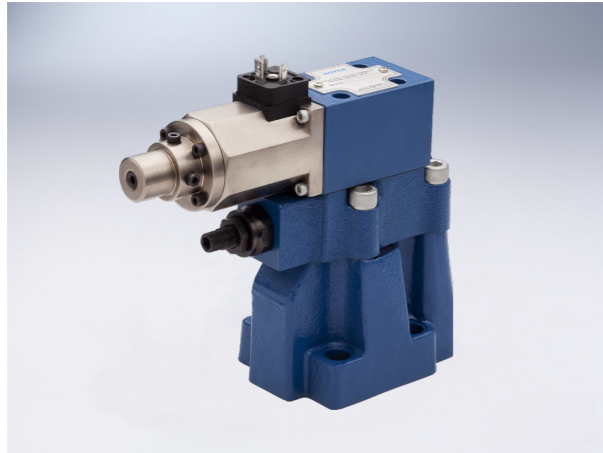


Proportional Pilot-operated Relief Valve (BY)

Technical specification



Specification	03	06	10
Maximum pressure (MPa)	31.5	31.5	31.5
Maximum flow (L/min)	100	200	400
Minimum flow (L/min)	3		
Rated current (mA)	800		
Coil resistance (Ω)	10~19.5		
Hysteresis (%)	< ±1.5		
Repeatability (%)	< ±2		
Cleanliness	Filter is recommended for the highest fluid pollution degree; the lowest specific filtration resistance according to ISO 4406 (C) 20/18/15.		

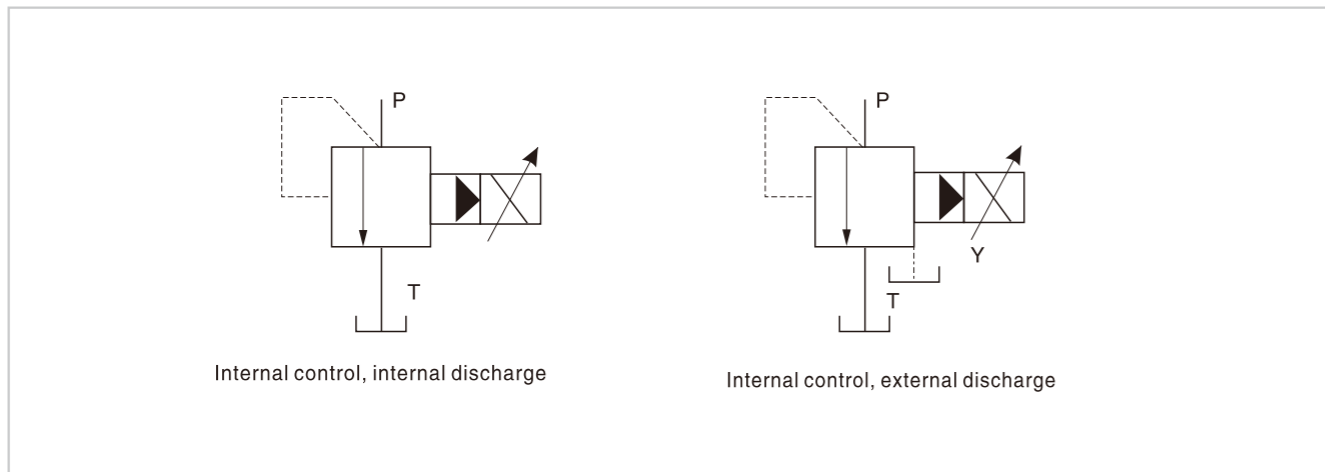
Comprised of proportional directly-operated relief valve, pressure limiting valve and low-noise relief valve.

Model instruction

By - * - * * - 70 *

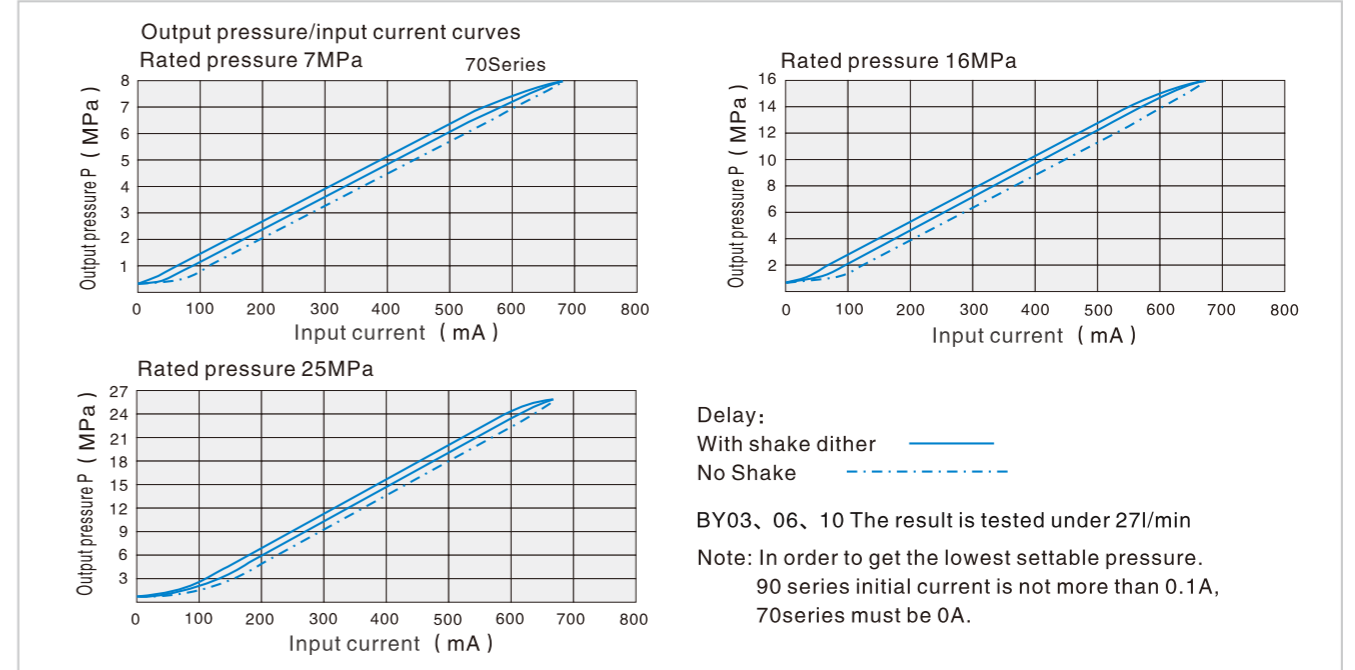
Proportional pilot-operated relief valve							Remarks
Specification 03 DN10 06 DN20 10 DN30							Design serial number
Working pressure: 7 7 MPa 16 16 MPa 25 25 MPa							Control oil Omit intl cntrl intl disch Y intl cntrl extl disch

Code symbol

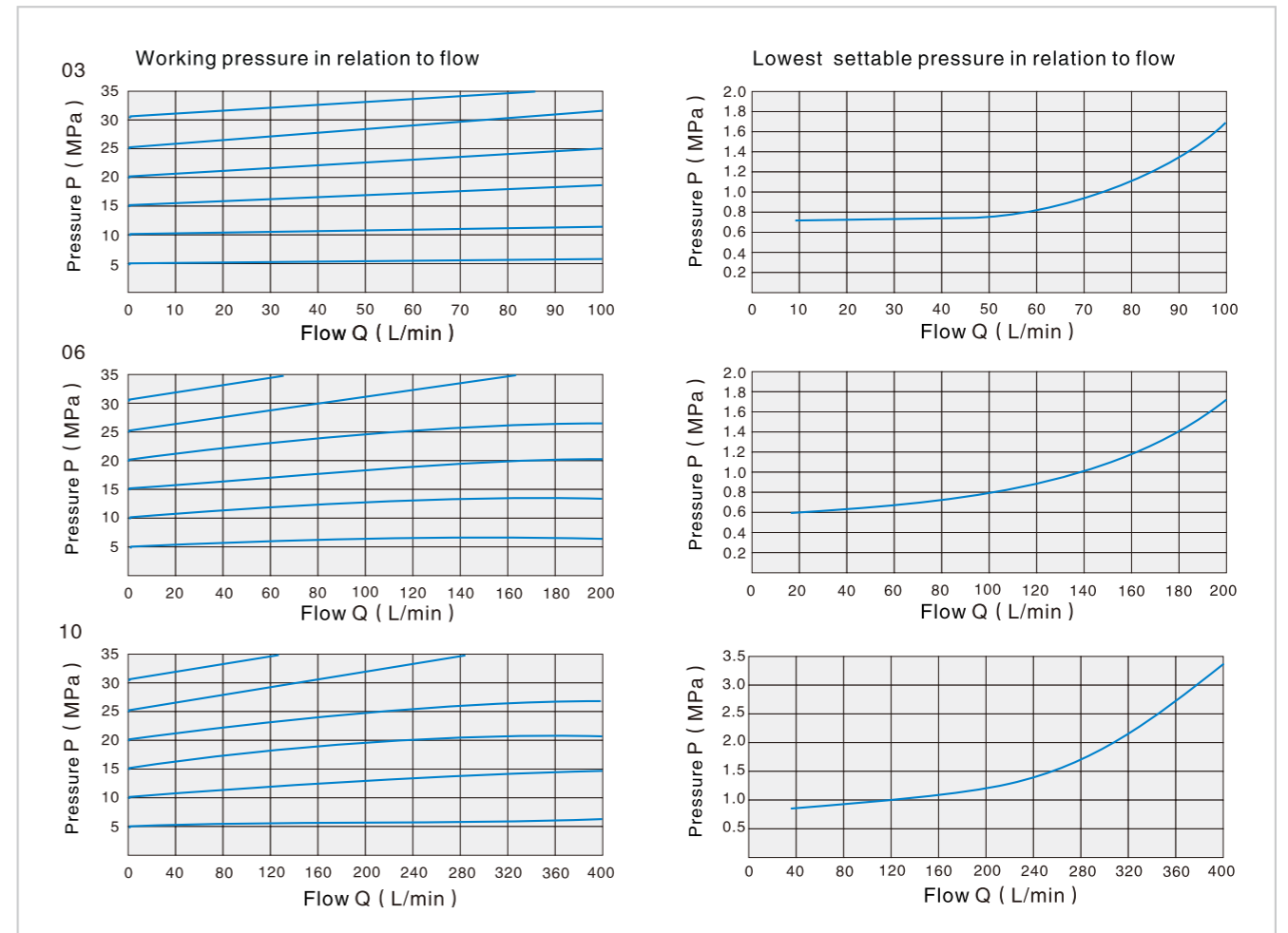


Proportional Pilot-operated Relief Valve (BY)

03、06、10 Model characteristic curves (Testing Condition $v=36 \times 10^{-6} \text{m}^2/\text{S}$ $t=50^\circ\text{C}$)



Characteristic curves (Testing Condition $v=36 \times 10^{-6} \text{m}^2/\text{S}$ $t=50^\circ\text{C}$)



Proportional Pilot-operated Relief Valve (BY)

External dimensions

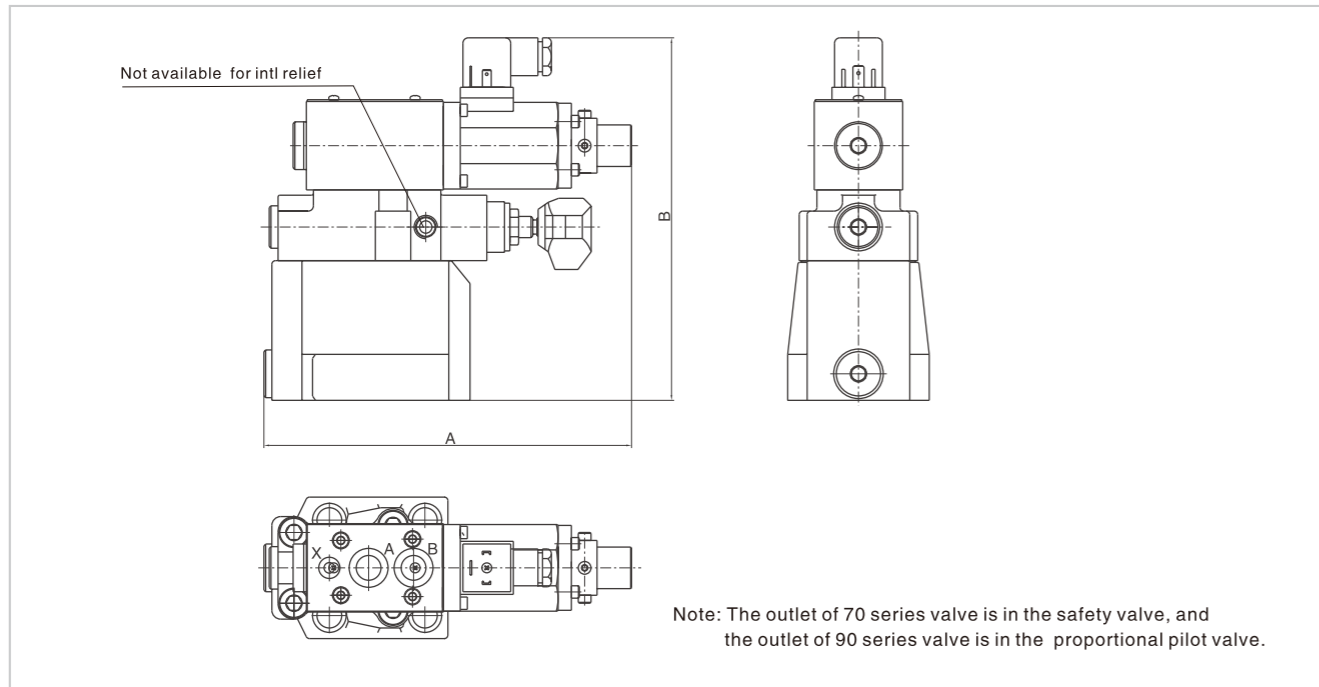
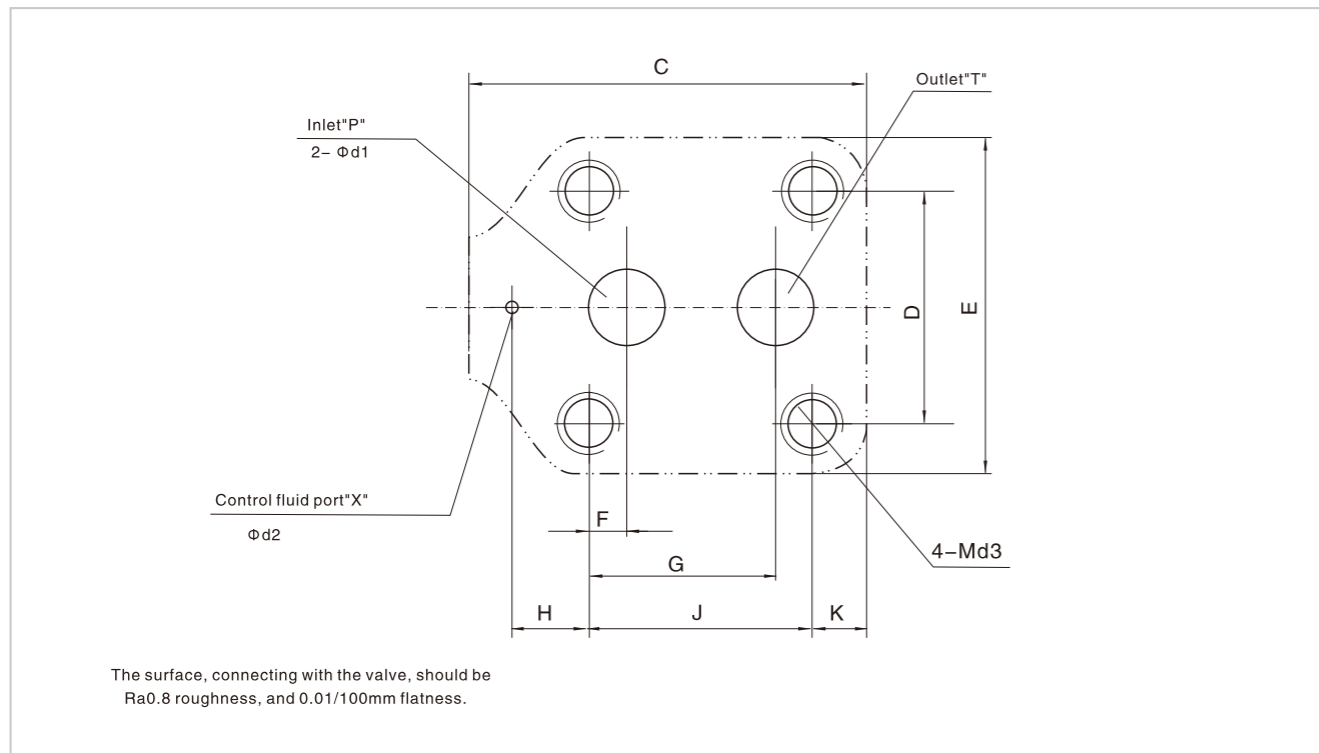


Plate size

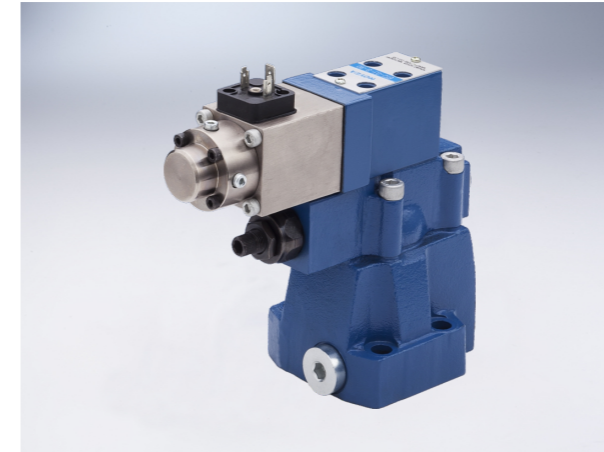


Specification	A	B	C	D	E	F	G	H	J	K	d1	d2	d3
BY-03	197	193	112	54	80	22.2	47.6	0	54	25.8	12	6	12
BY-06	197	197	119	69.8	102	11.1	55.6	23.8	66.7	16.3	25	6	16
BY-10	197	200	150	82.5	116	12.7	76.2	31.7	89	18	32	6	18

Attention: set the deflate hole upward to exhaust air from the pipe

Proportional Pilot-operated Pressure Reducing Valve (BYJ)

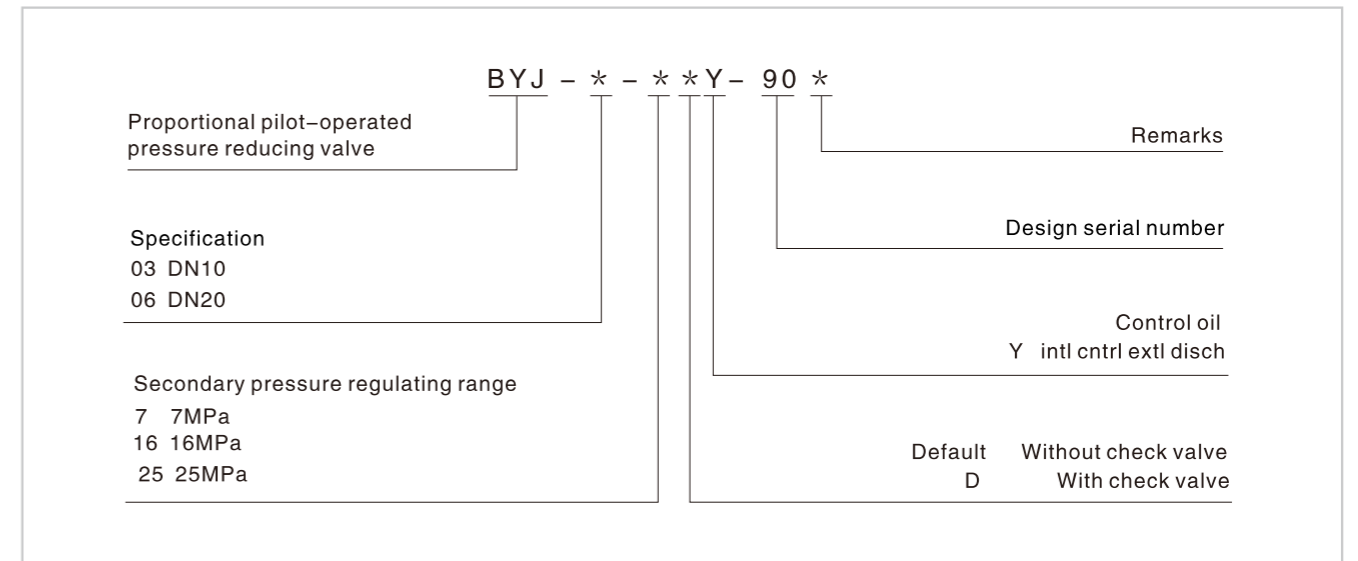
Technical specification



Specification	03	06
Maximum pressure (MPa)	31.5	31.5
Maximum flow (l/min)	80	200
Secondary pressure Regulating range (MPa)	See model description	
Rated current (mA)	800	
Coil resistance (Ω)	19.5	
Hysteresis (%)	< ± 2.5	
Repeatability (%)	< ± 2	
Cleanliness	Filter is recommended for the highest fluid pollution degree; the lowest specific filtration resistance according to ISO 4406 (C) 20/18/15.	

Comprised of proportional directly-operated relief valve, pressure limiting valve and reducing valve, this product controls a secondary pressure from the system pressure according to value of input current.

Model instruction



Code symbol

