

Proportional Pilot-operated Relief Valve (BY)

External dimensions

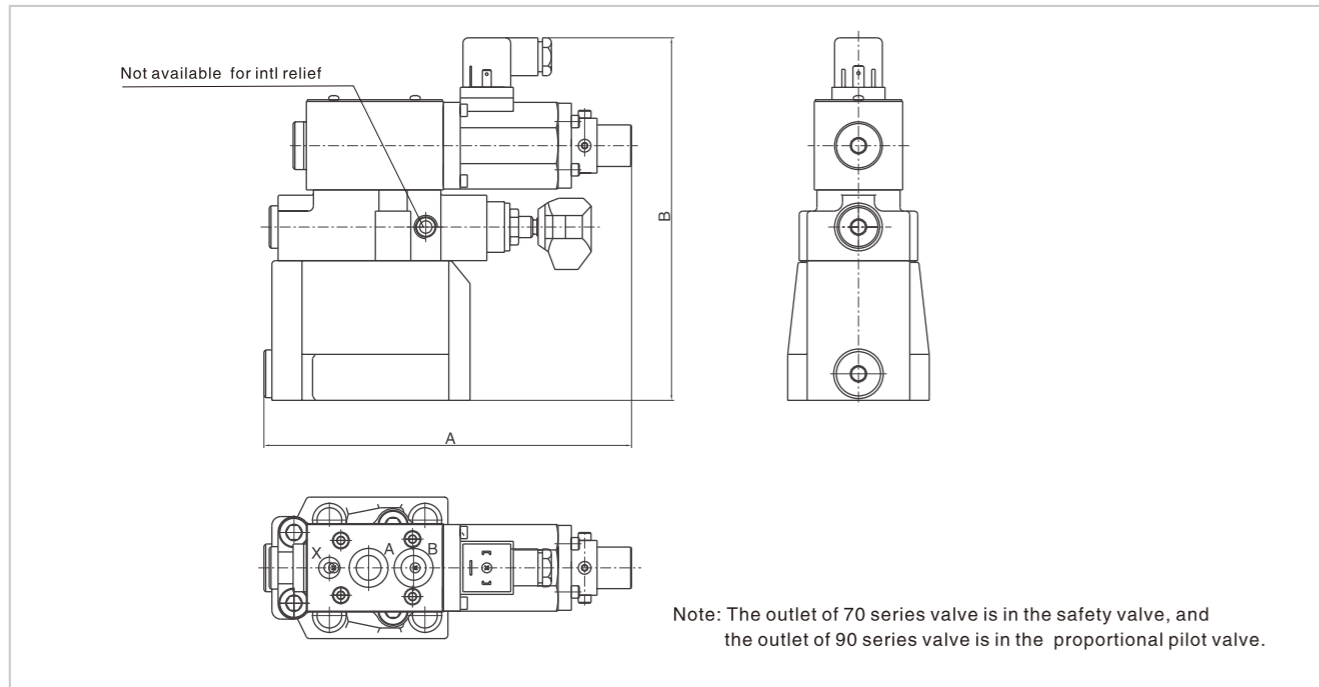
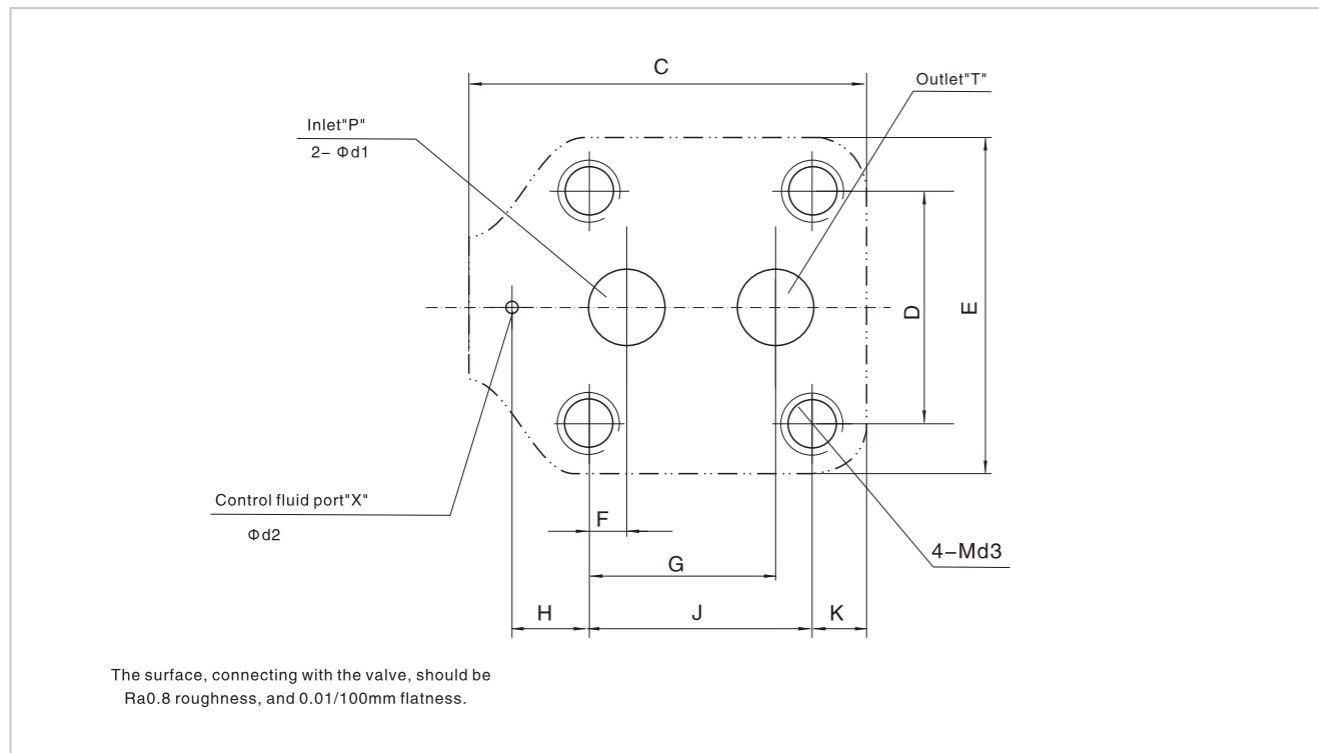


Plate size

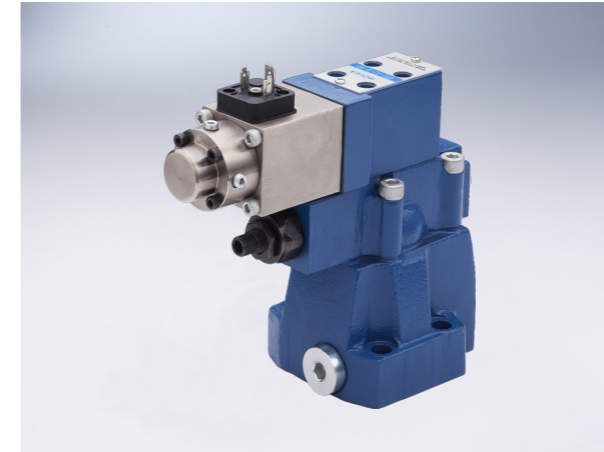


Specification	A	B	C	D	E	F	G	H	J	K	d1	d2	d3
BY-03	197	193	112	54	80	22.2	47.6	0	54	25.8	12	6	12
BY-06	197	197	119	69.8	102	11.1	55.6	23.8	66.7	16.3	25	6	16
BY-10	197	200	150	82.5	116	12.7	76.2	31.7	89	18	32	6	18

Attention: set the deflate hole upward to exhaust air from the pipe

Proportional Pilot-operated Pressure Reducing Valve (BYJ)

Technical specification



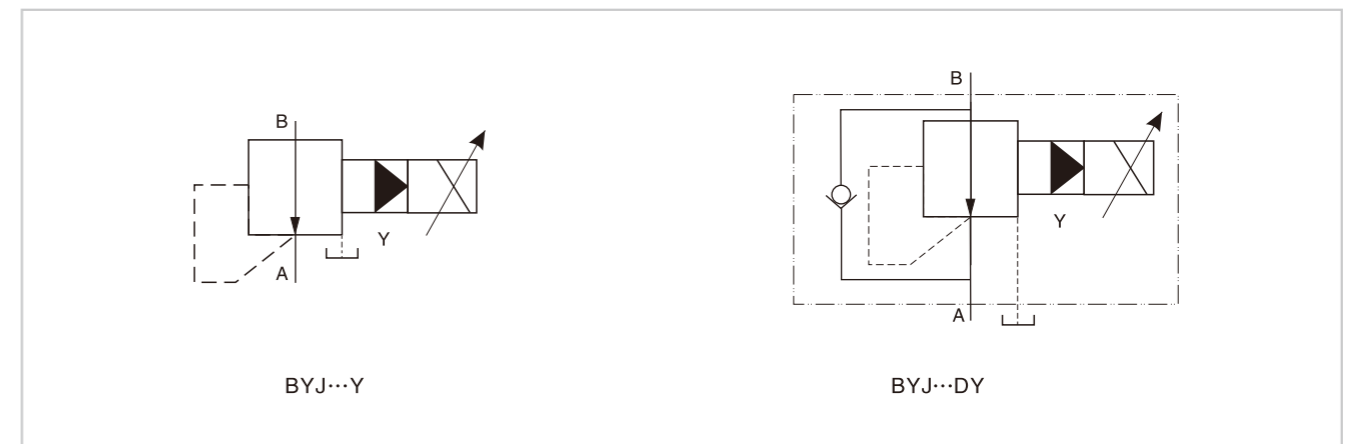
Specification	03	06
Maximum pressure (MPa)	31.5	31.5
Maximum flow (l/min)	80	200
Secondary pressure Regulating range (MPa)	See model description	
Rated current (mA)	800	
Coil resistance (Ω)	19.5	
Hysteresis (%)	< ± 2.5	
Repeatability (%)	< ± 2	
Cleanliness	Filter is recommended for the highest fluid pollution degree; the lowest specific filtration resistance according to ISO 4406 (C) 20/18/15.	

Comprised of proportional directly-operated relief valve, pressure limiting valve and reducing valve, this product controls a secondary pressure from the system pressure according to value of input current.

Model instruction

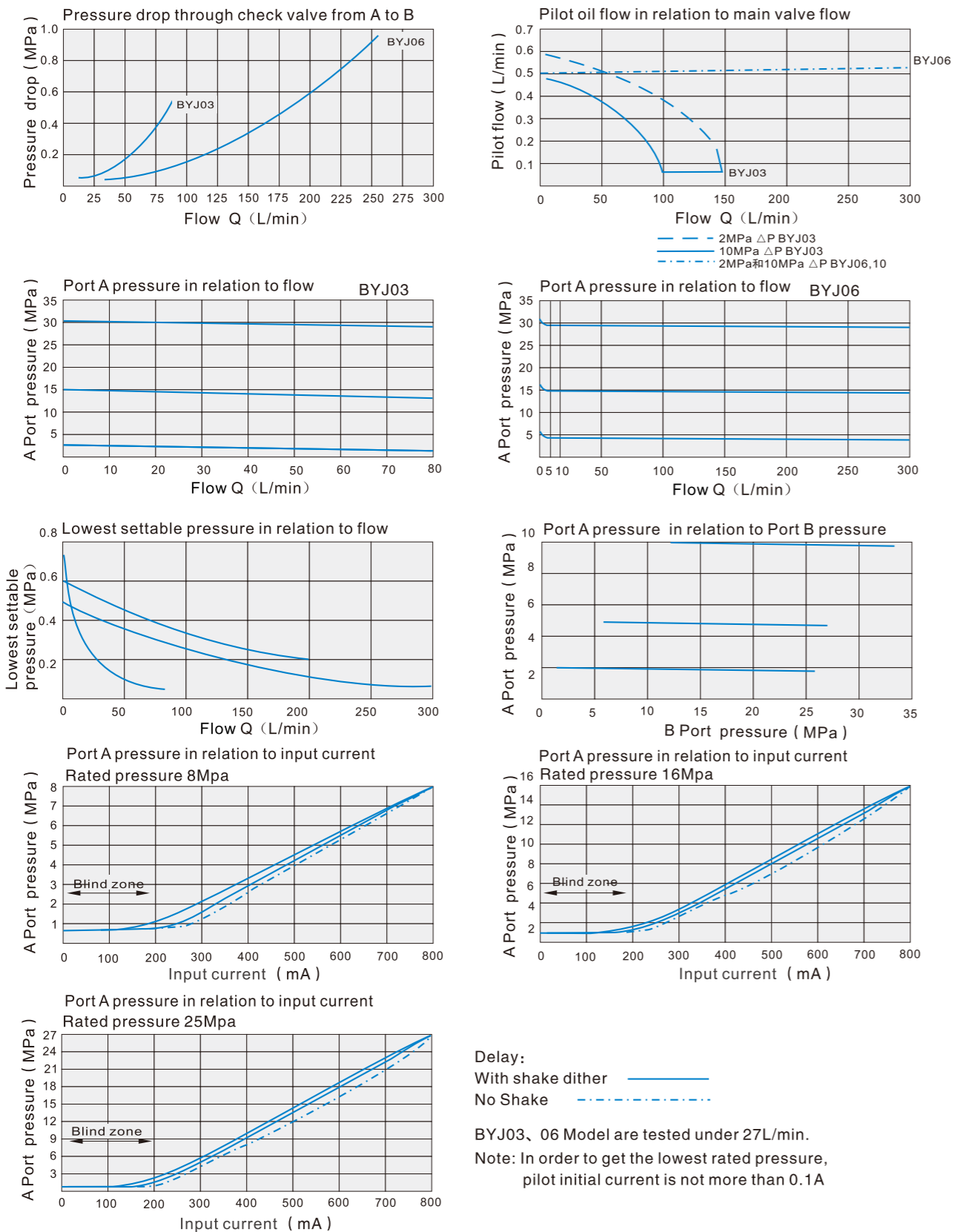
BYJ - * - * * Y - 90 *		Remarks
Proportional pilot-operated pressure reducing valve		
Specification 03 DN10 06 DN20		Design serial number
Secondary pressure regulating range 7 7MPa 16 16MPa 25 25MPa		Control oil Y intl cntrl extl disch
	Default D	Without check valve With check valve

Code symbol



Proportional Pilot-operated Pressure Reducing Valve (BYJ)

03、06、10 Model characteristic curves (Measured at $\nu=36 \times 10^{-6} \text{m}^2/\text{S}$ $t=50^\circ\text{C}$)



Proportional Pilot-operated Pressure Reducing Valve (BYJ)

External dimensions

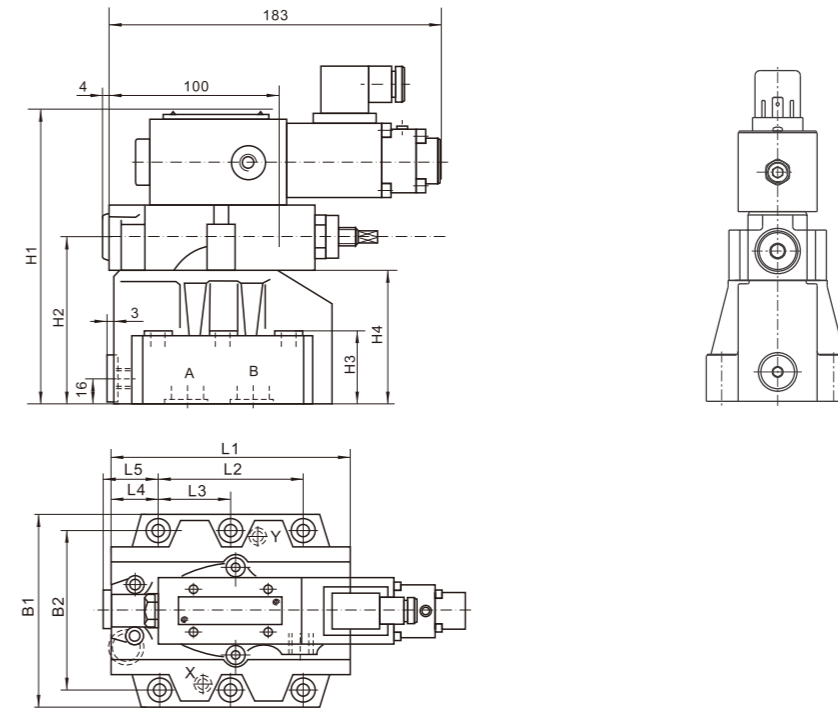
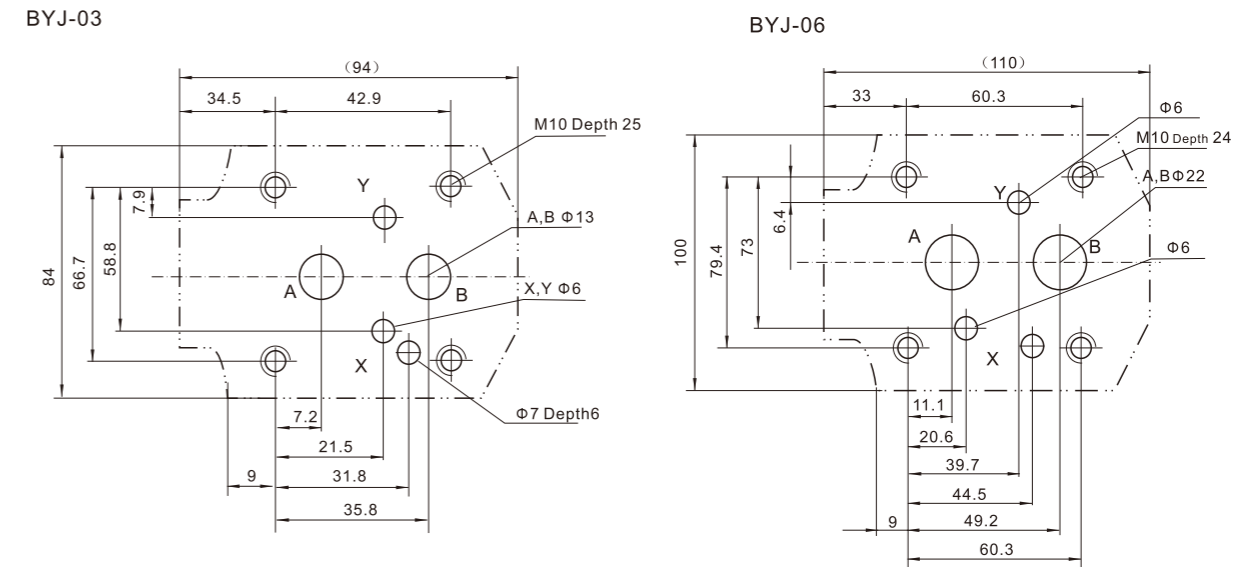


Plate size



The surface, connecting with the valve, should be Ra0.8 roughness, and 0.01/100mm flatness.

Specification	B1	B2	H1	H2	H3	H4	L1	L2	L3	L4	L5
BYJ-03	85	66.7	190	92	28	72	90	42.9	-	35.5	34.5
BYJ-06	102	79.4	200	102	38	82	112	60.3	-	33.5	37