

Sequence Valve

Technical specification



Specification	03	06	10
Max. working pressure (MPa)	31.5		
Max. Flow (L/min)	250	500	600
Working fluid	Mineral oil;phosphate-ester		
Fluid temp. (°C)	-20~70		
Viscosity (mm ² /s)	12~380		
Working press (MPa)	5	10	20 31.5
Cleanliness	The maximum allowable cleanliness of the oil should be according to 9th degree of Standard NAS1638.It is suggested that the minimum filter rating should be β 10≥75.		

YS pilot-operated sequence valve is used to control action sequence of actuators in hydraulic systems so as to achieve automatic control. By changing the control mode, it can serve as back pressure valve, unload valve, bypass valve and sequence valve. In addition, an internal supply internal discharge or an external supply internal discharge sequence valve can also be used as a balance valve if it includes a check valve.

Model description

YS * - * - * * - * * / * * 50 *

Sequence valve

Pilot operated valve
Omit Pilot operated without main cartridge (not marked diameter)
C Pilot operated with main cartridge (marked diameter)

Specification
03 DN10
06 DN20
10 DN30

Working press
5 to5MPa
10 to10MPa
20 to20MPa
31.5 to 31.5MPa
35 to 35MPa

Omit Without check valve
D With check valve

Remarks

Serial number

Seal material
Omit NBR Seals
V FPM Seals

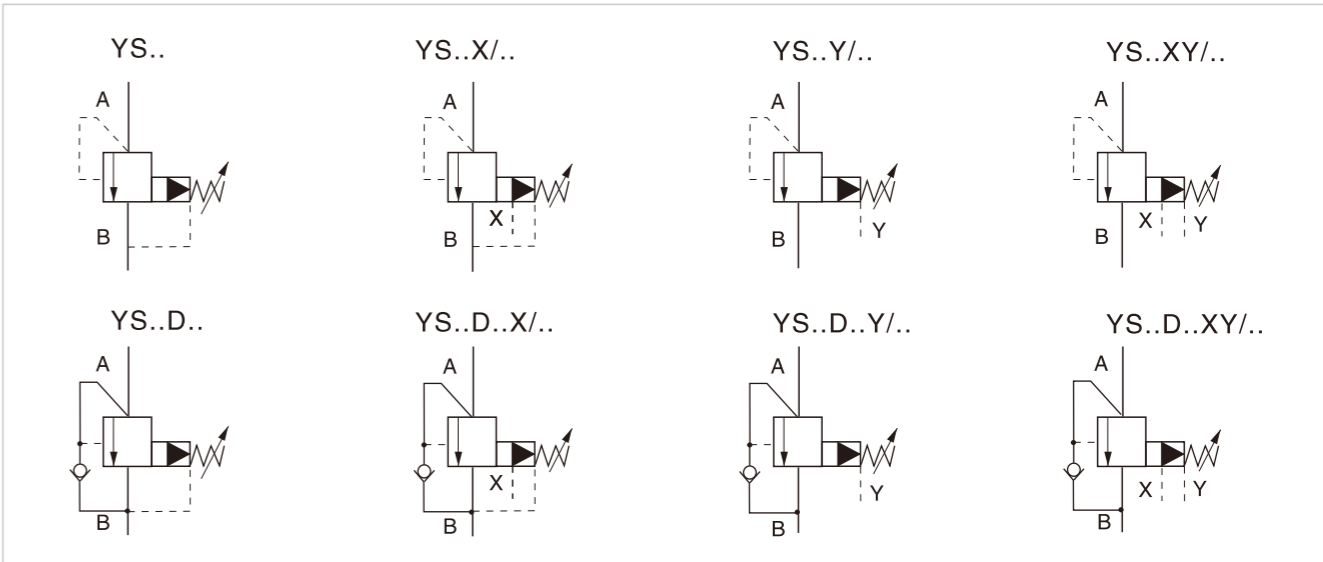
Pilot operated drainage port thread
Omit G1/4"
M M14X1.5

Omit Intl cntrl intl disch
X Extl cntrl intl disch
Y Intl cntrl extl disch
XY Extl cntrl extl disch

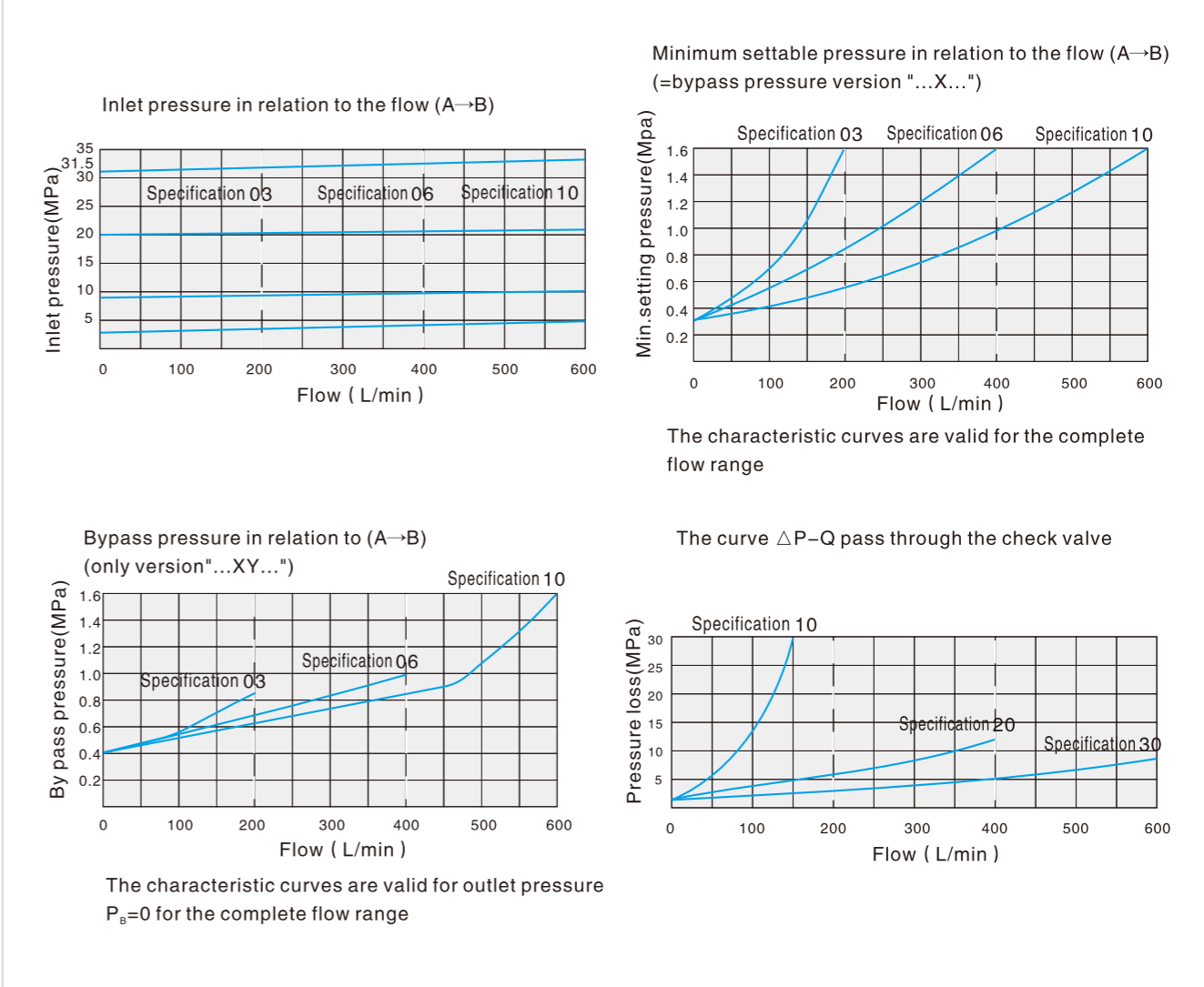
1 Rotary knob
2 Sleeve with hexagon and protective cap

Sequence Valve

Code symbol

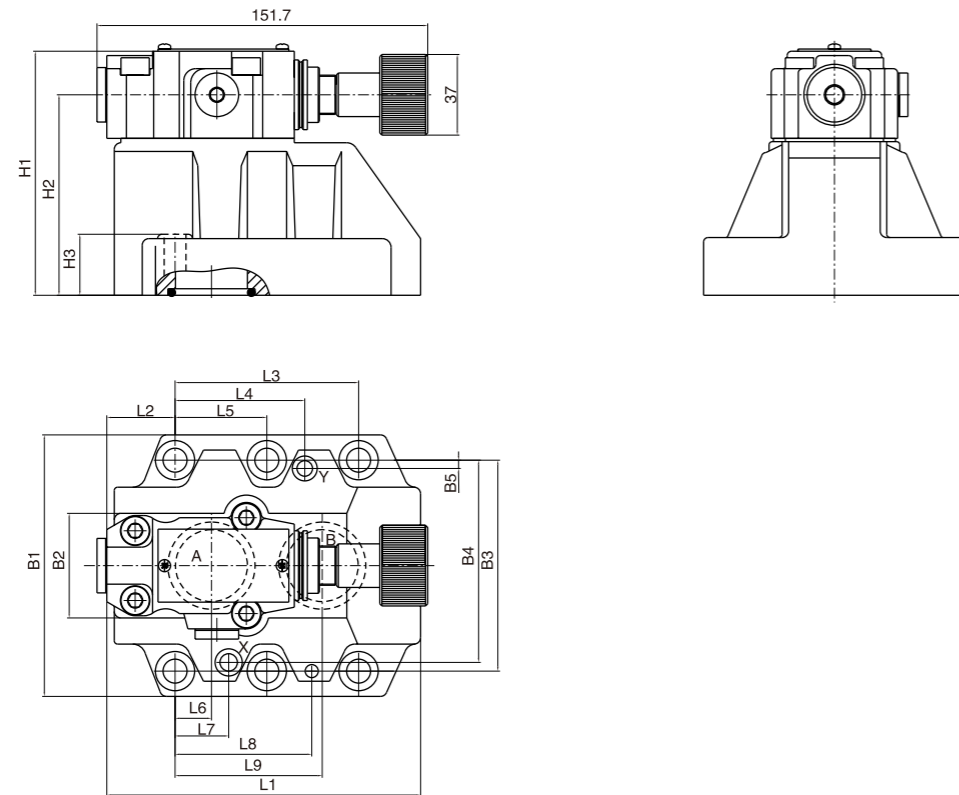


Performance curve (Measured at: Test under $\nu=41\text{mm}^2/\text{s}$ and $t=50^\circ\text{C}$)

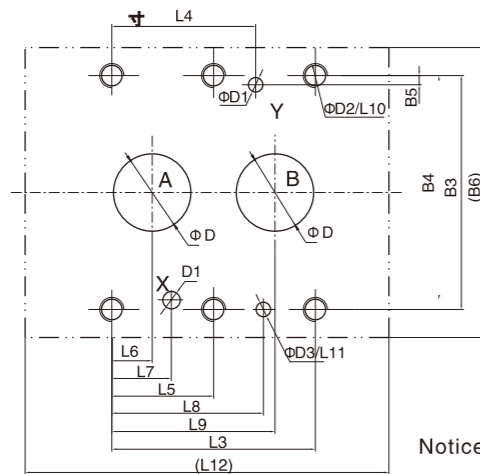


Sequence Valve

External dimensions



Subplate mounting size



Notice: The surface, connecting with the valve, should be Ra0.8 roughness, and 0.01/100mm flatness.

Specification	Mounting screw	Tighten torque
YS-03	4-M10x50-10.9	75Nm
YS-06	4-M10x60-10.9	75Nm
YS-10	6-M10x70-10.9	75Nm

Model	L1	L2	L3	L4	L5	L6	L7	L8	L9	L10	L11	L12	B1	B2	B3	B4	B5	B6	H1	H2	H3	D	D1	D2	D3
YS-03	96	35.5	42.9	21.5	-	7.2	21.5	31.5	35.8	23	6	98	85	80	66.7	58.8	7.9	87	112	92	28	12	6	M10	7
YS-06	116	37.5	60.3	39.7	-	11.1	20.6	44.5	49.2	24	6	118	102	59.5	79.4	73	6.4	104	122	102	38	25	6	M10	7
YS-10	145	33	84.2	59.5	42.1	16.7	24.6	62.7	67.5	25	6	147	120	76	96.8	92.8	3.8	149	130	110	46	32	6	M10	7

Unloading Relief Valve

Technical specification



Specification	03	06	10	
Max. working pressure (MPa)	31.5			
Max. Flow (L/min)	10%	40	80	120
	7%	60	120	240
Working fluid	Mineral oil;phosphate-ester			
Fluid temp. (°C)	-20~70			
Viscosity (mm ² /s)	12~380			
Working press (MPa)	5	10	20	31.5
Cleanliness	The maximum allowable cleanliness of the oil should be according to 9th degree of Standard NAS1638.It is suggested that the minimum filter rating should be β 10≥75.			

YX/YXW valve is a pilot-operated unloading valve. Its function is to switch two situations in hydraulic system, by adjusting handle to set the working pressure or unloading pressure. Pump will be unloading automatically by controlling electrical magnetic.

Model description

YX * * - * - * * - * * / * * * * / * / * * 50 *

Unloading Relief Valve

Omit without solenoids directional valve
W With solenoids directional valve

Pilot operated valve
Omit Pilot operated without main cartridge (not marked diameter)
C Pilot operated with main cartridge (marked diameter)

Specification
03 DN10
06 DN20
10 DN30

Working pressure
5 to 5MPa
10 to 10MPa
20 to 20MPa
31.5 to 31.5MPa

A Always closed¹⁾
B Always open

1 Rotary knob
2 Sleeve with hexagon and protective cap

Omit Intl cntrl intl disch
Y Intl cntrl extl disch

Remarks
Serial number
Seal material
Omit NBR Seals
V FPM Seals
Pilot operated drainage port thread
Omit G1/4"
M M14X1.5
Omit No damping²⁾
08 Φ0.8 Damping
10 Φ1.0 Damping
12 Φ1.2 Damping
Omit without push rod emergency³⁾
N9 with concealed push rod emergency
Z5L Square connector with light⁴⁾
Working voltage⁵⁾
D12 DC12V
D24 DC24V
A110 AC110V
A220 AC220V
B110 (A110V Rectified)
B220 (A220V Rectified)
Switching differential pressure (P→A)
10 on average
17 on average

Explanation: 1. 1),2),3),4),5)is used in YXW solenoids relief valves
2. 2) damping is fixed at the B oil port of the solenoids directional valves