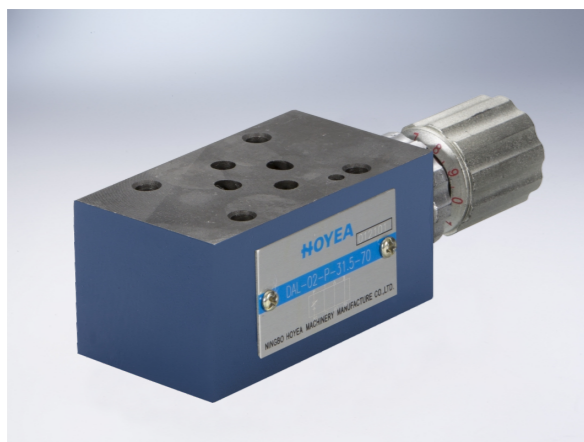


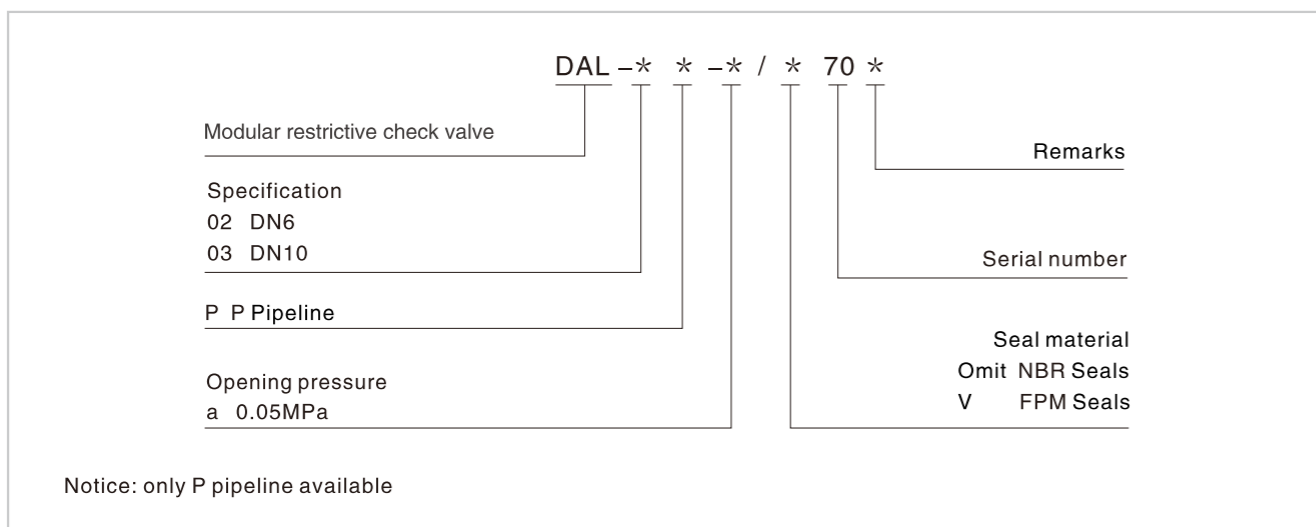
Modular Restrictive Check Valve

Technical specification

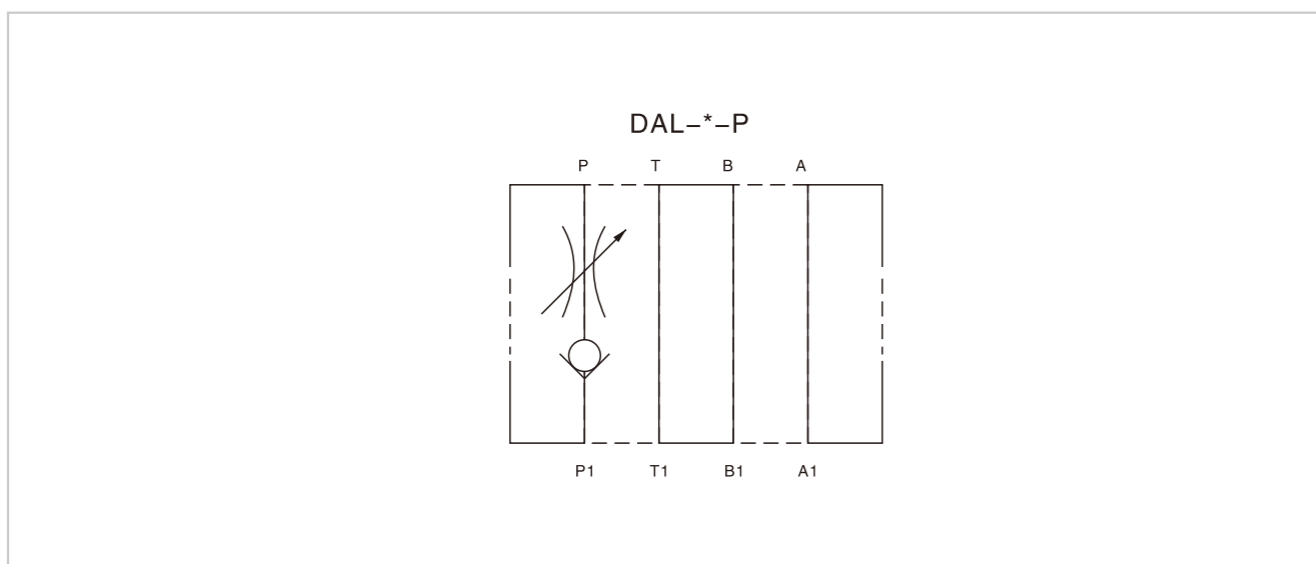


Specification	02	03
Max.pressure (MPa)	31.5	
Max.flow (L/min)	30	50
Hydraulic fluid	Mineral oil;phosphate-ester	
Fluid temp (°C)	-20~70	
Viscosity (mm ² /s)	2.8~380	
Opening pressure (MPa)	a: 0.05	
Cleanliness	The maximum allowable cleanliness of the oil should be according to 9th degree of Standard NAS1638.It is suggested that the minimum filter rating should be β 10≥75.	

Model instruction



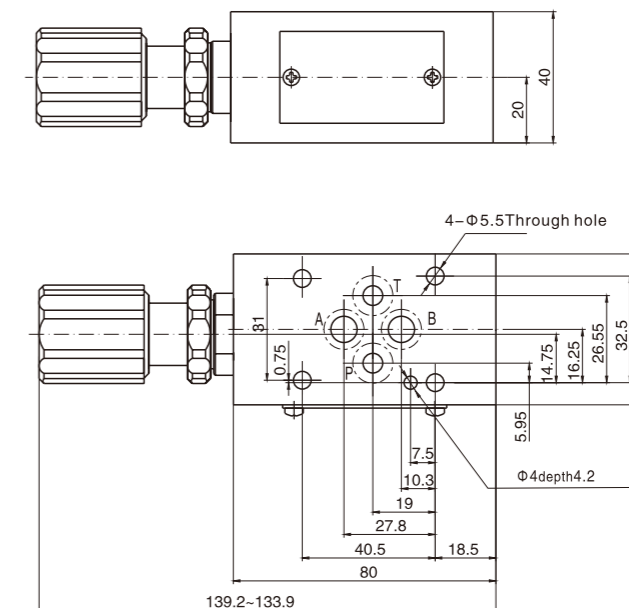
Code symbol



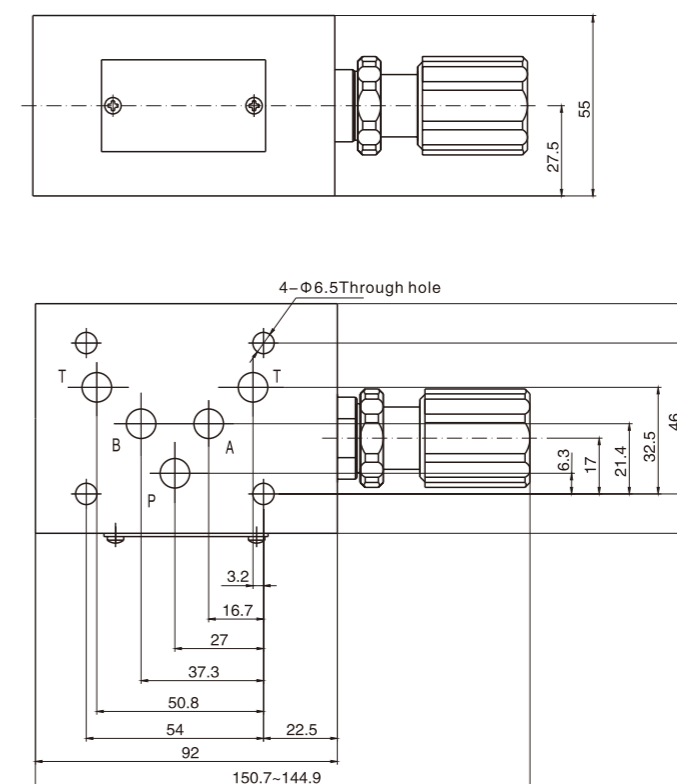
Modular Restrictive Check Valve

External dimensions

DAL-02-P ...



DAL-03-P ...



Notice: The surface, connecting with the valve, should be Ra0.8 roughness, and 0.01/100mm flatness.