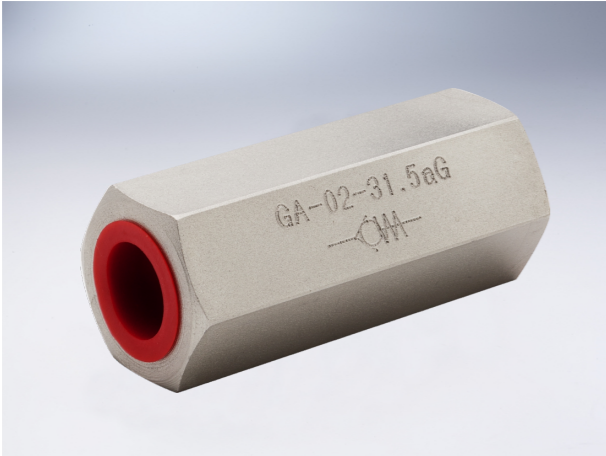


In-line Check Valve

Technical specification

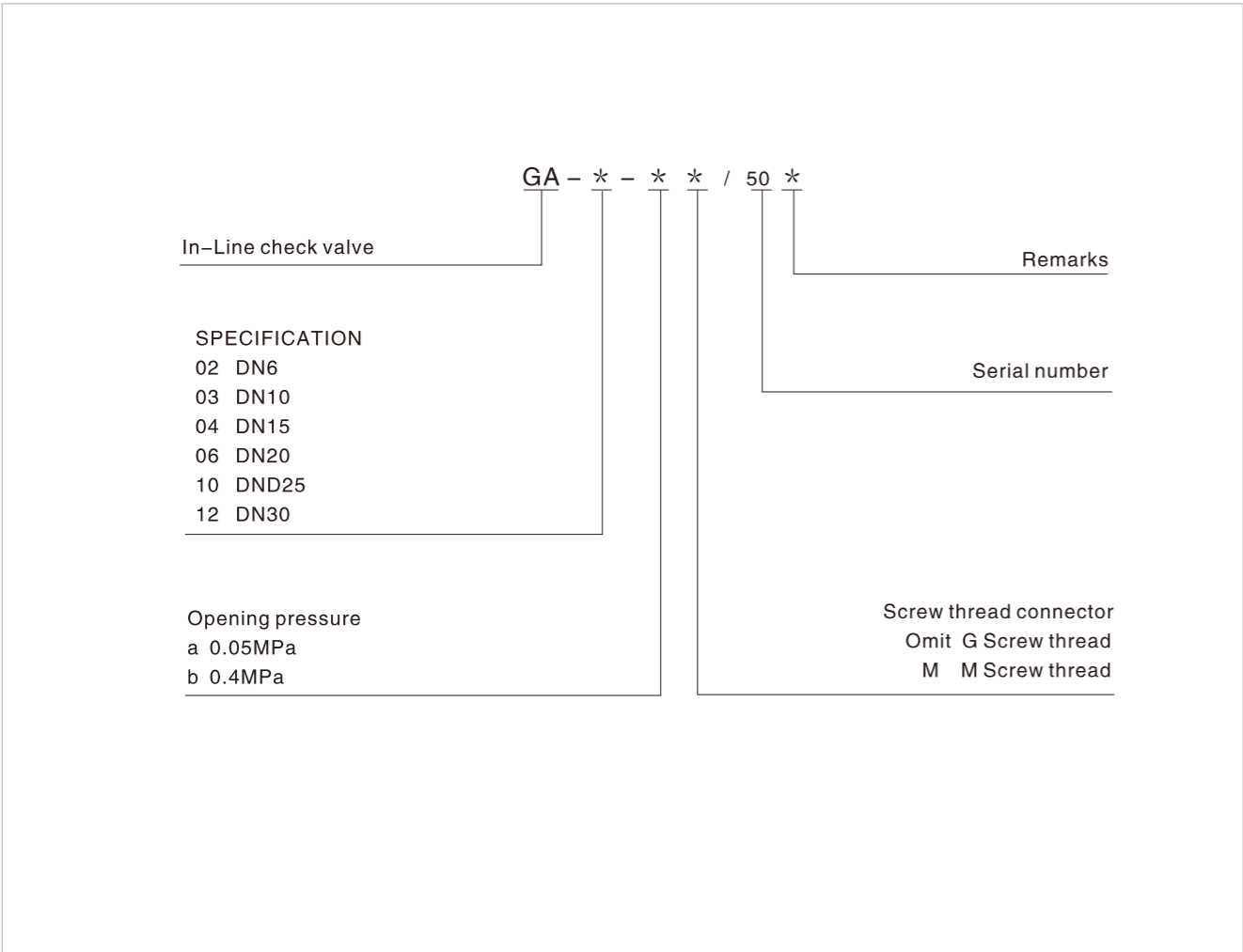


Specification	02	03	04	06	10	12
Max. working pressure (MPa)	31.5					
Max. Flow (L/min)	30	50	140	220	320	430
Working fluid	Mineral oil;phosphate-ester					
Fluid temp. (°C)	-20~70					
Viscosity (mm ² /s)	2.8~380					
Opening pressure (MPa)	a0.05		b0.4			
Cleanliness	The maximum allowable cleanliness of the oil should be according to 9th degree of Standard NAS1638.It is suggested that the minimum filter rating should be $\beta 10 \geq 75$.					

Check valve allows the fluid to flow only in one direction and prevents it from flowing in the opposite direction.

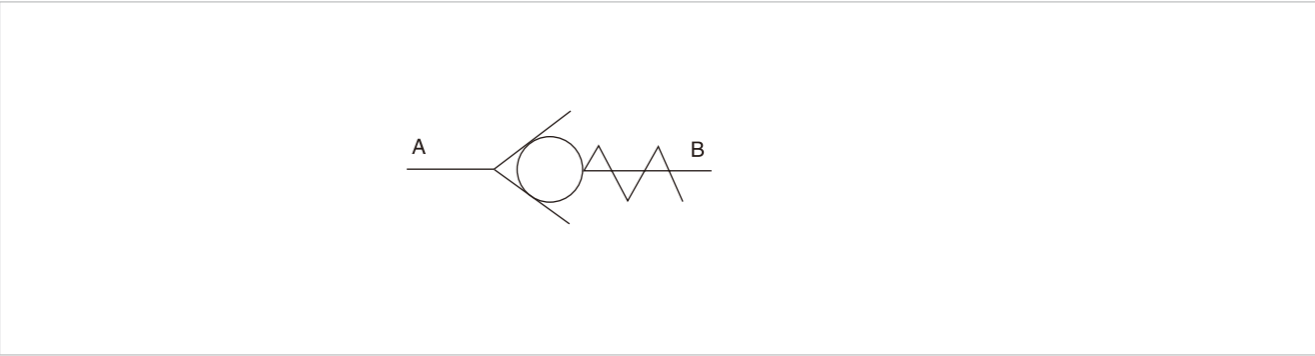
Check valve could be used at the outlet of hydraulic pressure pump to avoid the oil flow backwards. It can also separate the oil lines to avoid the oil lines mutual interference. It can be used as by-pass valve.

Model description

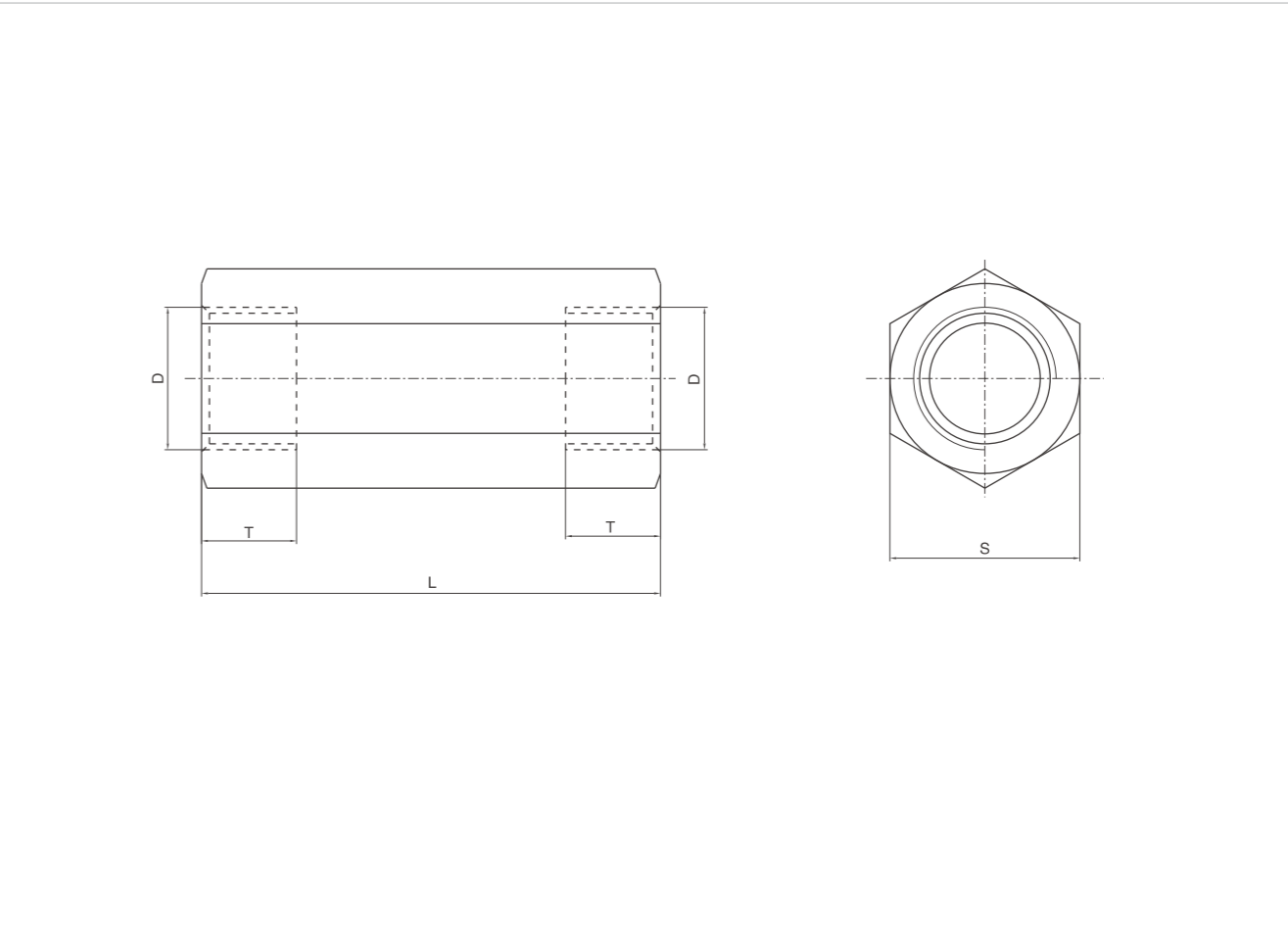


In-line Check Valve

Code symbol



External dimensions



Specification	D		L(mm)	S(mm)	T(mm)
	British System	Metric System			
02	G3/8"	M18X1.5	58	24	12
03	G1/2"	M22X1.5	72	30	15
04	G3/4"	M27X2	85	36	17
06	G1"	M33X2	98	46	20
10	G1 1/4"	M42X2	120	60	22
12	G1 1/2"	M48X2	138	65	24