

# Orthogonal Check Valve

## Technical specification

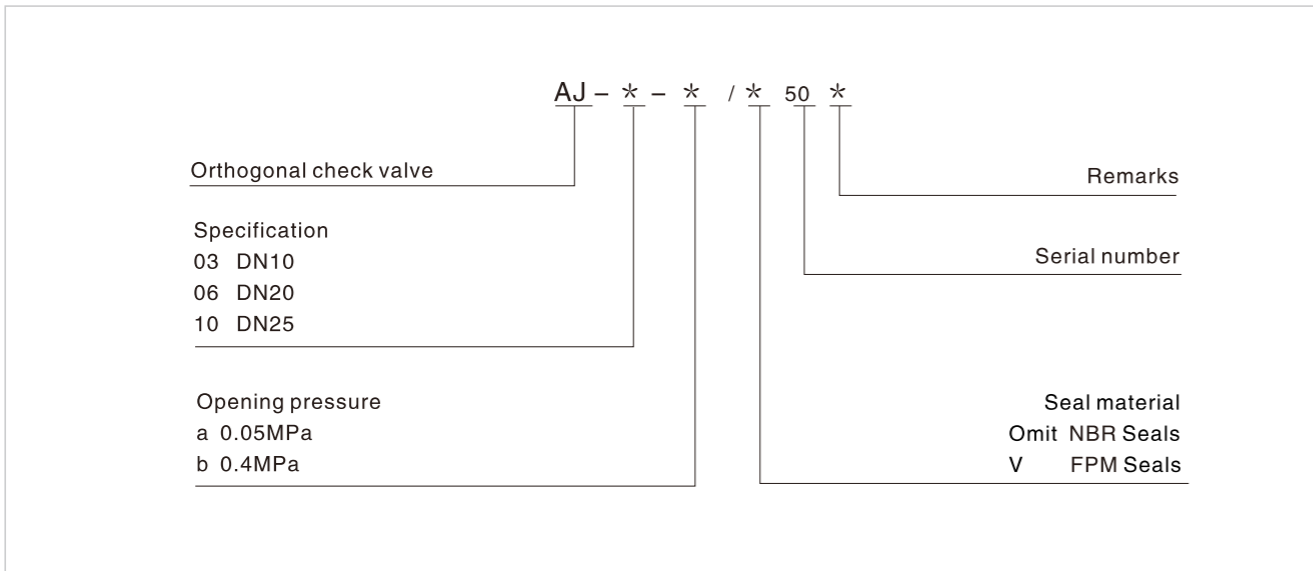


Specification	03	06	10
Max. working pressure (MPa)	31.5		
Max. Flow(L/min)	80	220	430
Working fluid	Mineral oil;phosphate-ester		
Fluid temp. (°C)	-20~70		
Viscosity (mm <sup>2</sup> /s)	2.8~380		
Opening pressure (MPa)	a0.05 b0.4		
Cleanliness	The maximum allowable cleanliness of the oil should be according to 9th degree of Standard NAS1638.It is suggested that the minimum filter rating should be β 10≥75.		

Check valve allows the fluid to flow only in one direction and prevents it from flowing in the opposite direction.

Check valve could be used at the outlet of hydraulic pressure pump to avoid the oil flow backwards. It can also separate the oil lines to avoid the oil lines mutual interference. It can be used as by-pass valve.

## Model description

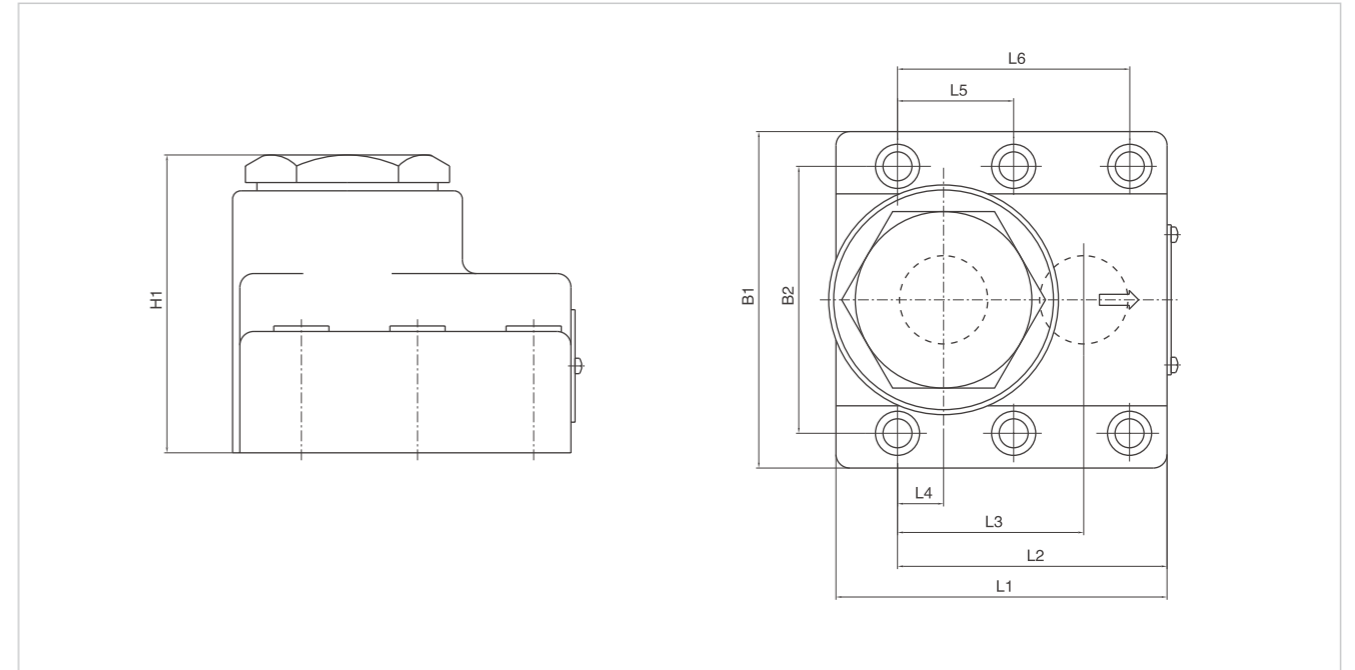


## Code symbol

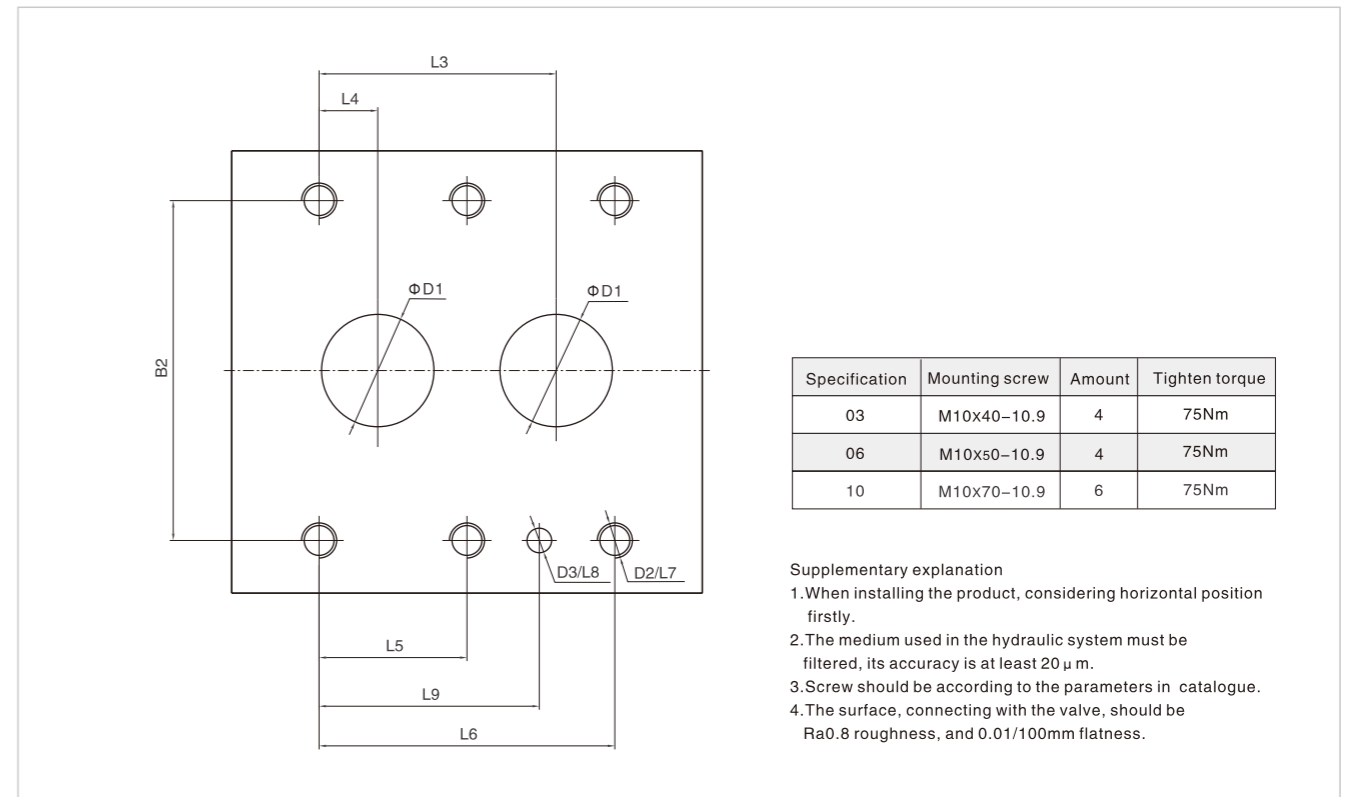


# Orthogonal Check Valve

## External dimensions



## Size of subplate oil port



Specification	B1	B2	L1	L2	L3	L4	L5	L6	L7	L8	L9	D1	D2	D3	H1
03	90	66.7	67	55	35.8	7.25	-	42.9	23	6	31.8	13	M10	7	67
06	103.5	79.4	84.3	72.3	49.2	11.1	-	60.3	24	6	44.5	22	M10	7	79
10	122	96.8	112	98	67.5	16.7	42.1	84.2	25	6	62.7	32	M10	7	105