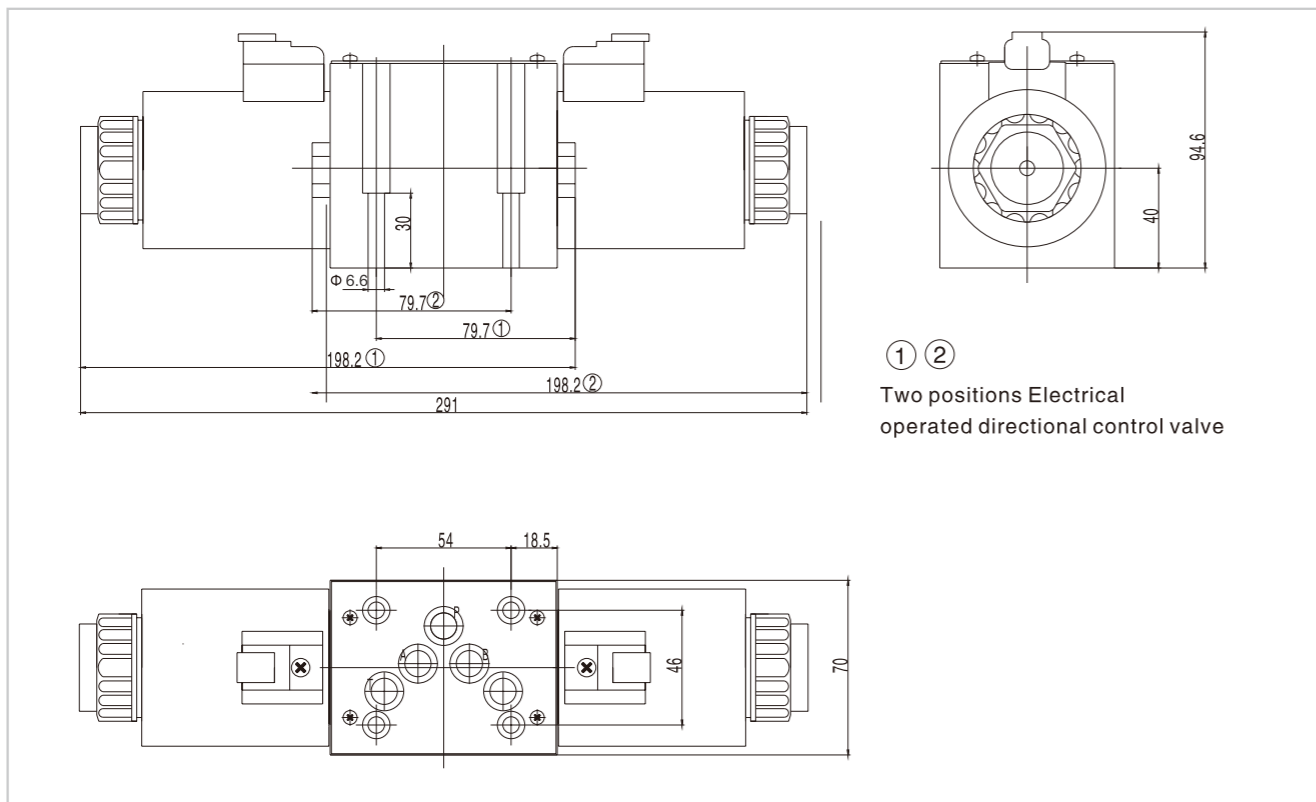
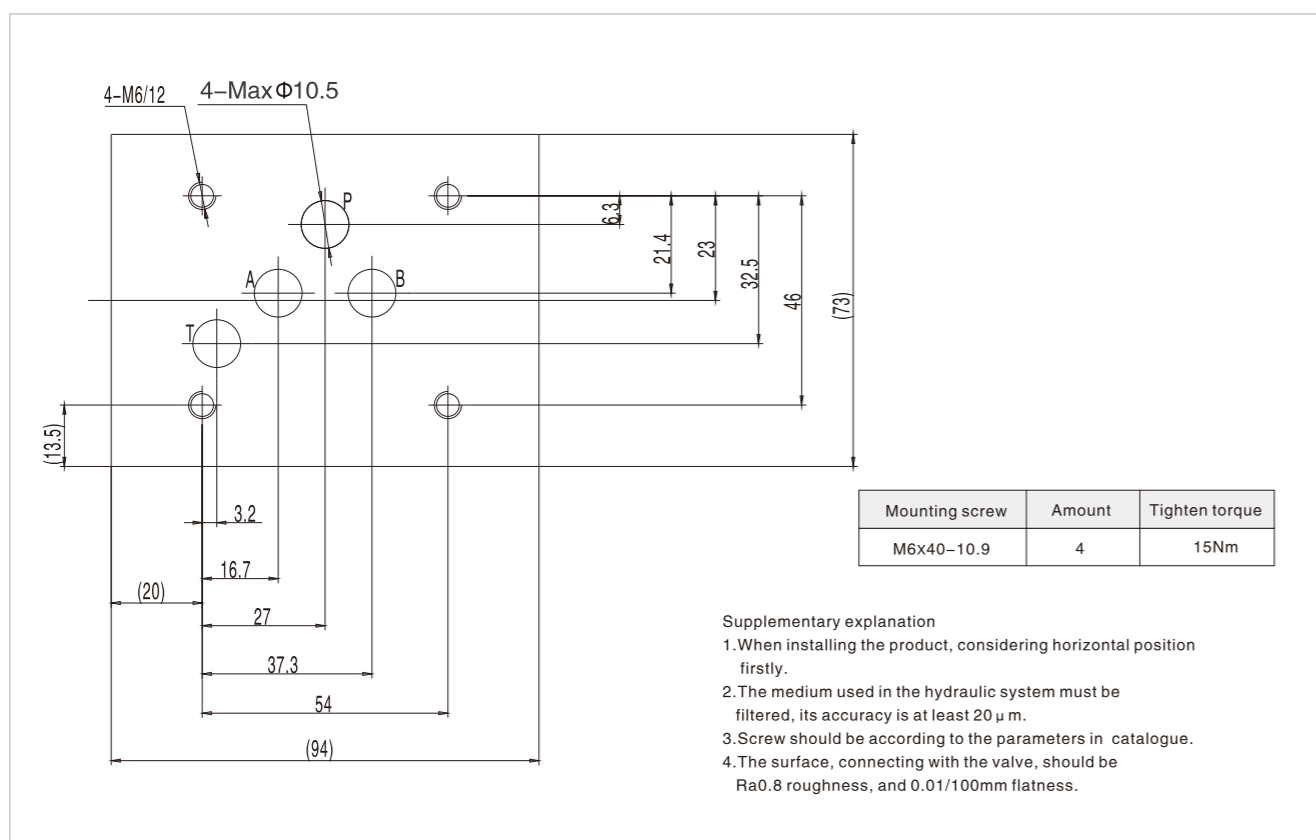


Water-proof Electrical Operated Directional Control Valve

External dimensions

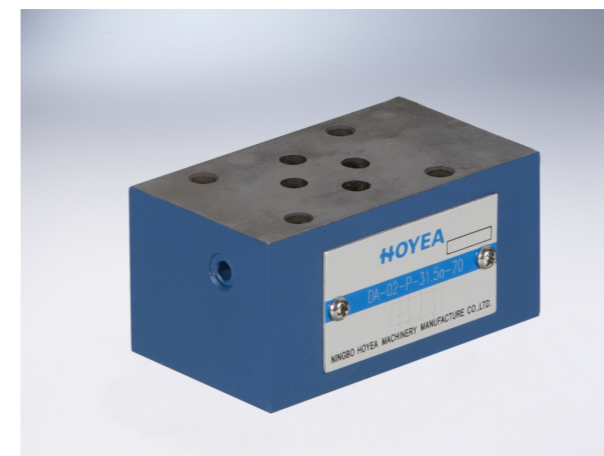


Size of subplate oil port



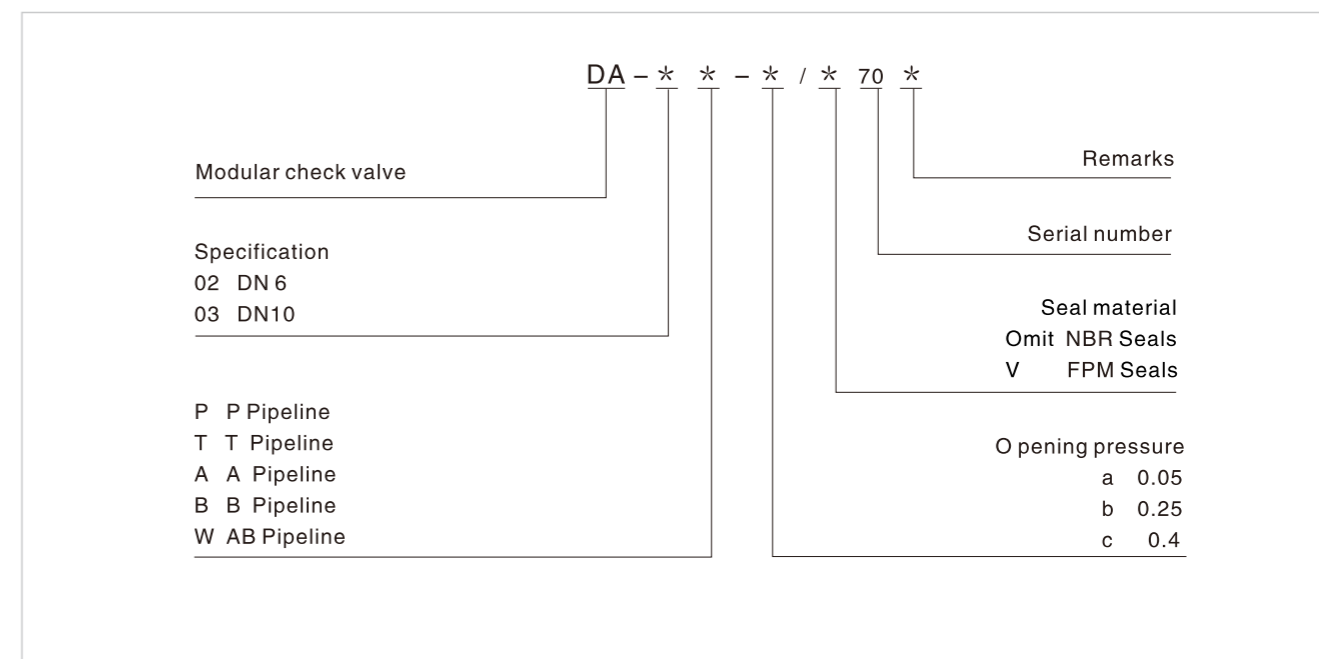
Modular Check Valve

Technical specification

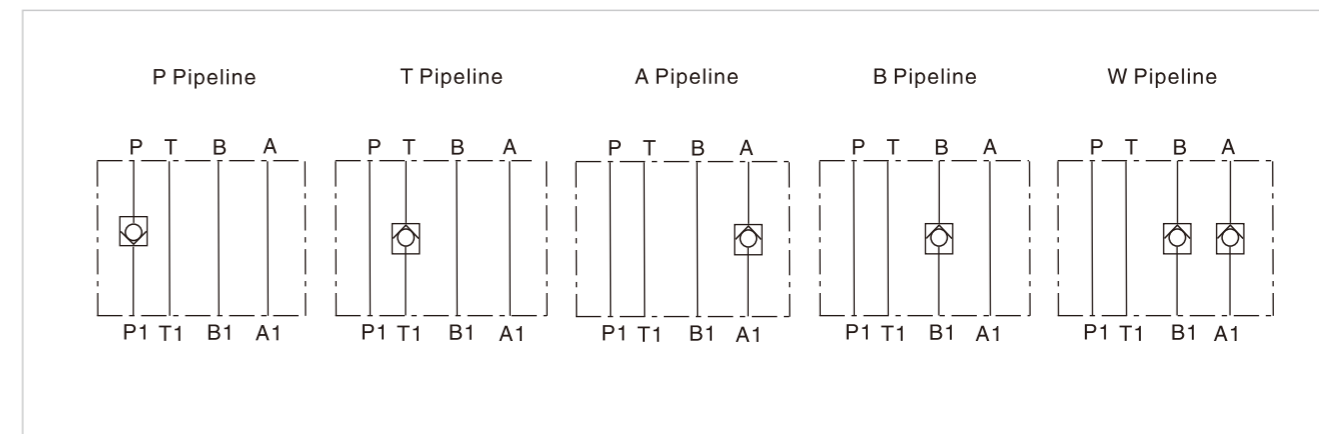


Specification	02	03
Max. working pressure (MPa)	31.5	
Max. Flow (L/min)	40	100
Working fluid	Mineral oil; phosphate-ester	
Fluid temp. (°C)	-20~70	
Viscosity (mm ² /s)	2.8~380	
O pening pressure (MPa)	a:0.05 b:0.25 c:0.4	
Cleanliness	The maximum allowable cleanliness of the oil should be according to 9th degree of Standard NAS1638.It is suggested that the minimum filter rating should be β 10≥75.	

Model description

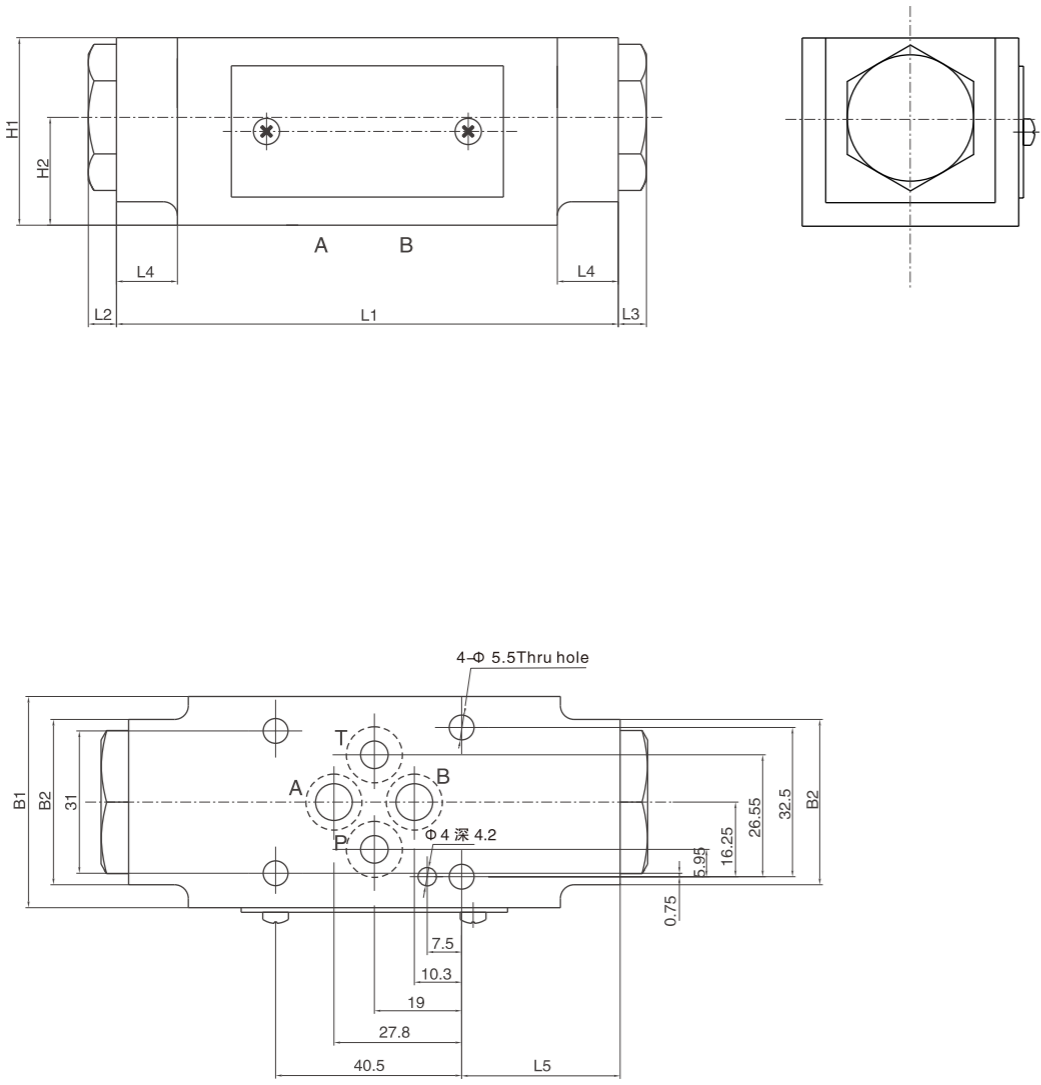


Code symbol



Modular Check Valve

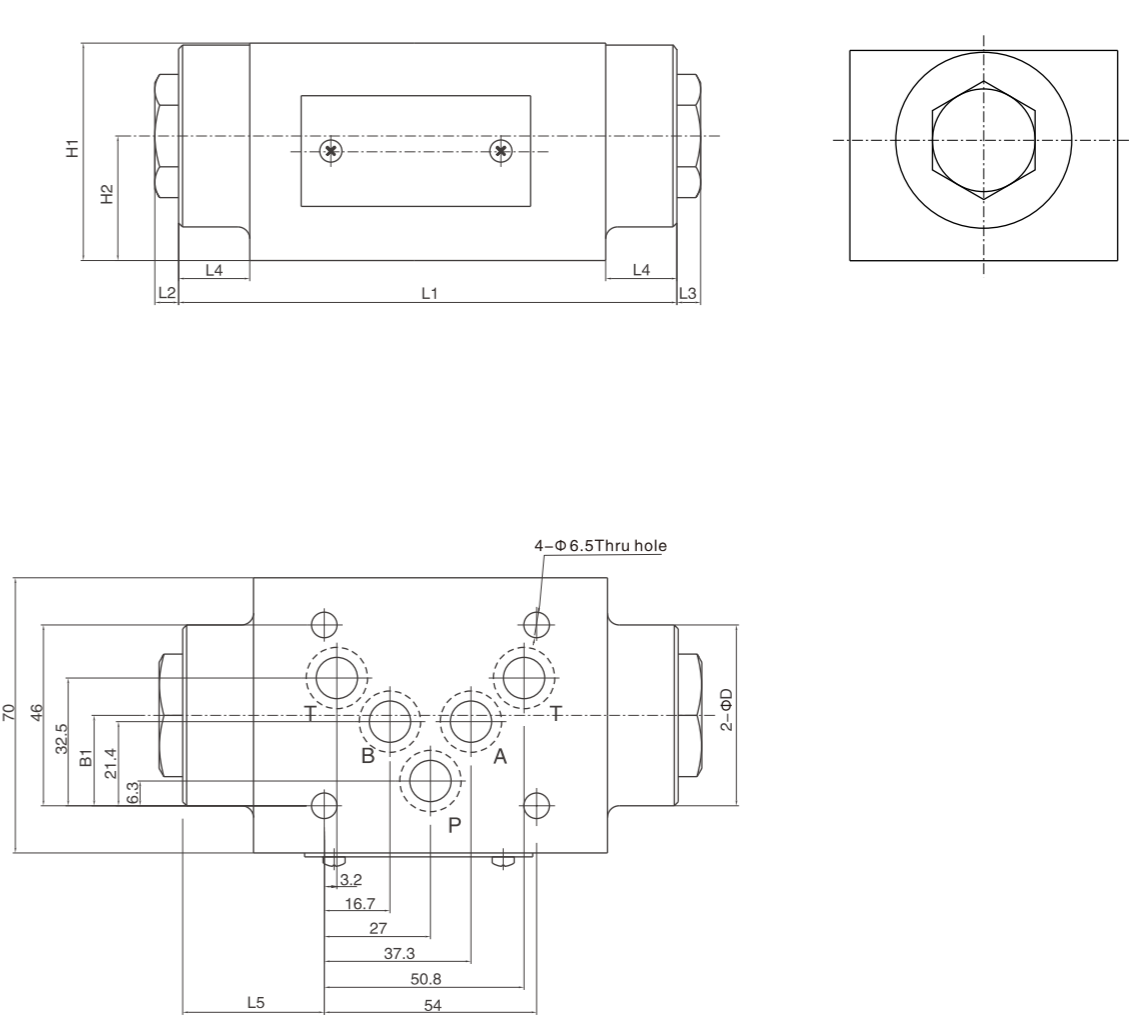
02 External dimensions



Specification	B1	B2	H1	H2	L1	L2	L3	L4	L5
DA-02-A	46	-	40	20	80	6	-	-	20
DA-02-B	46	-	40	20	80	-	6	-	20
DA-02-P	46	-	40	20	80	-	6	-	20
DA-02-T	46	-	40	20	80	-	6	-	20
DA-02-W	46	36	40	23	107	6	6	13	34.5

Modular Check Valve

03 External dimensions



Specification	D	B1	H1	H2	L1	L2	L3	L4	L5
DA-03-A	-	18.5	55	27.5	80	-	6	-	10
DA-03-B	-	18.5	55	27.5	80	6	-	-	16
DA-03-P	-	15.8	55	27.5	80	-	6	-	16
DA-03-T	-	23	55	27.5	100	-	6	-	19.5
DA-03-W	46	23	55	31.5	126	6	6	18	36
DA-03-WT	-	32.5	55	27.5	150	6	6	-	48

D.10.2

D.10.3