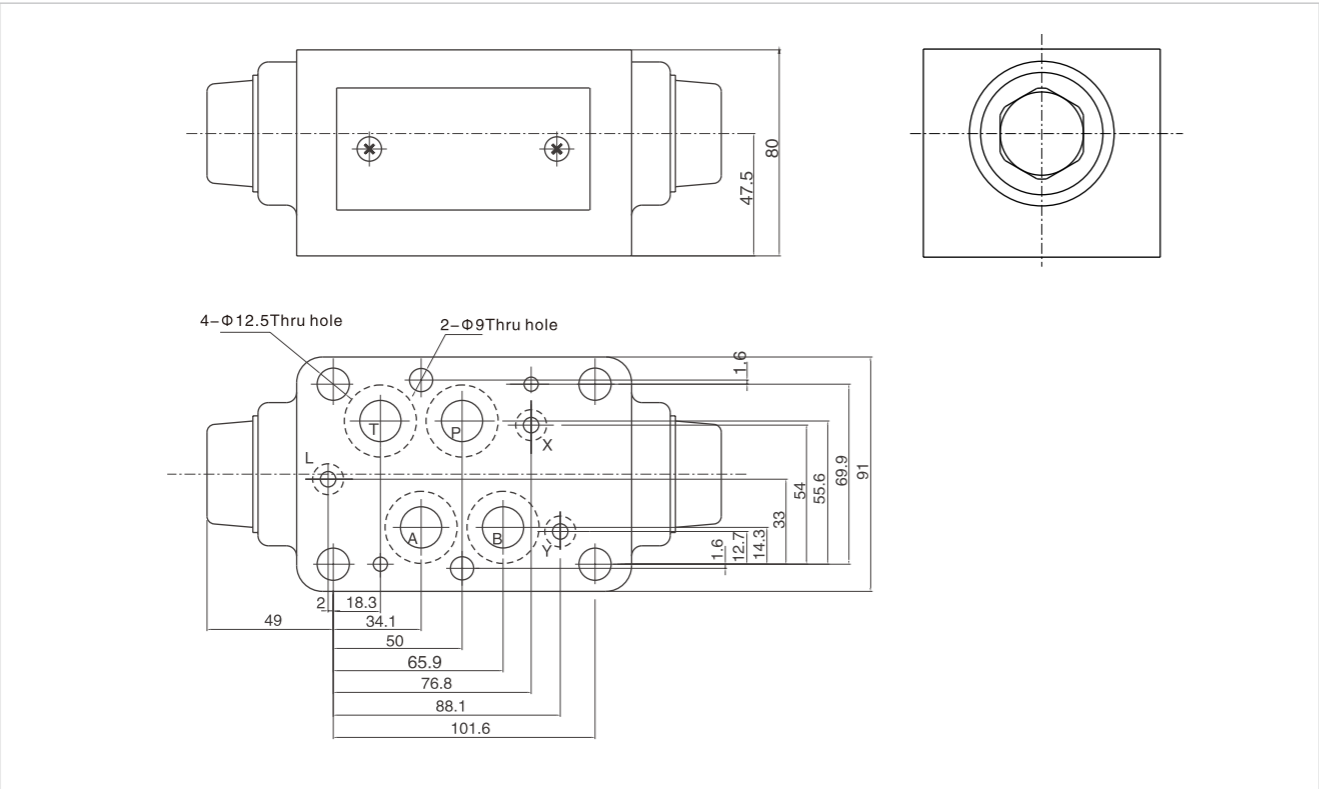


Modular Pilot-operated Check Valve

04 External dimensions



D.11.3

Solenoid Valve With Hand Control

Technical data

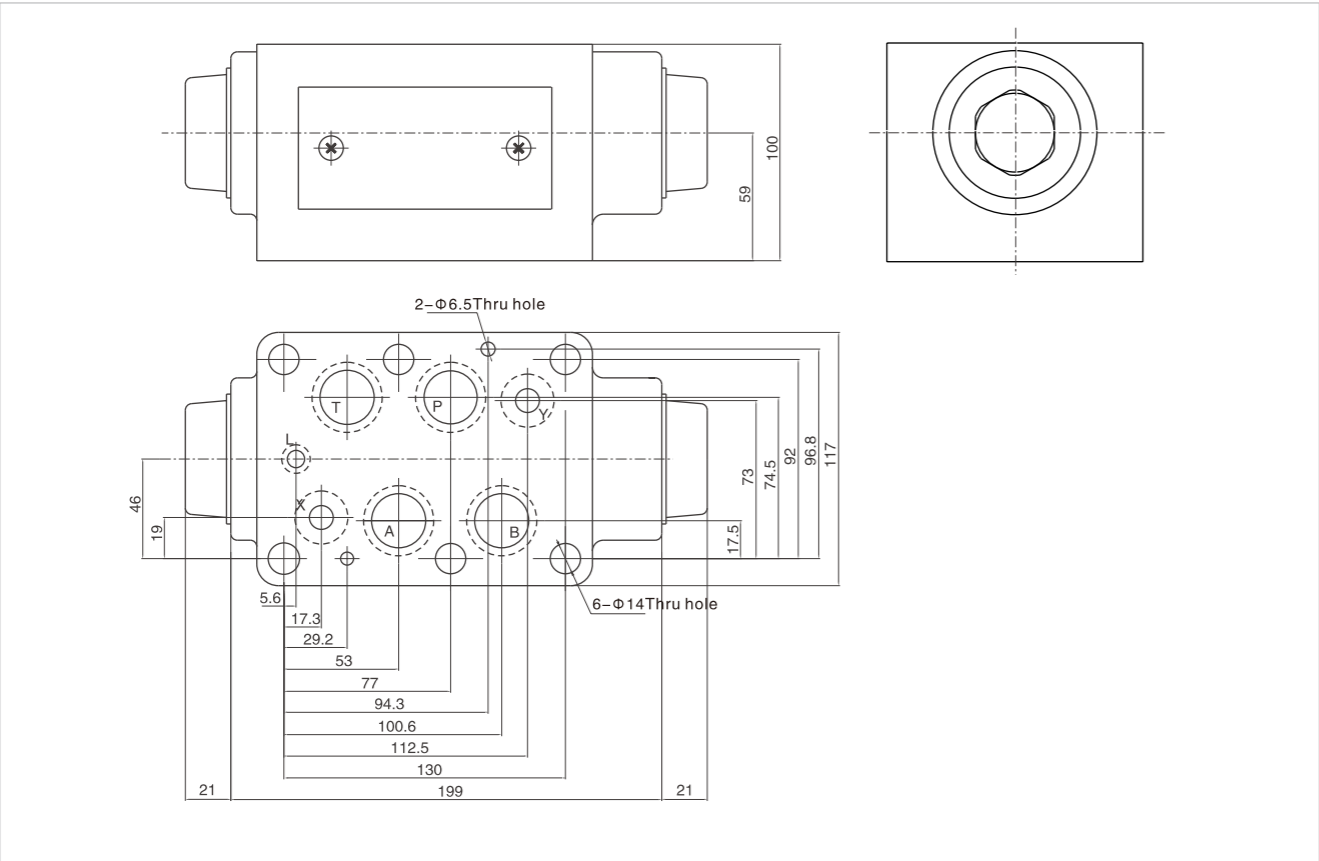


Model		02	03
Pressure range (MPa)	Oil port P, A, B	35	31.5
	Oil port T	10	
Max flow rate(L/min)		80	120
Installation	Any, recommended horizontal installation		
Working fluid	Mineral hydraulic oil; phosphate ester hydraulic oil		
Fluid temp (°C)	-20~70		
Fluid viscosity (mm ² /s)	2.8~100		
Working voltage (V)	DC	12	24
	AC	110/50Hz	220/50Hz
Protection grade	IP65		
Cleanliness	NAS1638 Class 9, recommended filtration precision Min β ₁₀ ≥ 75 ₀		

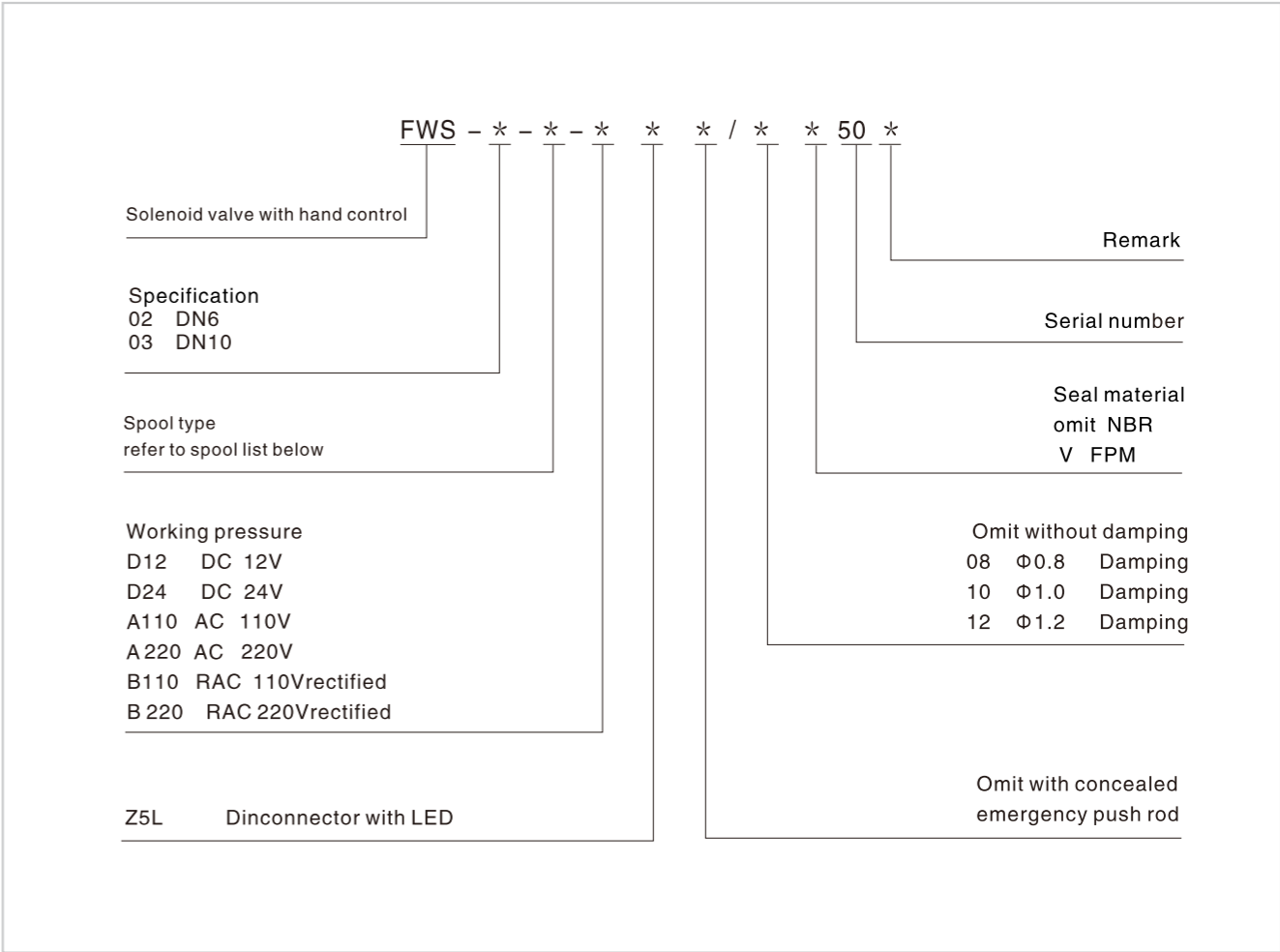
FWS can work as standard solenoid directional valve, also can control the spool movement with hand level on power-off condition.

D.12.1

06 External dimensions

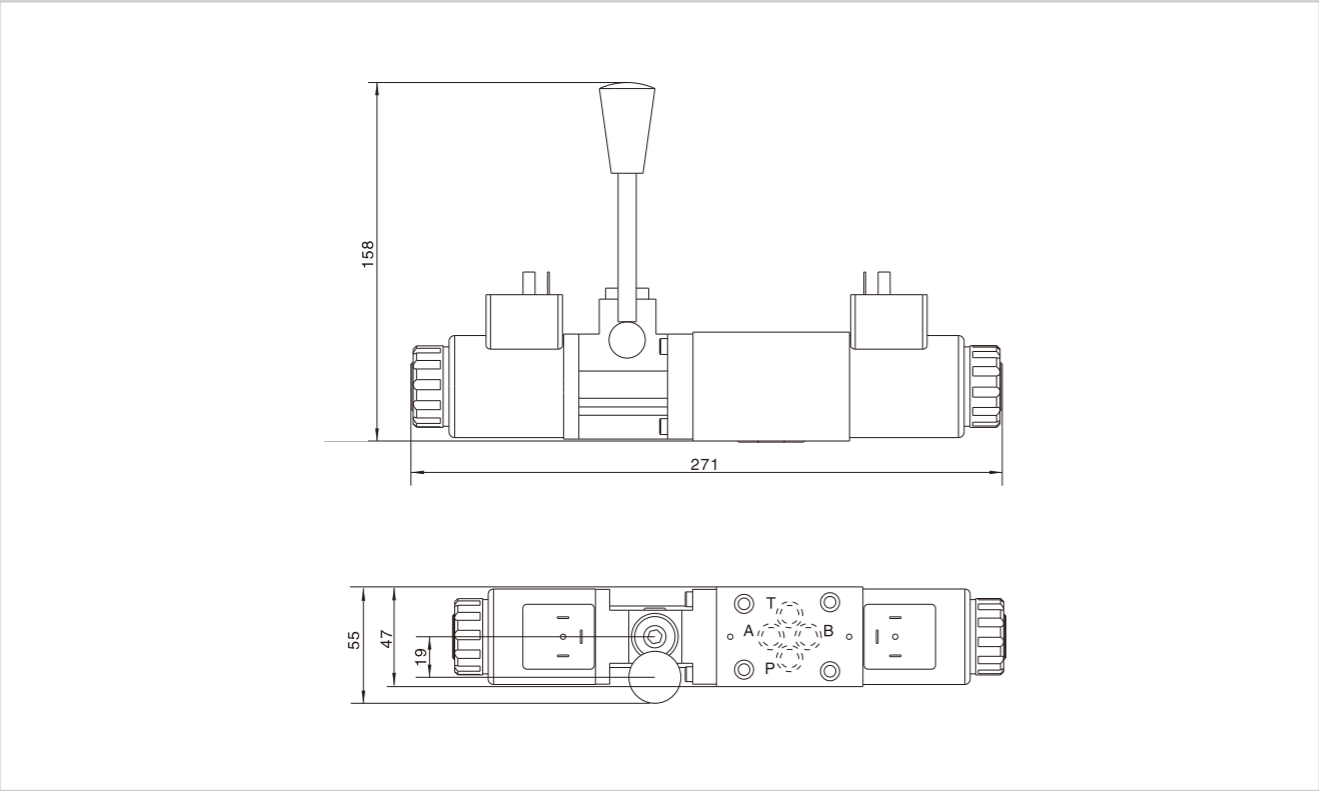


Model description



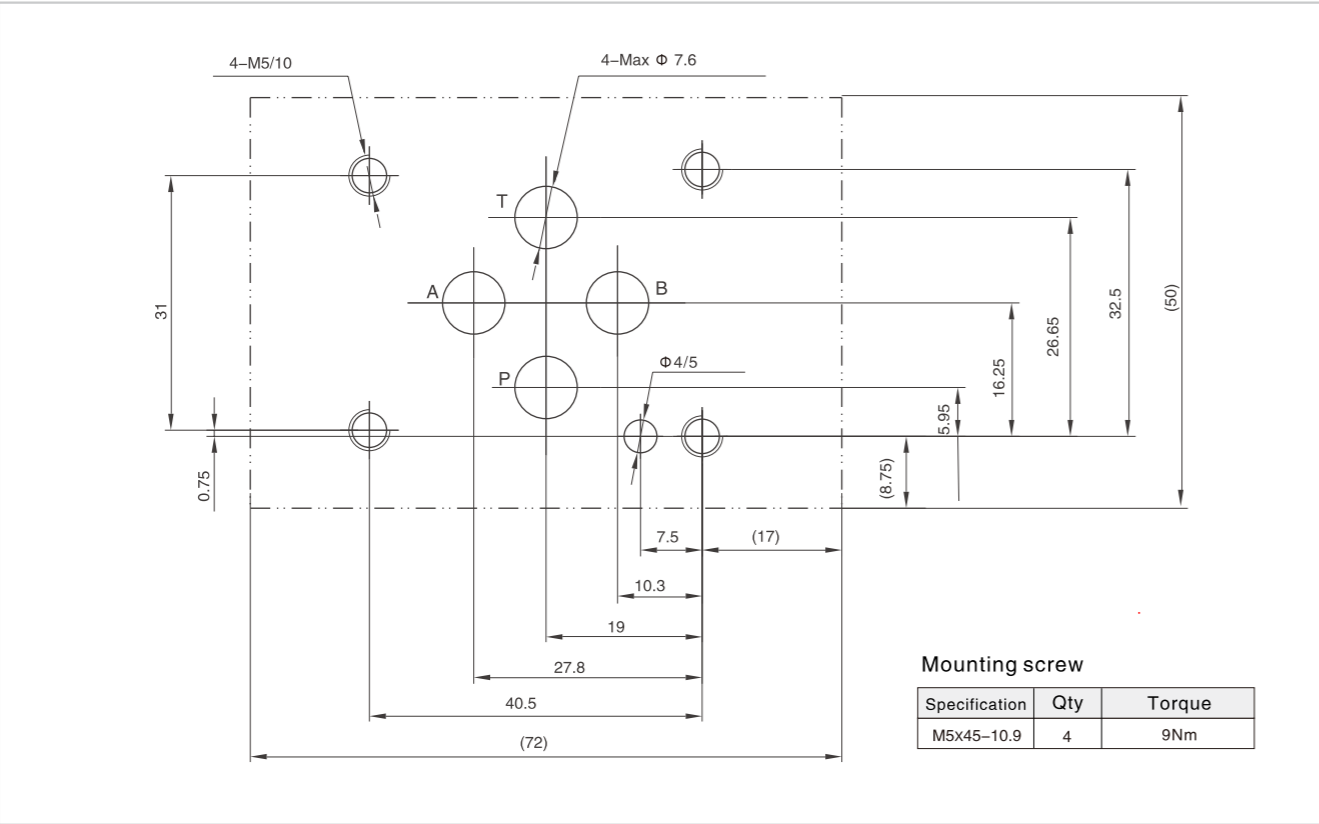
Solenoid Valve With Hand Control

02 Dimension



D.12.2

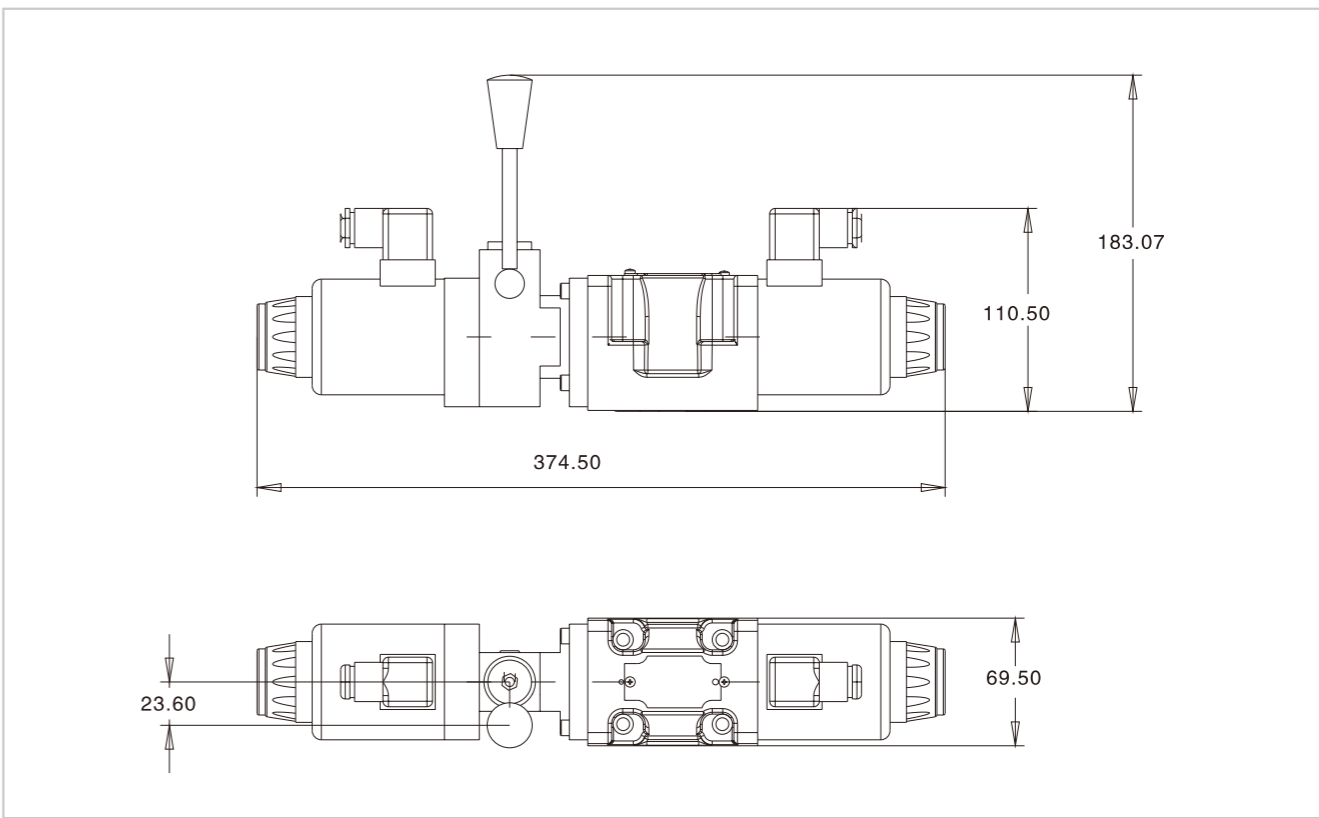
02 Subplate mounting size



D.12.2

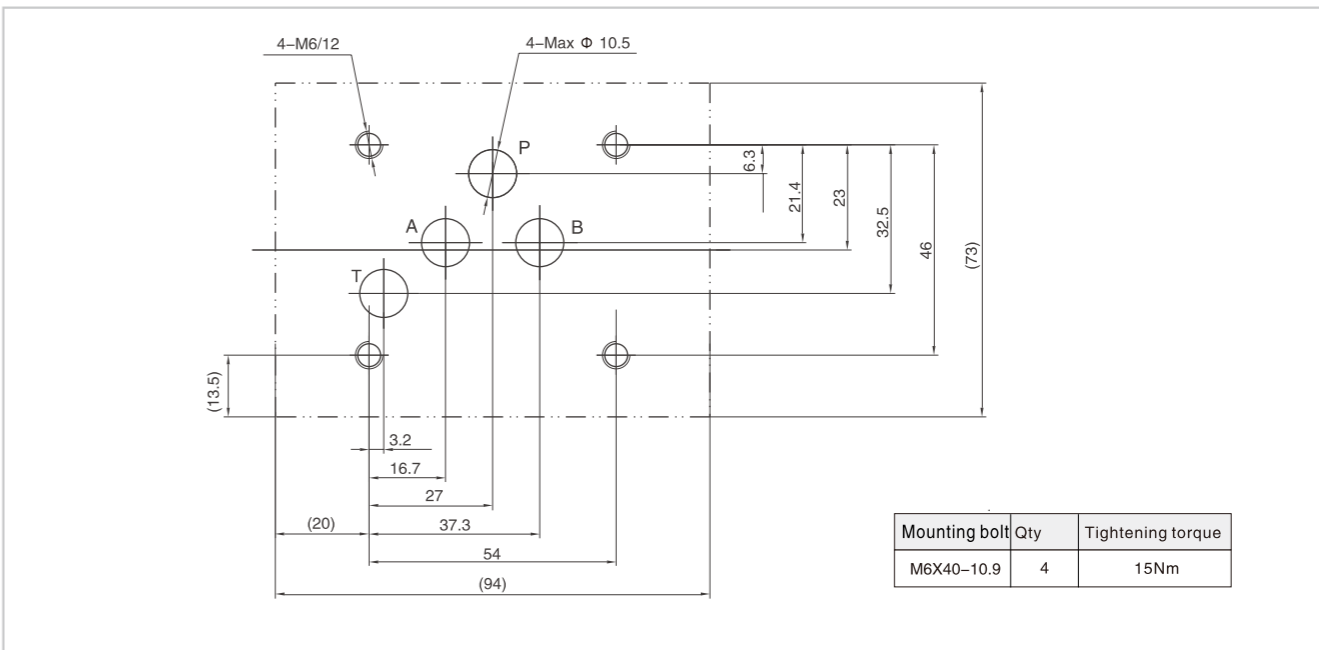
Solenoid Valve With Hand Control

03 Dimension



D.12.3

03 Subplate mounting size



- Notice:
1. Please refer to "user's guide" before mounting .
 2. When installing the product, considering horizontal position firstly.
 3. The medium used in the hydraulic system must be filtered, its accuracy is at least 20 μ m.

4. Screw should be according to the parameters in catalogue.
5. The surface, connecting with the valve, should be Ra0.8 roughness, and 0.01/100mm flatness.

D.12.3