

Coverplate(Pressure Function)

Technical data



Size	16	25	32	40	50	63
Max working pressure (MPa)	31.5					
Working fluid	Mineral hydraulic oil; phosphate ester hydraulic oil					
Fluid temp (°C)	-20~70					
Fluid viscosity (mm <sup>2</sup> /s)	-2.8~500					
Cleanliness	NAS1638 Class 9, recommended filtration precision Min β ≥75.					

HYLFA is to control the logic valve on/off, different coverplate can realize different fluid pressure.

Ordering code

HYLFA - \* - \* - \* / \* \*

<p>Coverplate(pressure function)</p> <p>Specification                  16 DN16                  25 DN25                  32 DN32                  40 DN40                  50 DN50                  63 DN63</p> <p>Model                  Refer to code details</p>	<p>Remark</p> <p>Serial number                  50                  90</p> <p>Seal material                  omit NBR                  V FPM</p>
---	--

Coverplate(Pressure Function)

Ordering code

**LFA...DB.-/..16...63**  
Control cover with manual pressure adjustment

**LFA...DBW.-/..16...63**  
Control cover with manual pressure adjustment, for electrical unloading  
For mounting a directional spool or directional poppet valve

**LFA...DBS.-/..16...63**  
Control cover with manual pressure adjustment, for electrical unloading  
For mounting a directional poppet valve

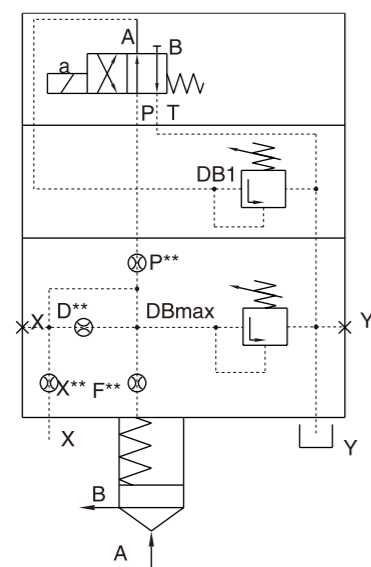
**LFA...DBWD.-/..16...63**  
Control cover with manual pressure adjustment, for isolation functions

# Coverplate (Pressure Function)

## Function code

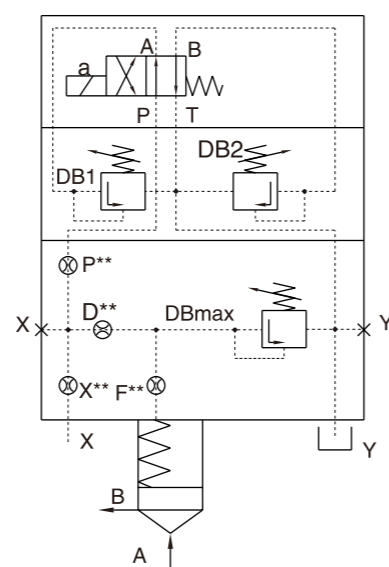
### LFA...DBU 2A../..16...63

Control cover with 2 manual pressure adjusters, electrically selectable



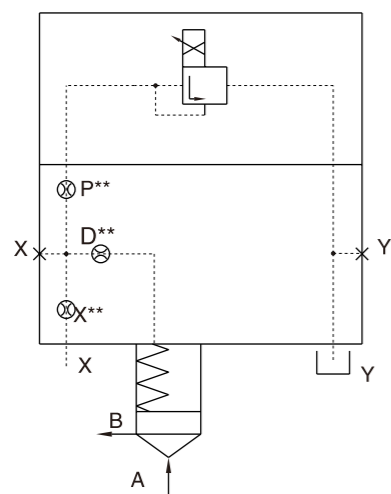
### LFA...DBU 3D../..16...63

Control cover with 3 manual pressure adjusters, electrically selectable



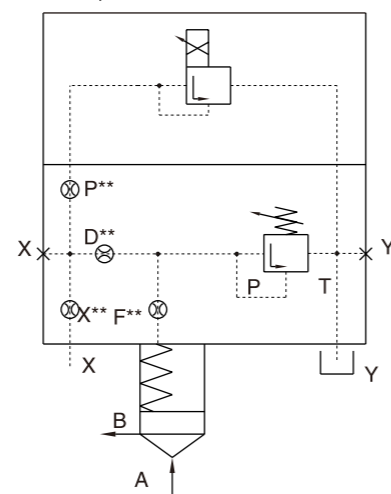
### LFA...DBU(TR)../..16...63

Control cover for electrical-proportional pressure adjustment



### LFA...DBEM(TR)../..16...63

Control cover for electrical-proportional pressure adjustment, with maximum pressure limitation



## Other Valves Series

