

DN04 Modular Pilot Check Valve

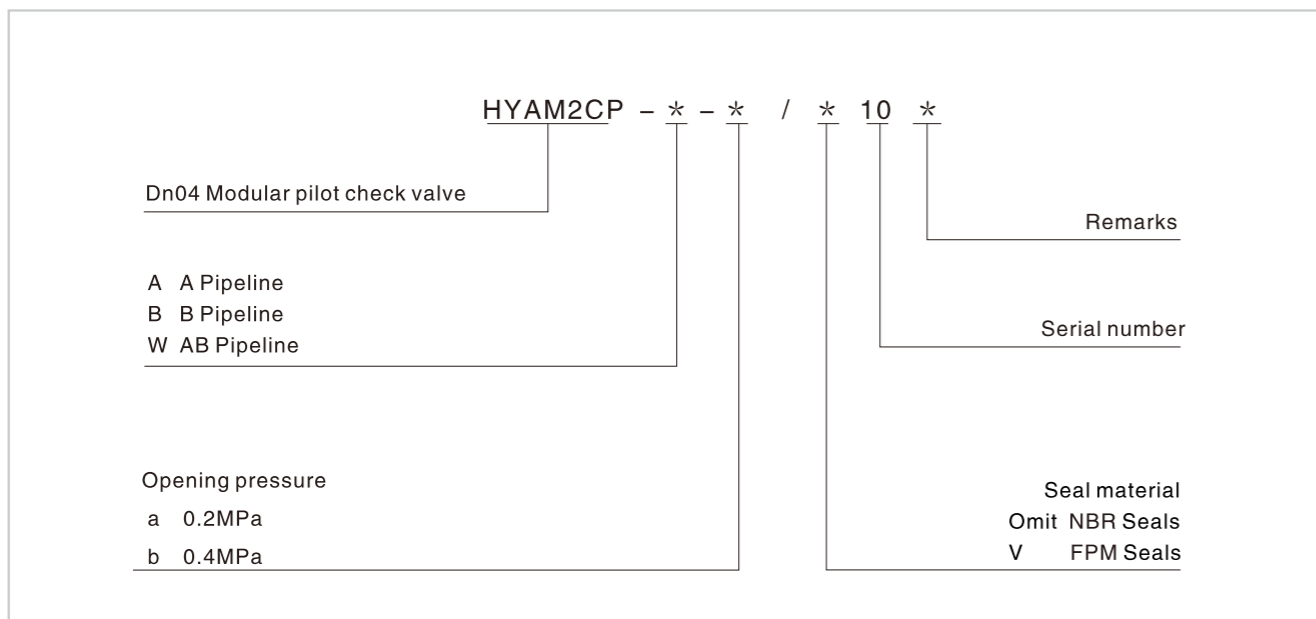
Technical specification



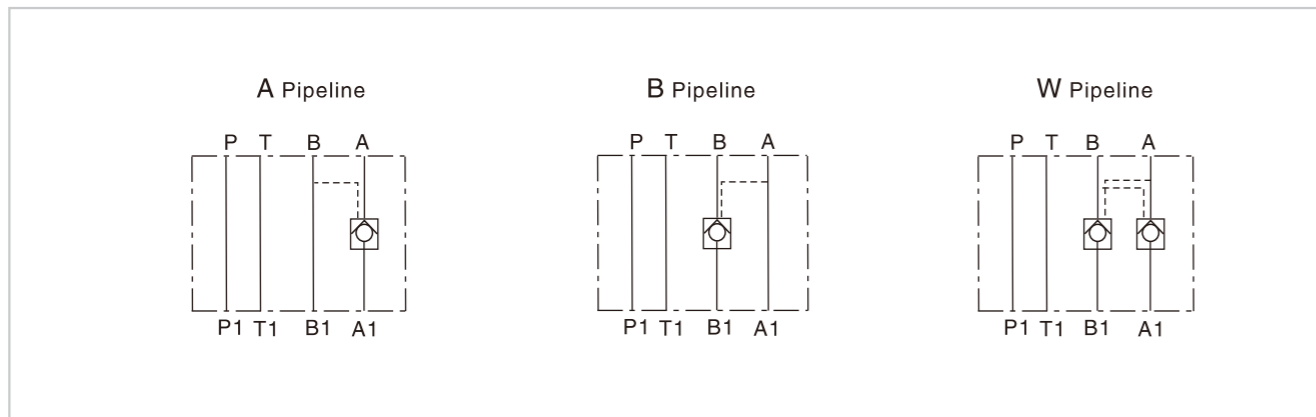
DN	4
Max. working pressure (MPa)	31.5
Max. Flow (L/min)	30
Working fluid	Mineral oil; phosphate-ester
Fluid temp. (°C)	-20~70
Viscosity (mm ² /s)	2.8~500
Opening pressure (MPa)	a 0.2 b 0.4
Cleanliness	The maximum allowable cleanliness of the oil should be according to 9th degree of Standard NAS1638. It is suggested that the minimum filter rating should be $\beta_{10} \geq 75$.

F.1.1

Model description

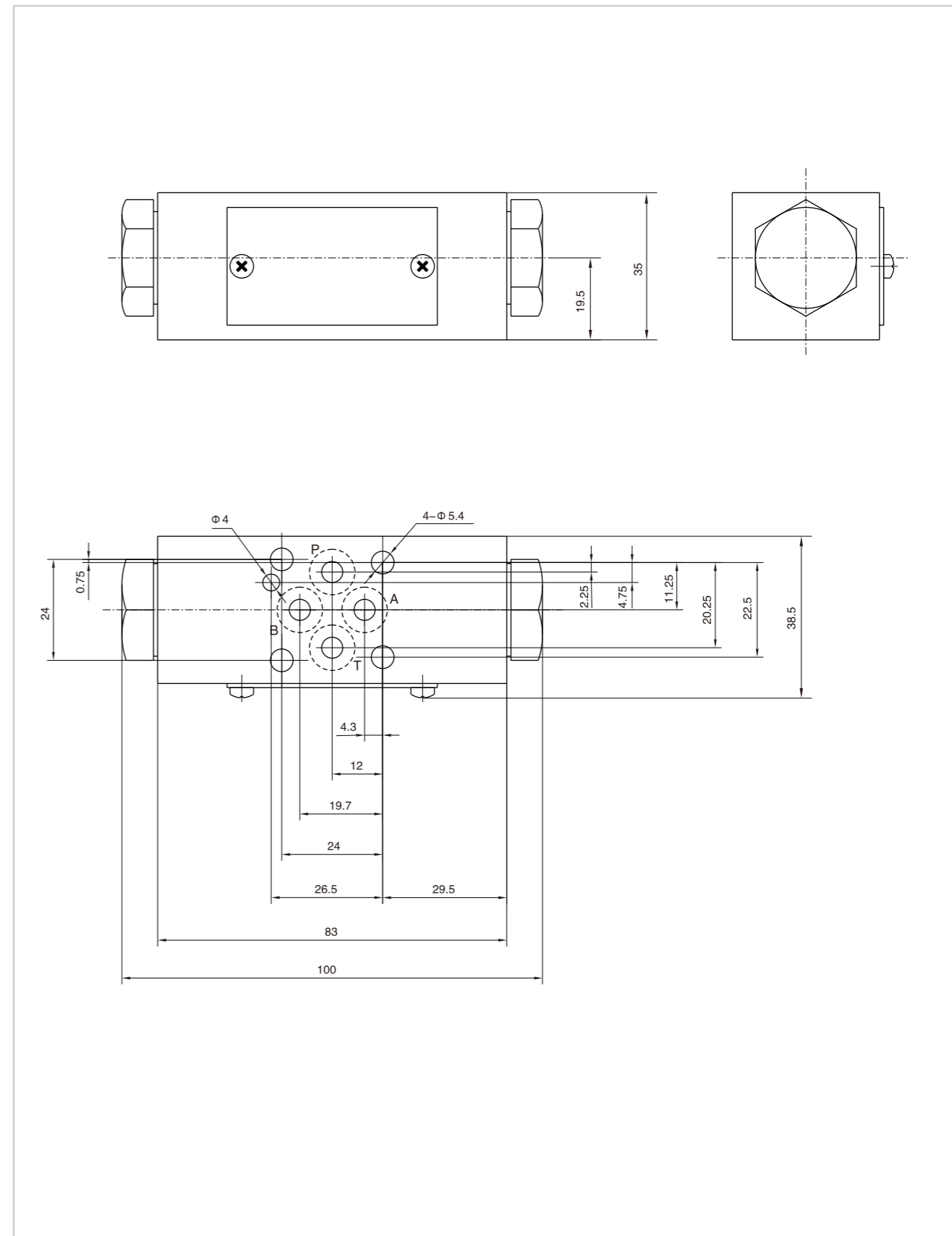


Code symbol



DN04 Modular Pilot Check Valve

External dimensions



F.1.2