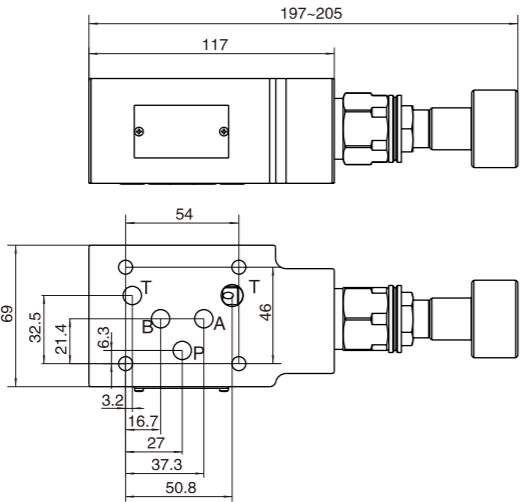


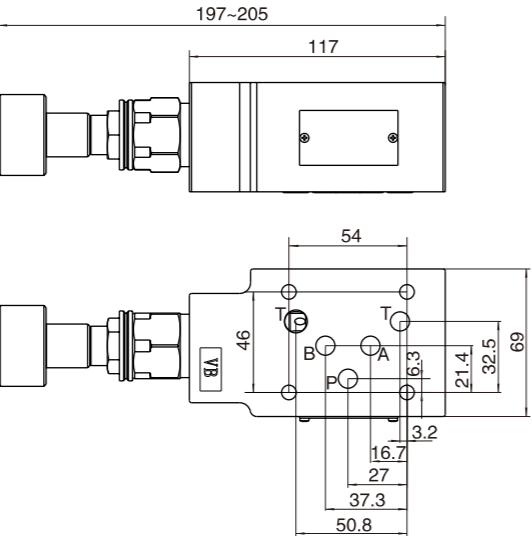
Modular Relief Valve

External dimensions

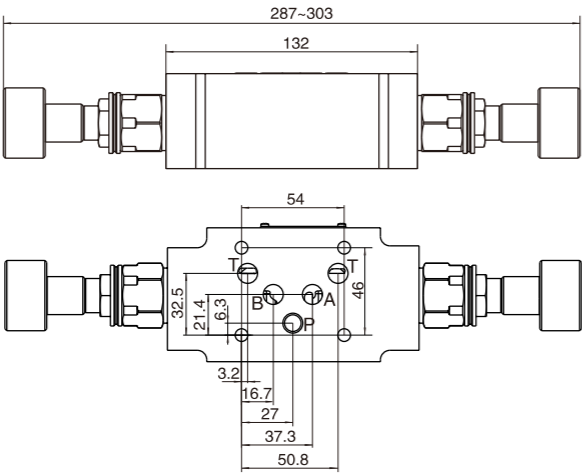
DY-03A,P



DY-03B



DY-03C , D

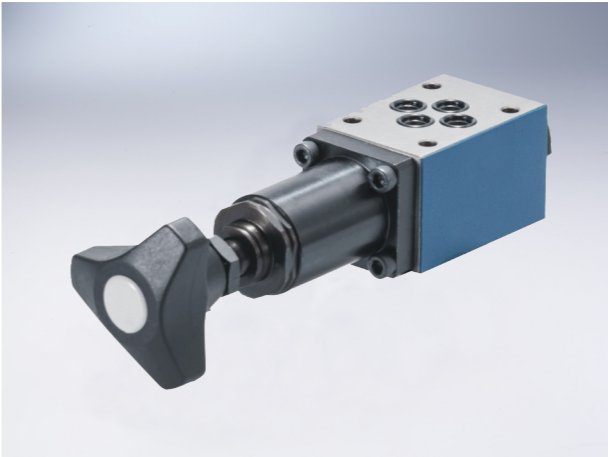


Note: The surface, connecting with the valve, should be Ra0.8 roughness, and 0.01/100mm flatness.

F.3.3

Modular Reducing Valve

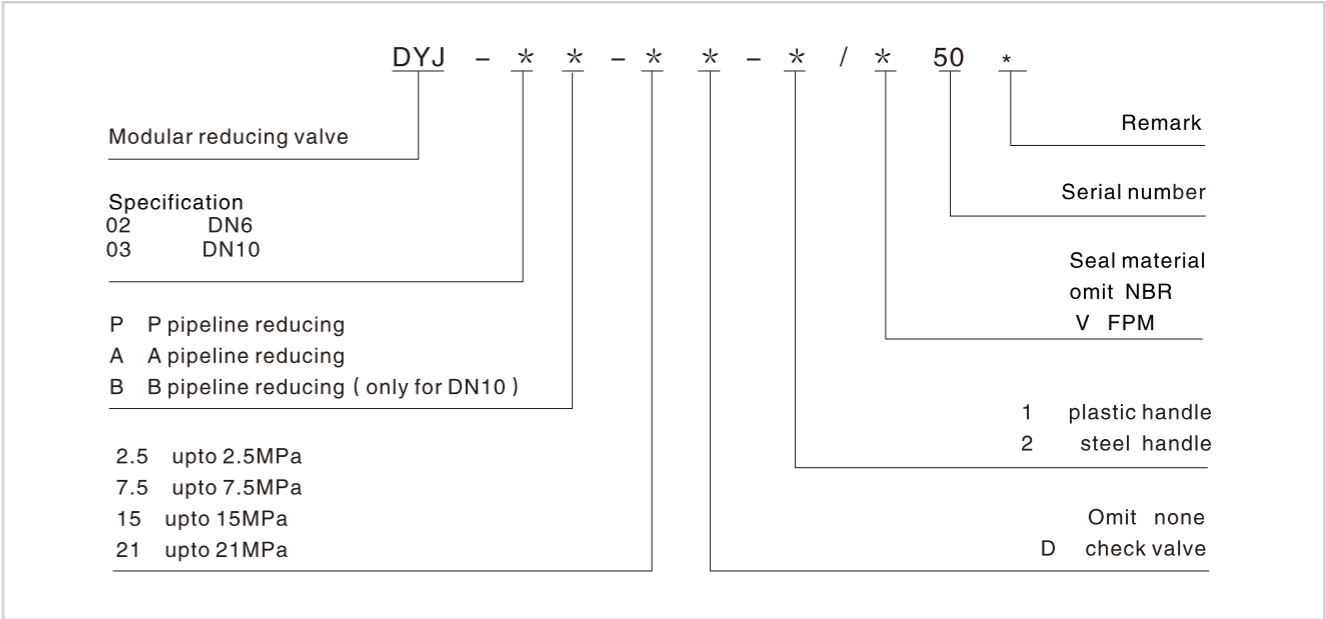
Technical specification



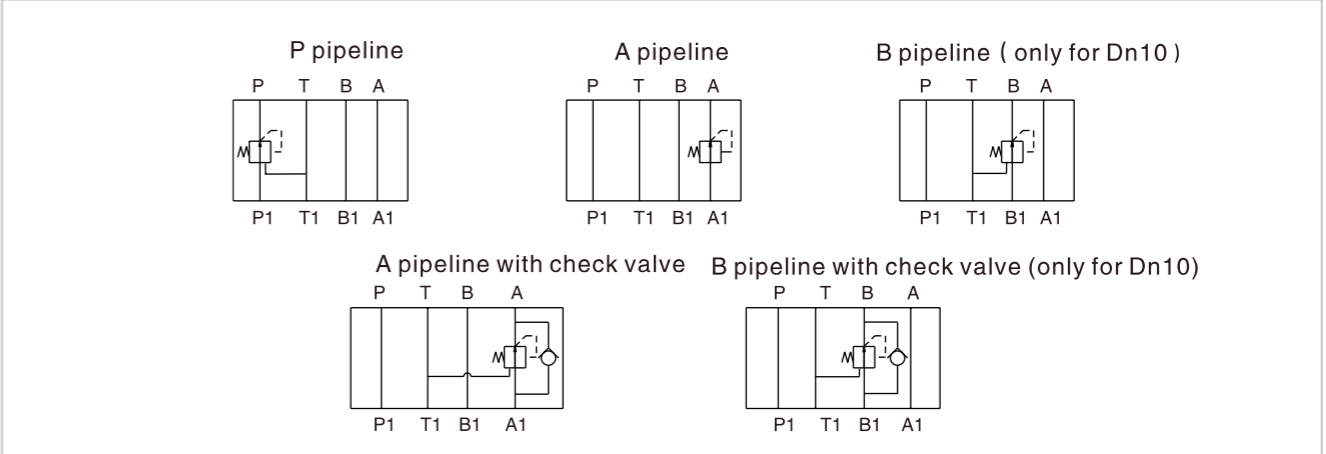
Specification		6	10
Max working pressure (MPa)	working pressure	31.5	
	Secondary pressure	To21	
	Port T	To15	
Max Flow (L/min)	50		
Mounting location	Any		
Working fluid	Mineral hydraulic oil; phosphate ester hydraulic oil		
Fluid temp (°C)	-20~70		
Viscosity (mm ² /s)	10~800		
Cleanliness	NAS1638 Class 9, recommended filtration precision Min β ₁₀ ≥ 75.		

F.4.1

Ordering code

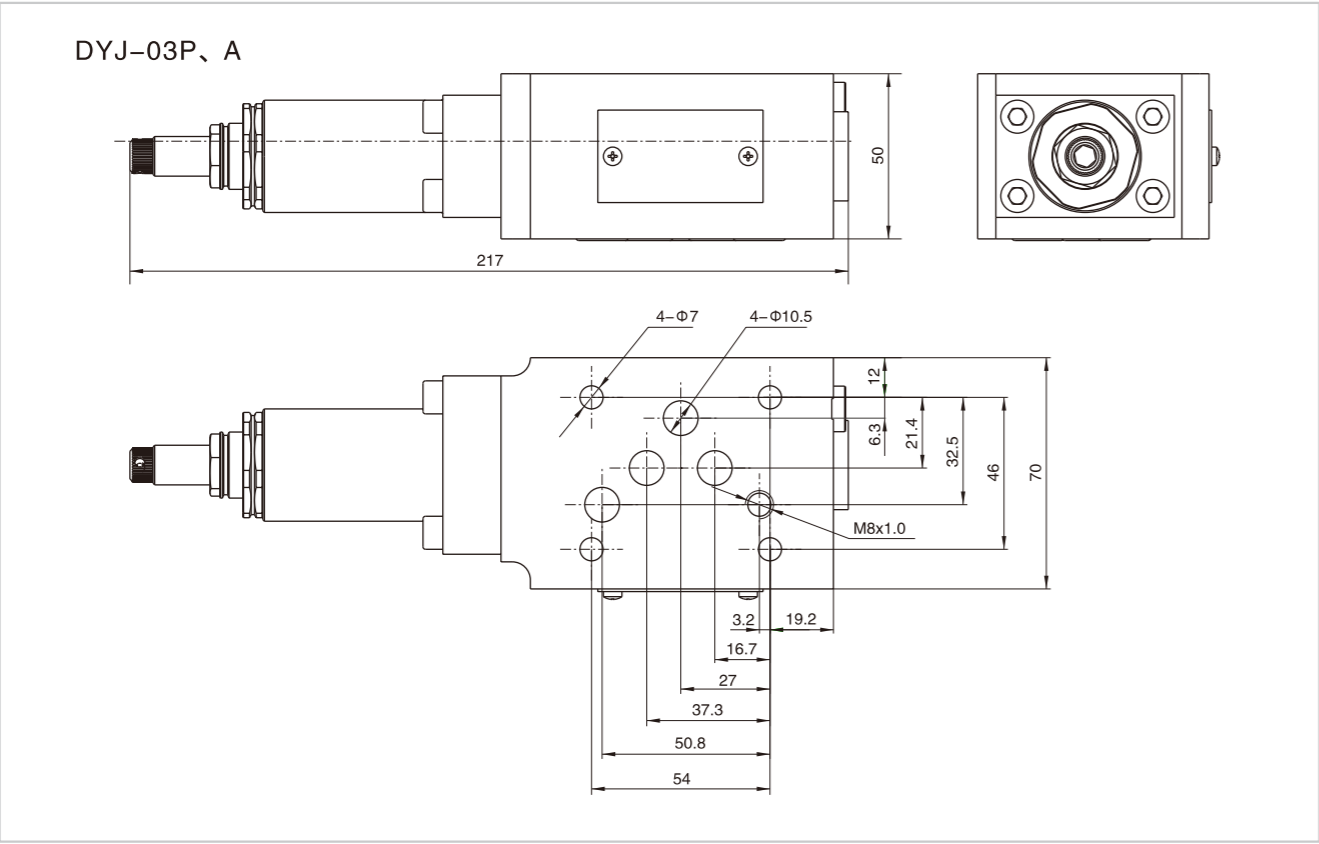
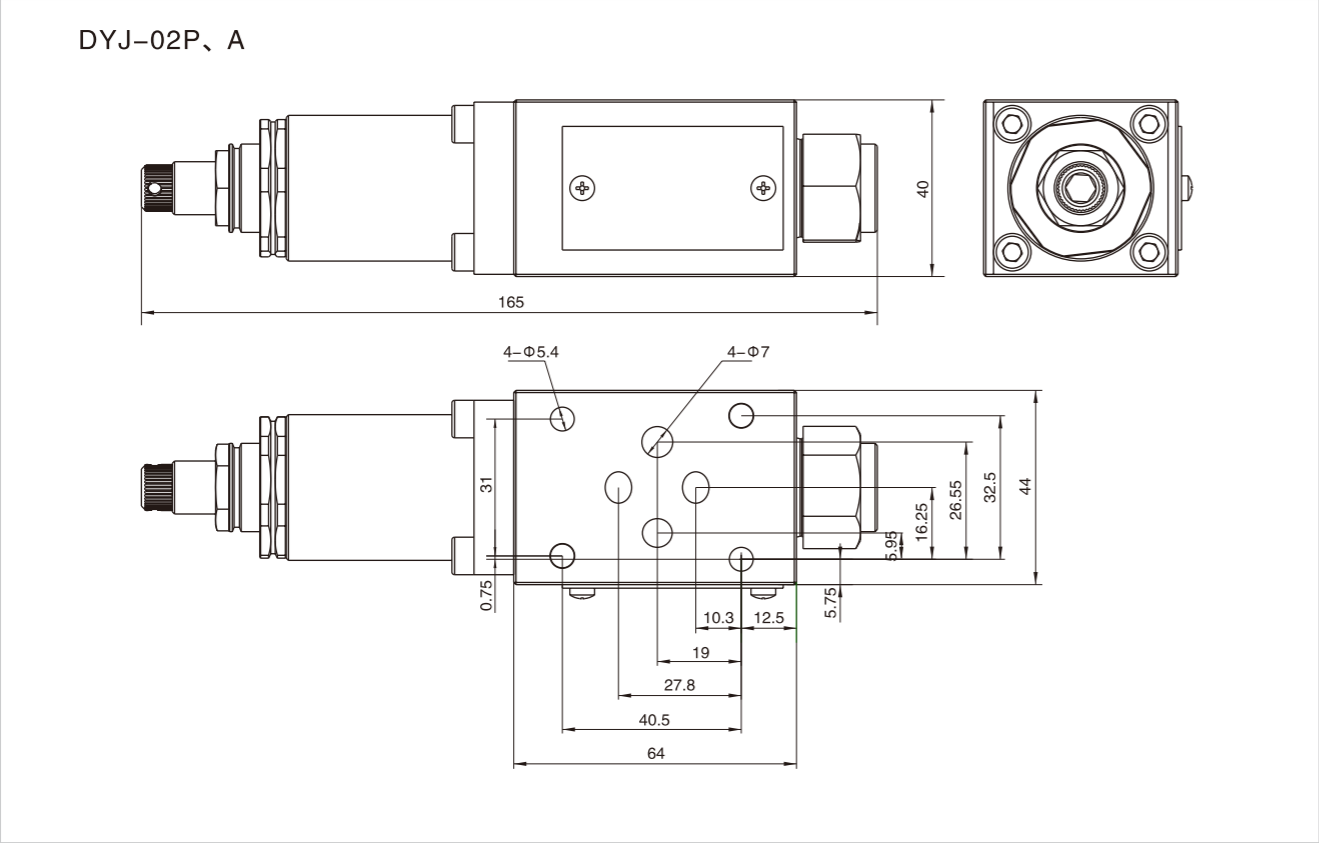


Hydraulic symbol



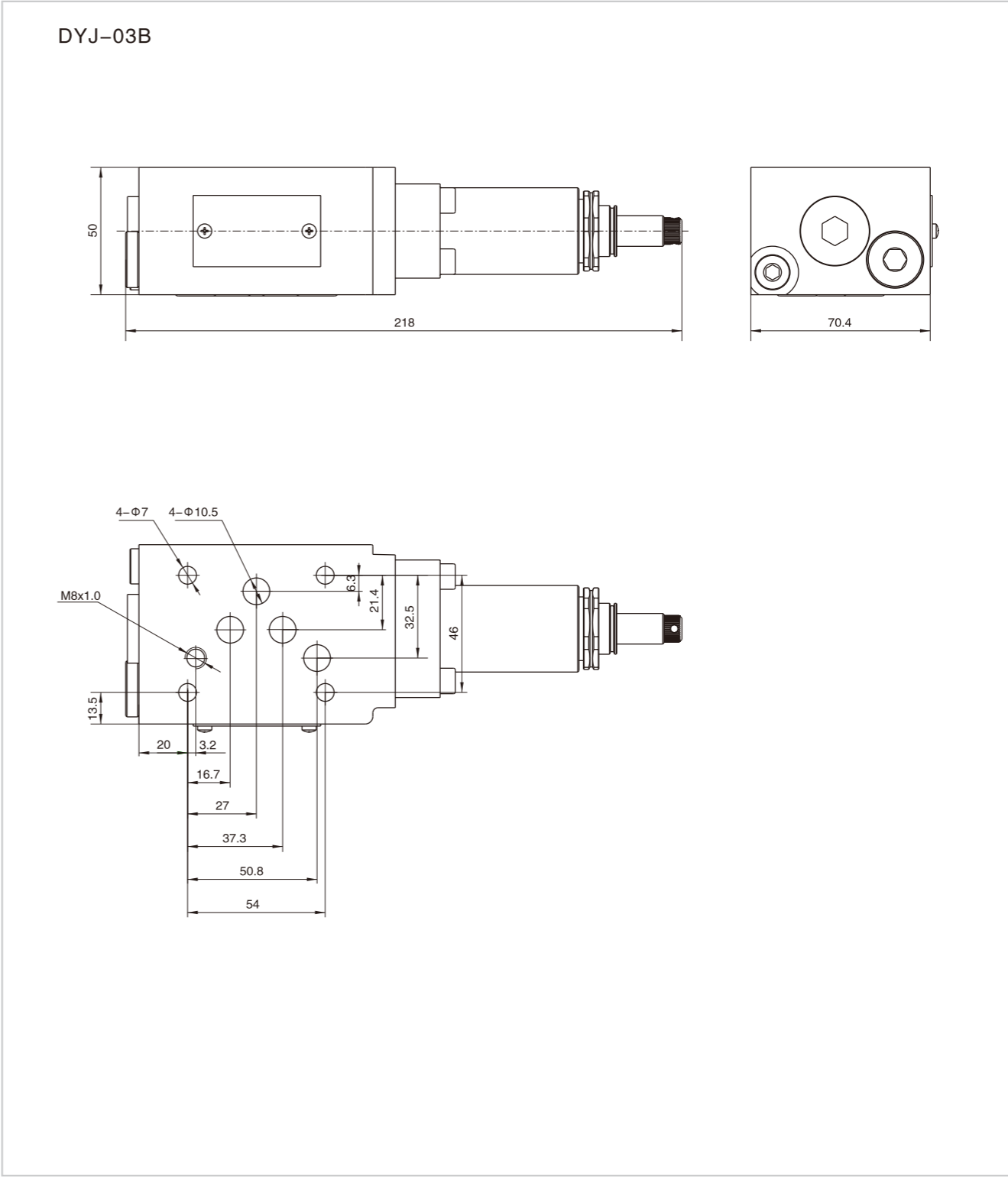
Modular Reducing Valve

Dimension



Modular Reducing Valve

Dimension



Note: The surface, connecting with the valve, should be Ra0.8 roughness, and 0.01/100mm flatness.