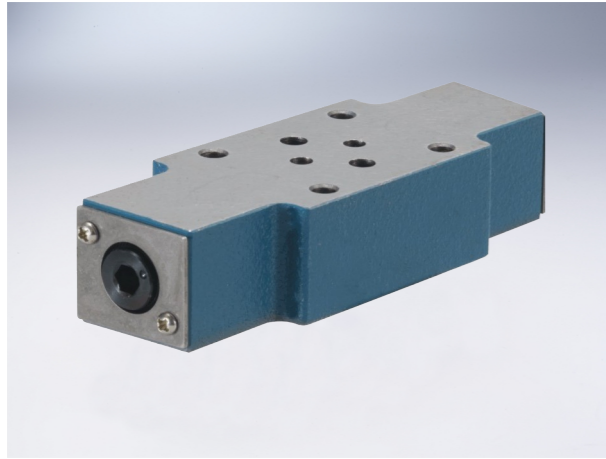


Modular Flow Control Valve

Technical data



Specification	6	10	16	25
Max working pressure (MPa)	31.5			
Max Flow (L/min)	80	160	250	360
Mounting location	Any			
Working fluid	Mineral hydraulic oil; phosphate ester hydraulic oil			
Fluid temp (°C)	-20~70			
Viscosity (Mm ² /s)	10~800			
Cleanliness	NAS1638 Class 9, recommended filtration precision Min $\beta_{10} \geq 75$.			

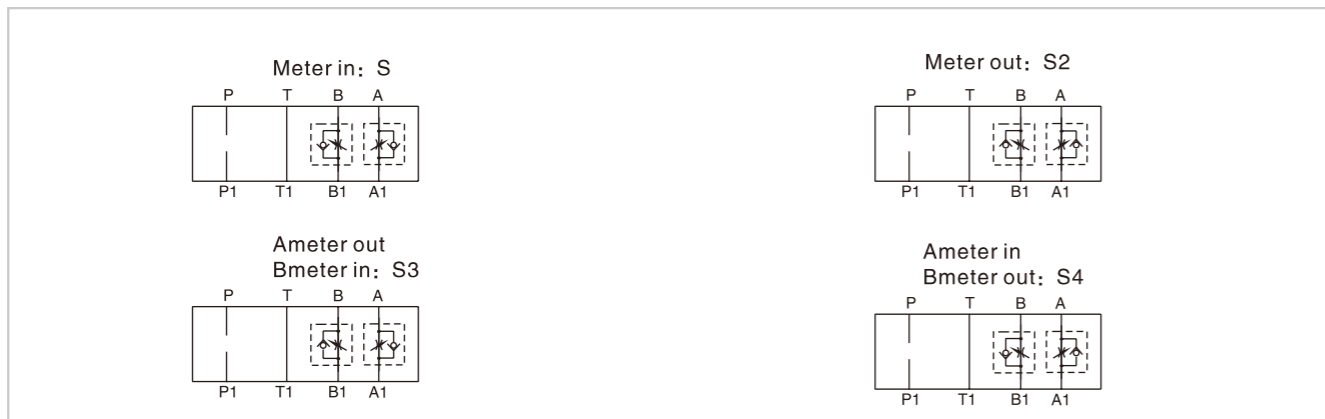
Please consult us if your application is over above-mentioned data.
DLA is to adjust the flow rate of the two working ports or the pilot flow.

Ordering code

DLA - * - a * / * 50 *

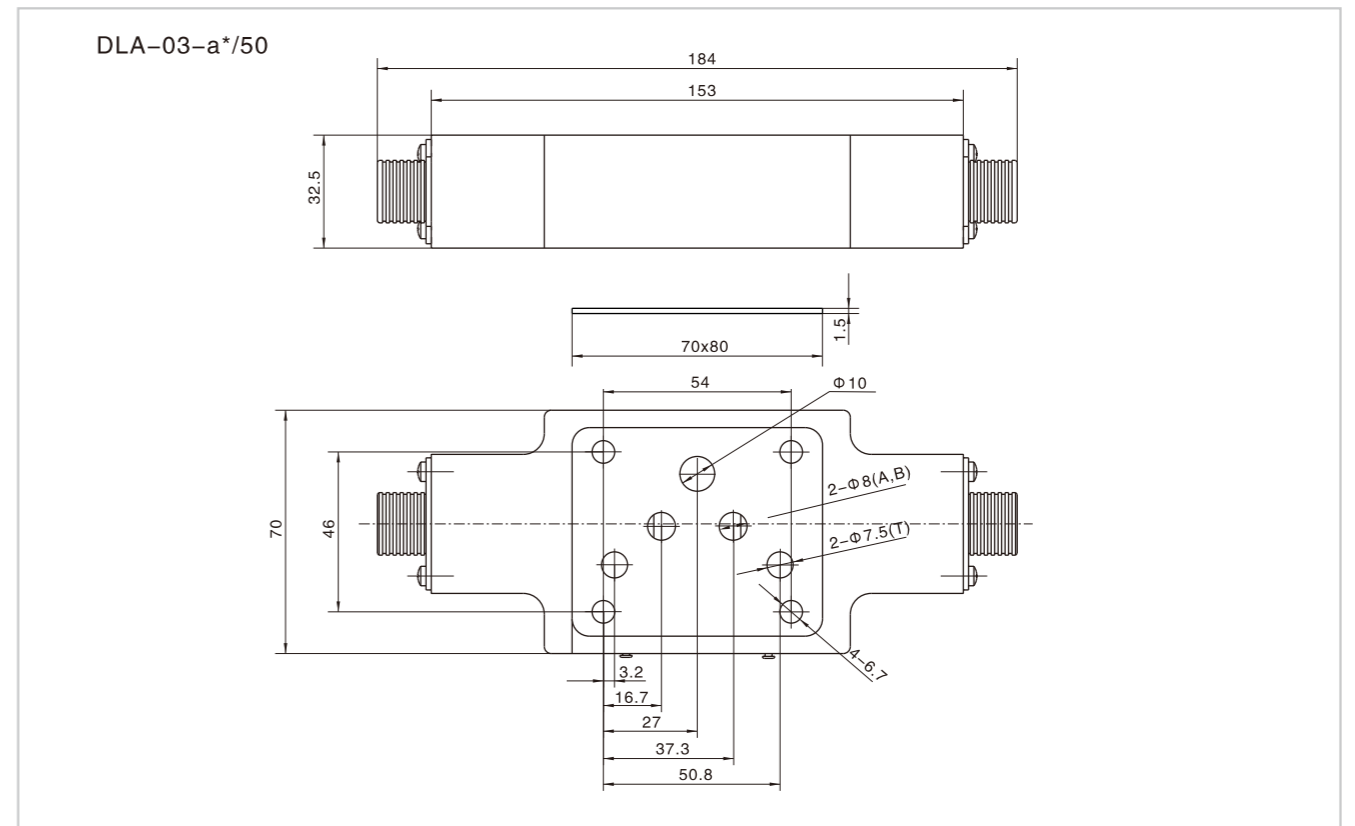
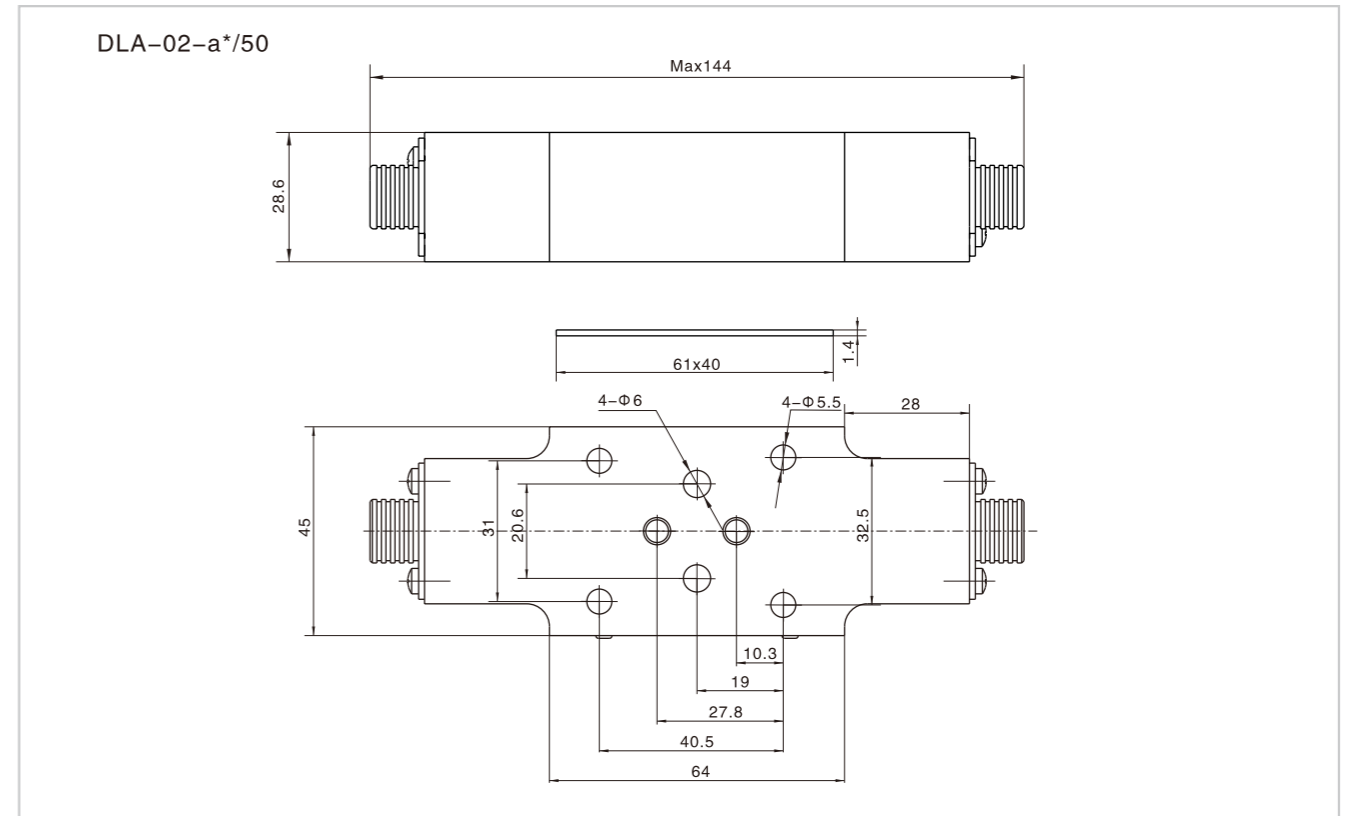
<p>Modular flow control valve</p> <p>Specification 02 Dn6 03 Dn10 04 Dn16 06 Dn25</p> <p>Opening pressure a 0.5MPa</p>	<p>Remark</p> <p>Serial number</p> <p>Seal material omit NBR V FPM</p> <p>S meter in S2 meter out S3 Ameter out, Bmeter in S4 Ameter in, Bmeter out</p> <p>Note: For Dn6 and 10, meter in and meter out can be available by changing the valve body 180° so all these 2 types are marked with "S". For Dn6, S4 is converted from S3, so these 2 types are marked with S3.</p>
--	---

Hydraulic symbol



Modular Flow Control Valve

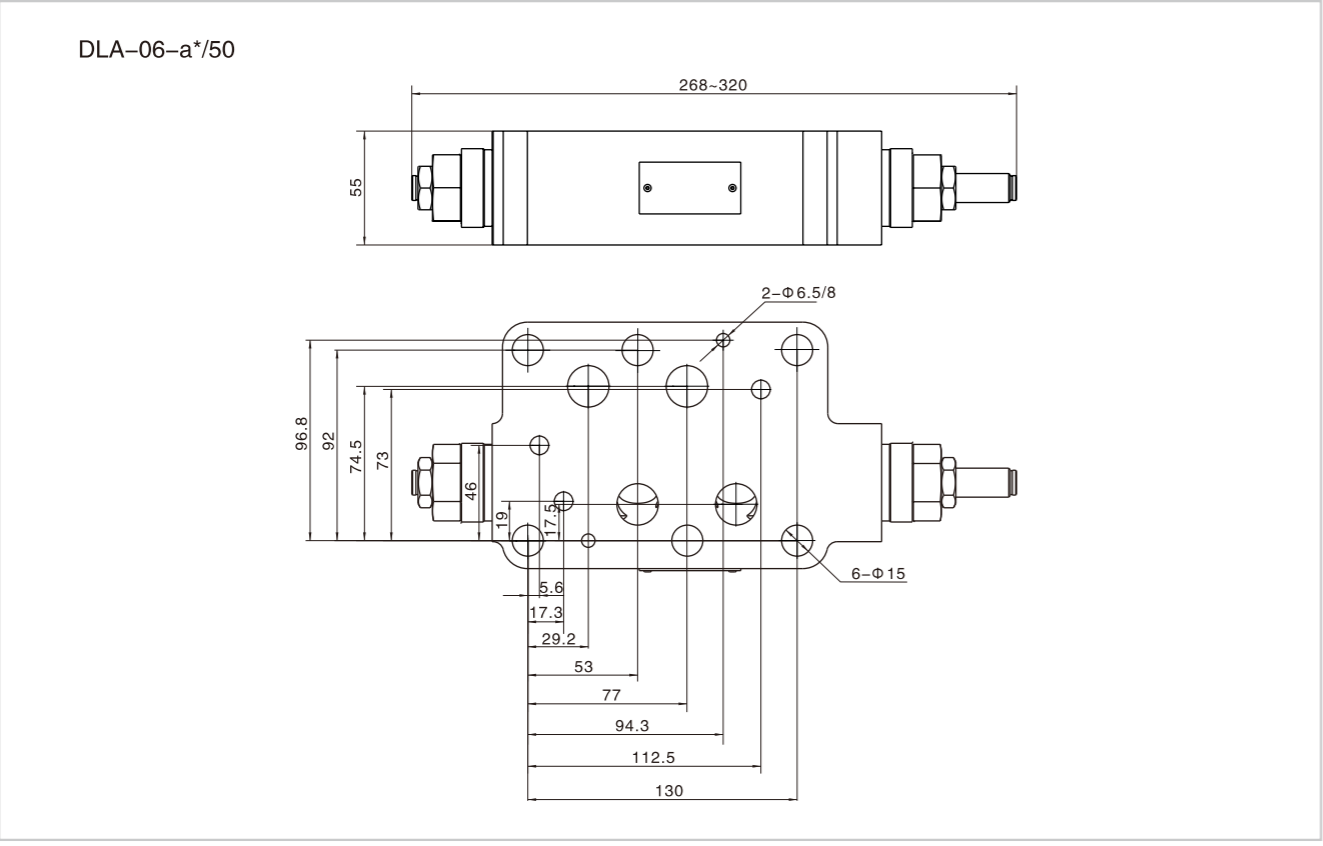
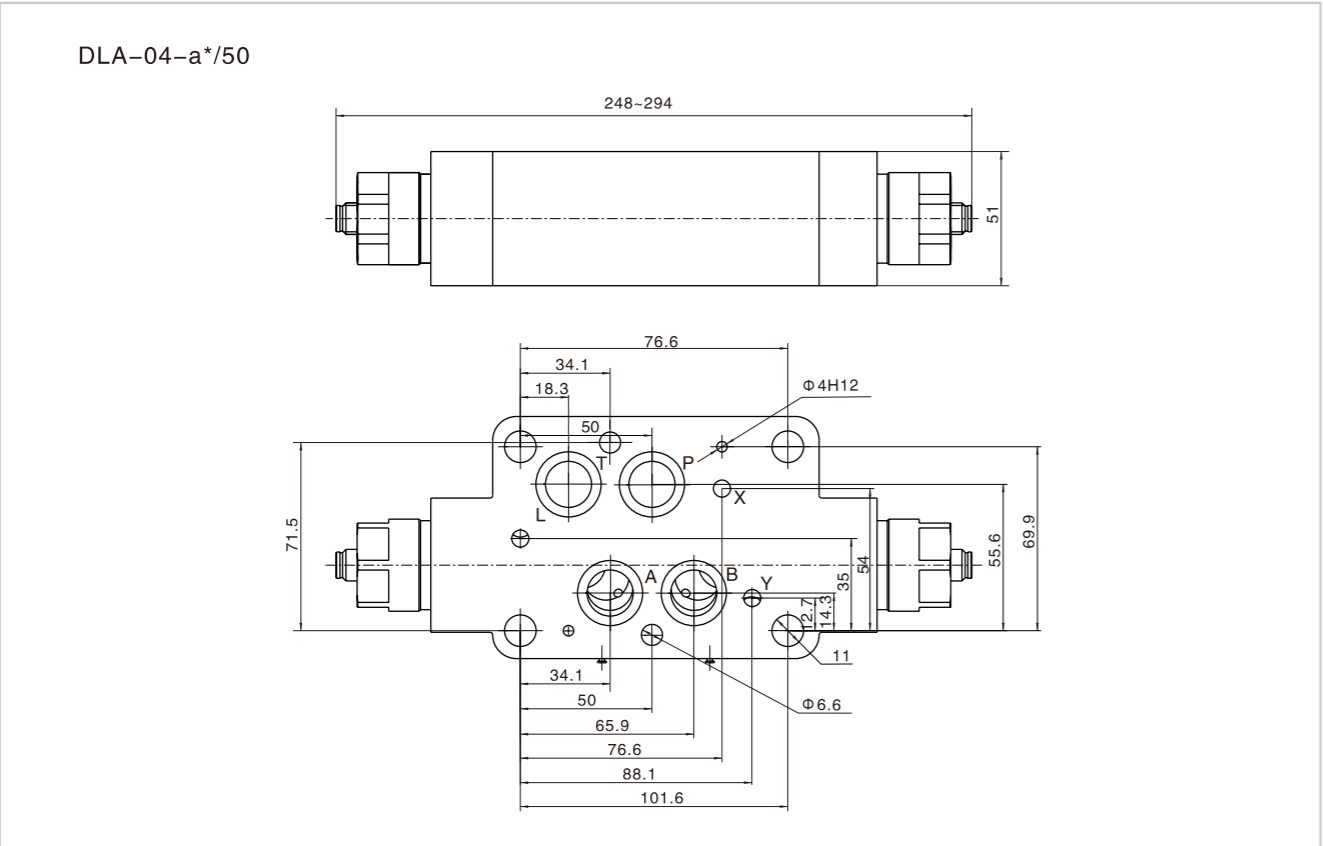
Dimension



Note: The surface, connecting with the valve, should be Ra0.8 roughness, and 0.01/100mm flatness.

Modular Flow Control Valve

Dimension



Flow Control Valve

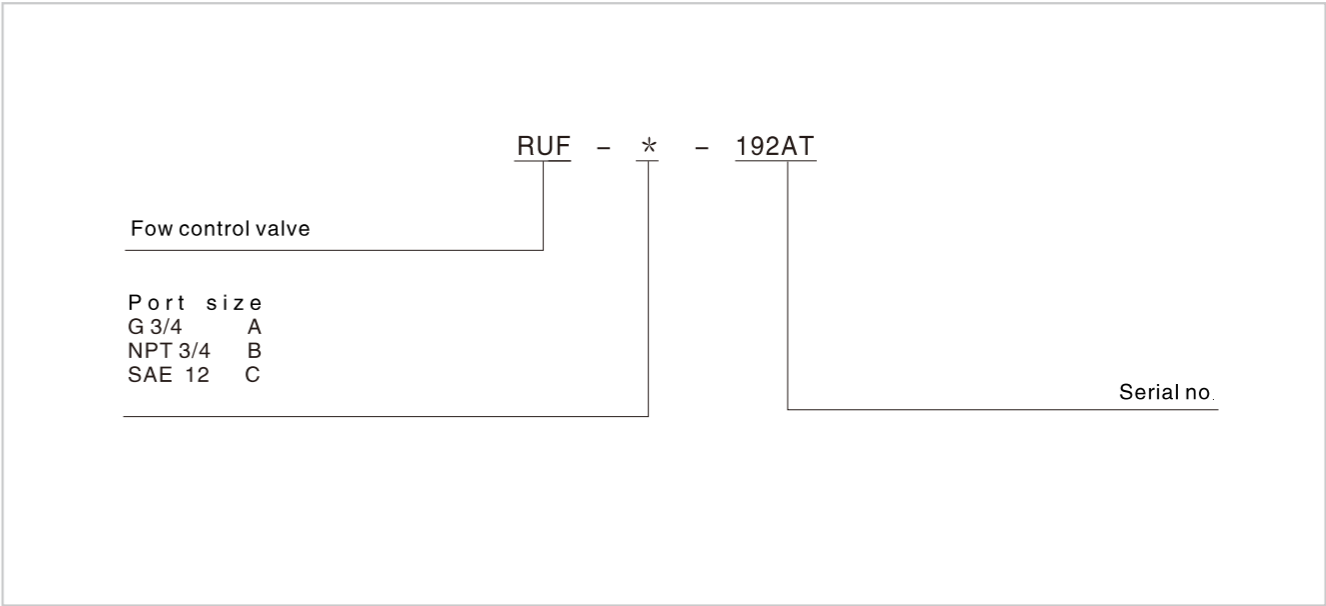
Technical data



Model	RUF-X 192AT
Rated pressure (MPa)	31.5
Min opening pressure (MPa)	2
Max flow rate (L/min)	175
Installation	Any
Working fluid	Mineral oil, Phosphate
Storage temp (°C)	-20~80
Working temp (°C)	-10~60
Cleanliness	NAS1638 Class 9, recommended filtration precision Min $\beta_{10} \geq 75$.

Application:
pipeline type flow control valve is made of a restrictive valve and a check valve, used to adjust the flow rate.

Ordering code



Hydraulic symbol

