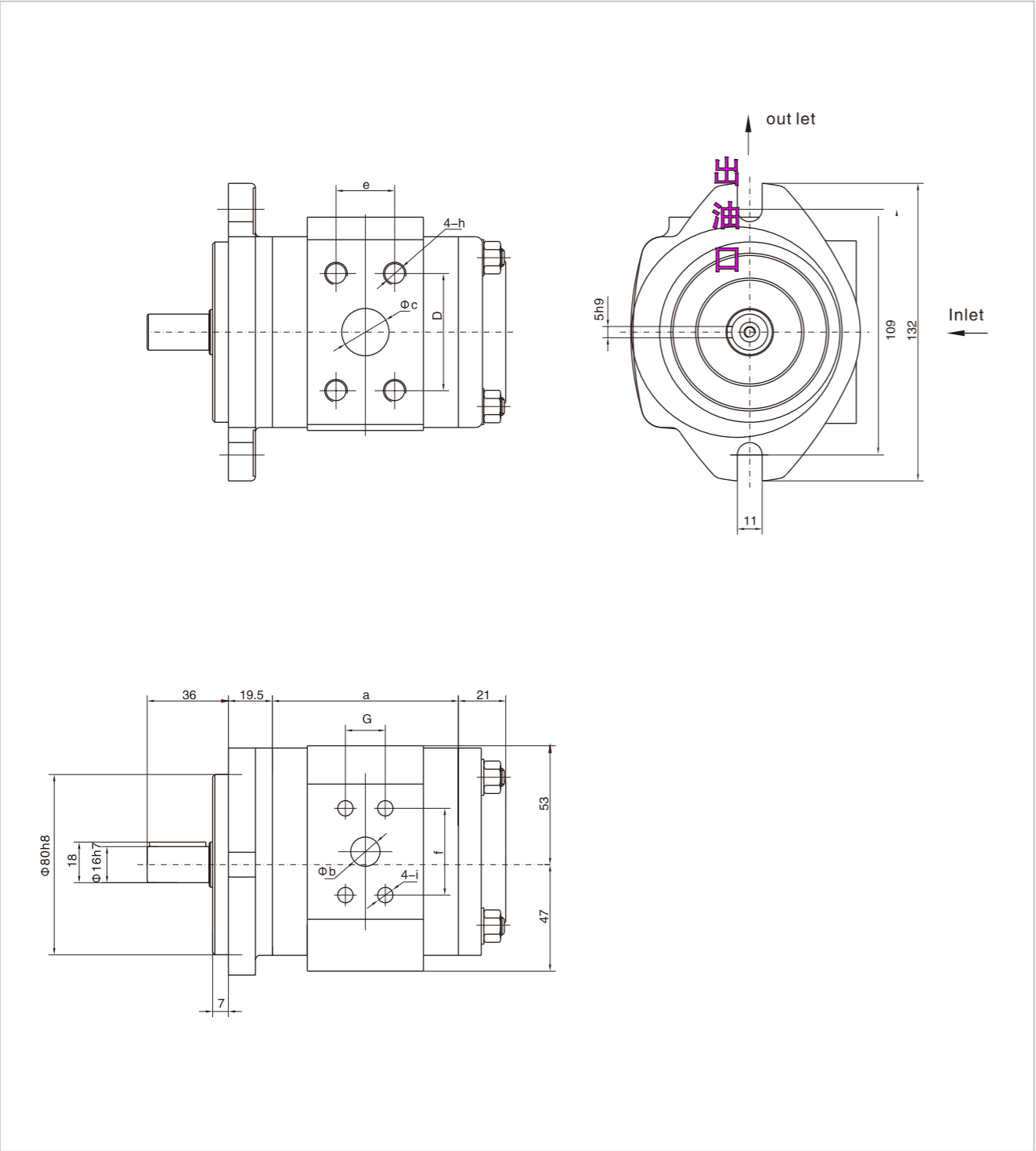


IGP-1 Series Internal Gear Pump

External dimensions



Series-type	a	φ _b	φ _c	d	e	f	g	h	i	kg
IGP-1-3.5	66	9	14	38.1	17.5	38.1	17.5	M8X13	M8X13	4.8
IGP-1-5	70	11	14	38.1	17.5	38.1	17.5	M8X13	M8X13	5.0
IGP-1-6.3	73	11	19	47.5	22	38.1	17.5	M10X15	M8X13	5.2
IGP-1-8	77.5	13	19	47.5	22	38.1	17.5	M10X15	M8X13	5.4
IGP-1-10	82.5	13	21	52.4	26.2	38.1	17.5	M10X15	M8X13	5.6

IGP-2 Series Internal Gear Pump



Technical parameter

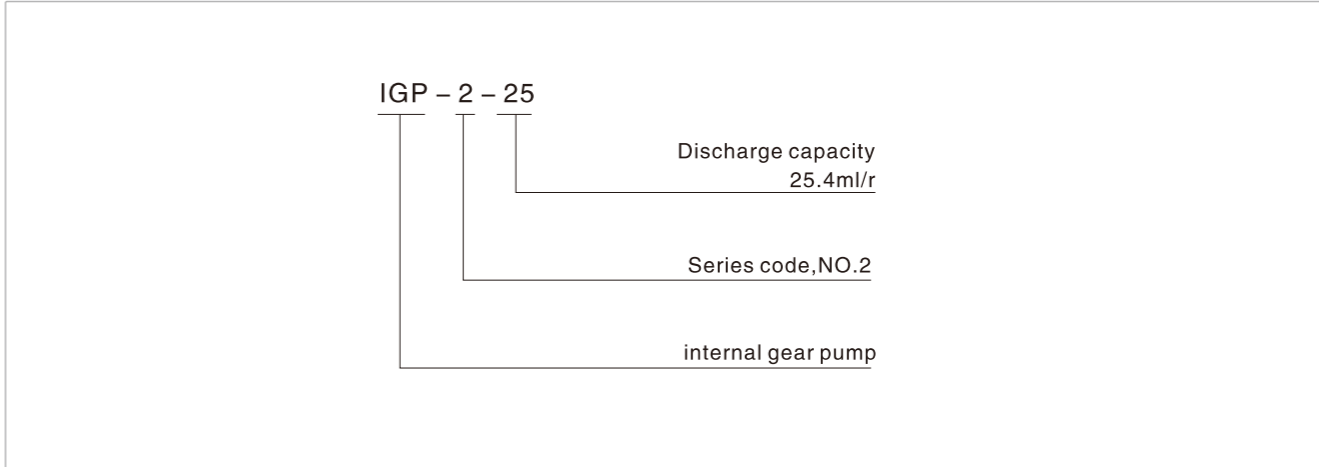
Series-type	Discharge capacity ²⁾ (ml/r)	Revolution speed (r/min)		Continuous working pressure (MPa)	η _{Max} Max surge press (MPa)
		min ³⁾	max		
IGP-2-13	13.3	400	3000	31.5	33
IGP-2-16	16.3	400	3000	31.5	33
IGP-2-20	20.7	400	3000	31.5	33
IGP-2-25	25.4	400	3000	25	28
IGP-2-32	32.3	400	3000	25	28

This parameter is indicated on the condition that mineral oil viscosity is 20-40cst and pump suction oil pressure is 0.8bar(minimum)and 3bar(maximum).

The parameter shown in the table is listed according to the discharge capacity unit as cubic centimeter/r in order.

Notice: so-called allowed surge pressure is indicated that within one minute as working cycle, of which 15% is the allowed pressure peak. Because of manufacturing error, the actual discharge capacity of the pump may be lower than that of ideal valve about 1.5%. When revolution speed is lower than 400r/min or between 1500r/min and n Max, please contact us, so as to ensure surge pressure.

Model instruction

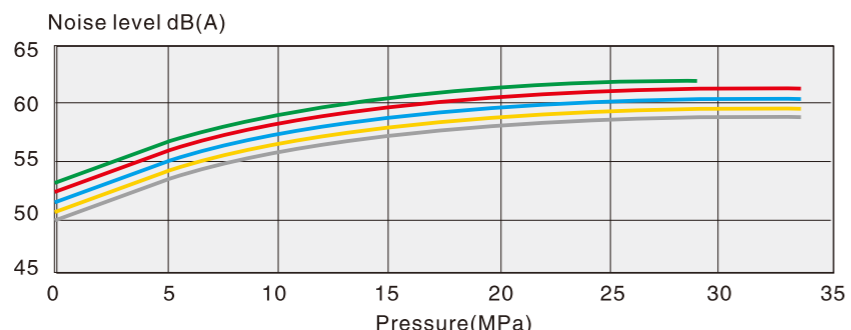
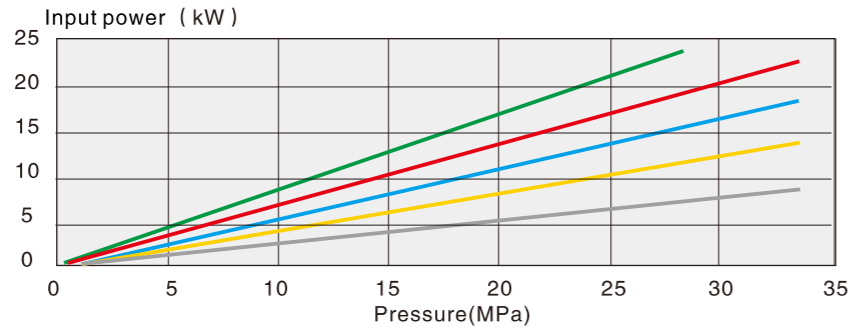
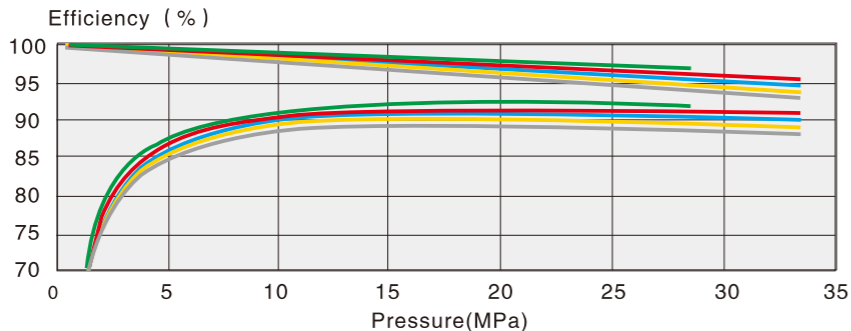
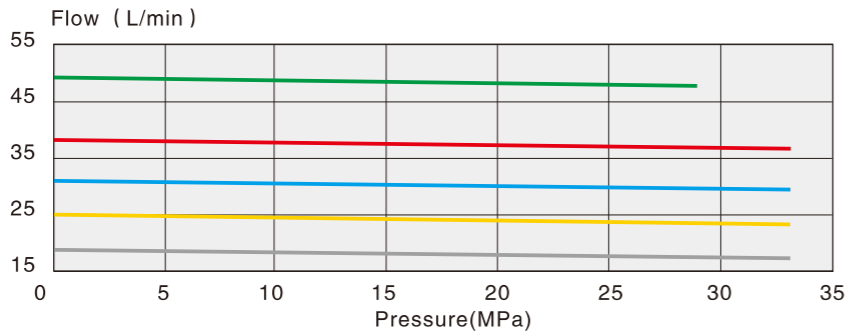


IGP-2 Series Internal Gear Pump

IGP-1 performance curves

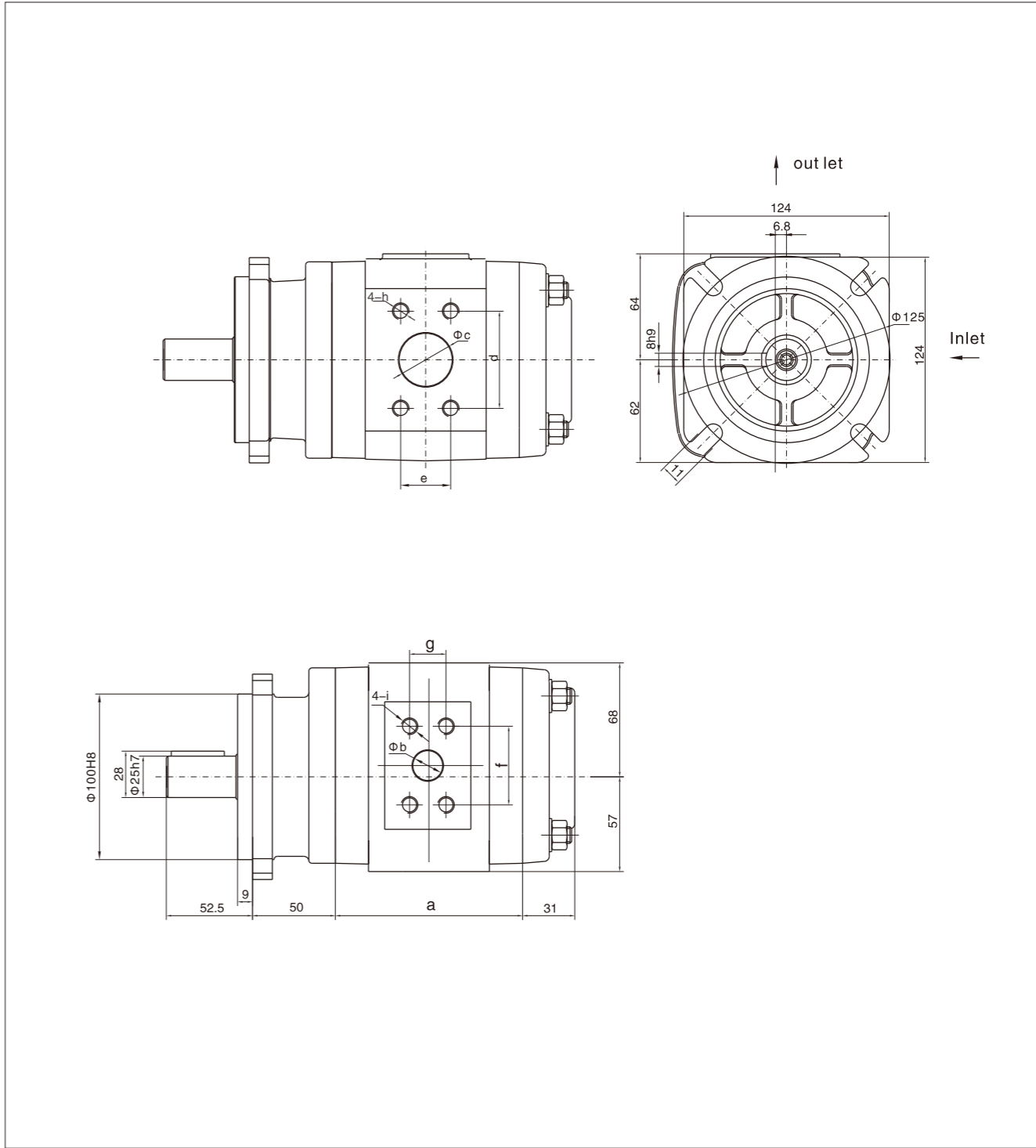
Measuring working condition 1450
 Revolution speed n=1500r/min
 Viscosity v=46cSt
 Oil temperature t=40°C

- IGP -2 (13)
- IGP -2 (16)
- IGP -2 (20)
- IGP -2 (25)
- IGP -2 (32)



IGP-2 Series Internal Gear Pump

External dimensions



Series-type	a	φb	φc	d	e	f	g	h	i	kg
IGP-2-13	88.5	13	23	52.4	26.2	38.1	17.5	M10X15	M8X13	9.6
IGP-2-16	92.5	14	25	52.4	26.2	38.1	17.5	M10X15	M8X13	10.0
IGP-2-20	98	18	27	58.7	30.2	47.5	22	M10X15	M10X15	10.6
IGP-2-25	104	18	30	58.7	30.2	47.5	22	M10X15	M10X15	11.2
IGP-2-32	113	18	32	58.7	30.2	47.5	22	M10X15	M10X15	12.0