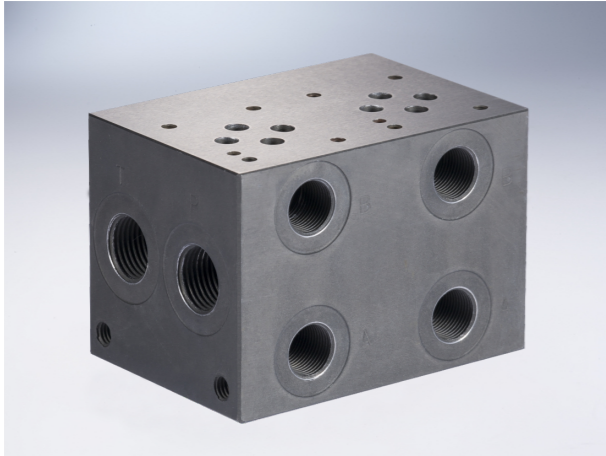


D03 Standard Flow Parallel Circuit Manifold



Ordering information

HY* D03 P * 2 * / * / 10

A Aluminum 7A04 max. working pressure 20.7Mpa
 D Ductile Iron 45# max. working pressure 31.5Mpa

Valve Pattern 03 NG 6

Parallel Circuit Standard Flow

No. of Stations
 01-16

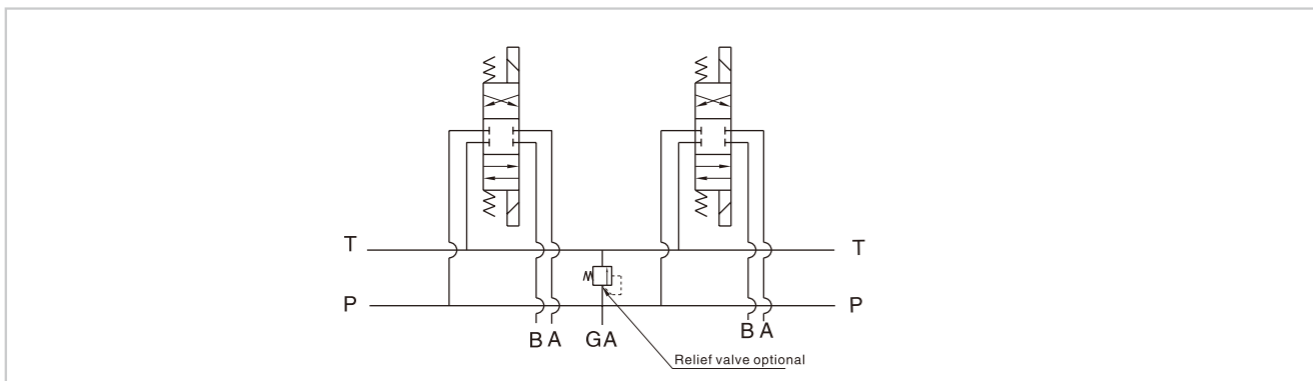
Valve Spacing
 2.13 inch [54.0 mm]

Serial number

Omit	cavities not required
C	One Common cavity: C-10-2 (P in nose)
S	One Sun Cavity: T-10A (P in nose)

Port Threads	P, T	A, B	GA
P NPT(Z)	0.5	0.38	0.25
S SAE	-10	-8	-6
B BSP(G)	0.5	0.38	None
M M	M22x1.5	M18x1.5	None

Code Symbol



D03 Standard Flow Parallel Circuit Manifold

External dimensions

Model-View relationship

Relief valve cavity (optional)

Port code	Valve mounting thread.	Manifold mounting thread.
P,S	#10-24 UNCx 0.63[16]DP	0.31-18 UNCx 0.44[11.1] DP
B,M	M5 ISO 6Hx 0.63[16]DP	M8 ISO 6Hx 0.44[11.1] DP

No. of stations	* 01	02	03	04	05	06	07	08	09	10	11	12	13	14	15	16
"A" length inch (mm)	2.13 [54.0]	4.25 [108.0]	6.38 [162.1]	8.50 [215.9]	10.63 [270.0]	12.75 [323.9]	14.88 [378.0]	17.00 [431.8]	19.13 [485.9]	21.25 [539.8]	23.38 [593.9]	25.5 [647.7]	27.63 [701.8]	29.75 [755.7]	31.88 [809.8]	34.00 [853.6]
apx. Weight alum (KG)	3 [1]	4 [2]	6 [3]	8 [4]	9 [4]	11 [5]	12 [5]	14 [6]	16 [7]	18 [8]	20 [9]	21 [10]	22 [10]	24 [11]	26 [12]	27 [12]
apx. Weight ferrous (KG)	5 [2]	9 [4]	13 [6]	17 [8]	21 [10]	26 [12]	30 [14]	34 [15]	38 [17]	42 [19]	47 [21]	51 [23]	55 [25]	59 [27]	63 [29]	68 [31]

* 1 Length of 01 station with relief cavity is 3 (76.2) . Gauge port not available on 01 station