

D03 Series Circuit Manifold

D03 Series Circuit Manifold



External dimensions

O.2.1

O.2.2

Ordering information

HY* D03 S * 2 * / * / 10

A Aluminum 7A04 max. working pressure 20.7Mpa
 D Ductile Iron 45# max. working pressure 31.5Mpa

Valve Pattern 03 NG 6

Parallel Circuit Standard Flow

No. of Stations
 02-08

Valve Spacing
 2.13 inch [54.0 mm]

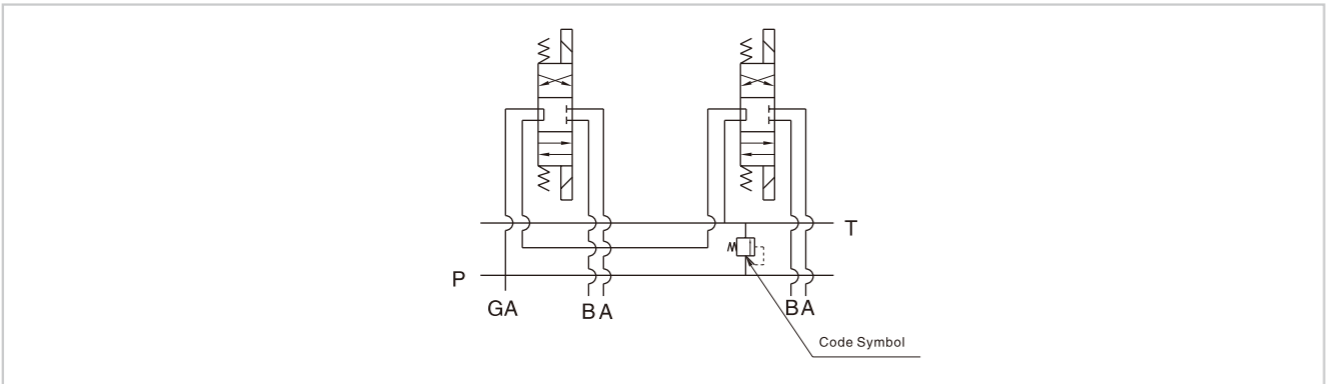
Serial number

Omit	cavities not required
C	One Common cavity: C-10-2 (P in nose)
S	One Sun Cavity: T-10A (P in nose)

Port Threads	P, T	A, B	GA
P NPT(Z)	0.5	0.38	0.25
S SAE	-10	-8	-6
B BSP(G)	0.5	0.38	None
M M	M22x1.5	M18x1.5	None

Port code	Valve mounting thread	Manifold mounting thread
P,S	#10-24 UNCx 0.63[16]DP	0.31-18 UNCx 0.44[11.1] DP
B,M	M5 ISO 6Hx 0.63[16]DP	M8 ISO 6Hx 0.44[11.1] DP

Code Symbol



No. of stations	02	03	04	05	06	07	08
"A" length inch (mm)	4.25 [108.0]	6.38 [162.1]	8.50 [215.9]	10.63 [270.0]	12.75 [323.9]	14.88 [378.0]	17.00 [431.8]
apx. Weight alum (KG)	4 [2]	6 [3]	8 [4]	9 [4]	11 [5]	12 [5]	14 [6]
apx. Weight ferrous (KG)	9 [4]	13 [6]	17 [8]	23 [10]	26 [12]	-	-