

D05 Series Circuit Manifold

D05 Series Circuit Manifold



D05 Series circuit manifold

O.4.1

O.4.2

Ordering information

HY* D05 S * 3 * / * / 10

A Aluminum 7A04 max. working pressure 20.7Mpa
 D Ductile Iron45# max. working pressure 31.5Mpa

Valve Pattern 05 NS 10

Parallel Circuit Standard Flow

No. of Stations
 02-04

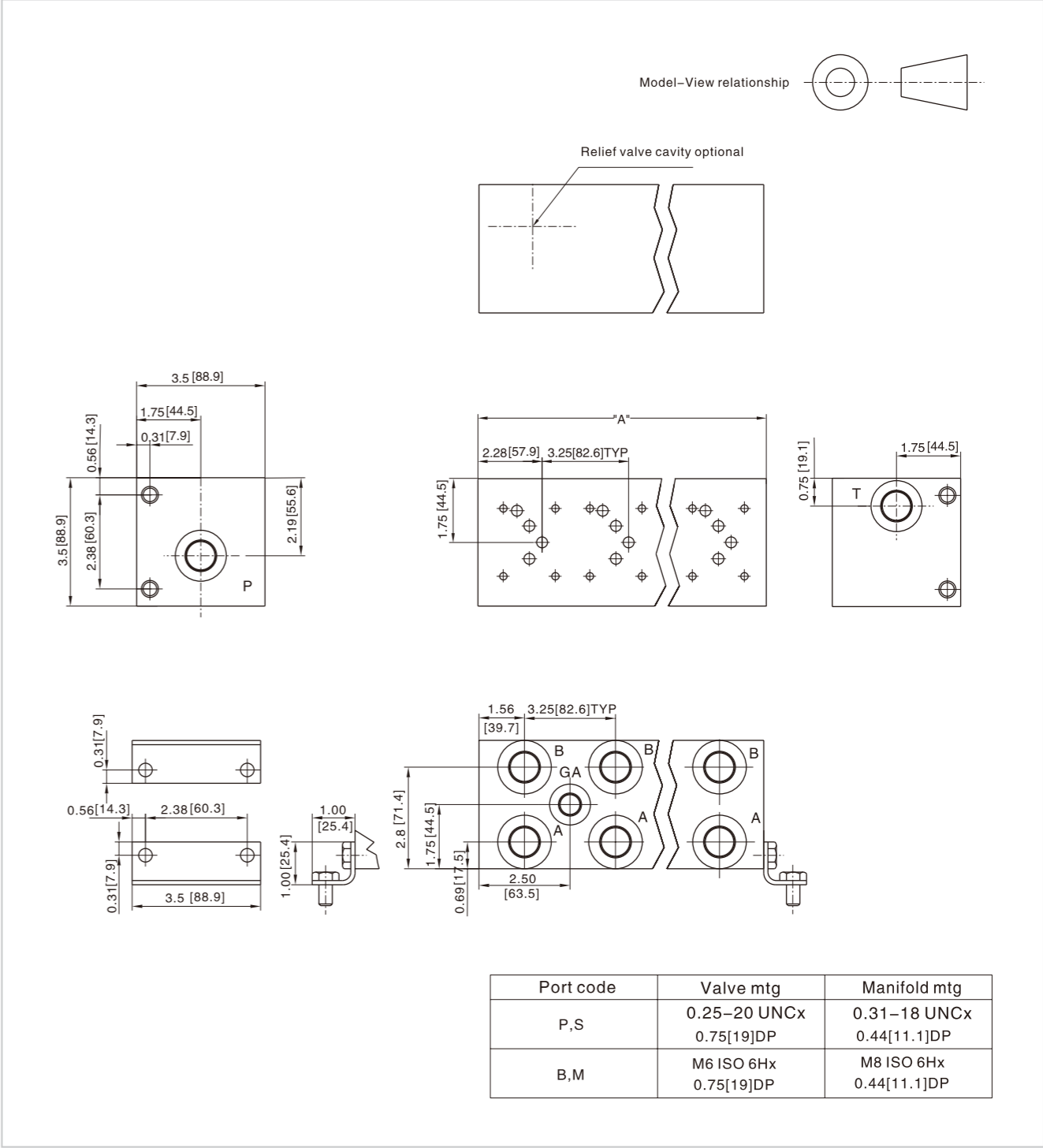
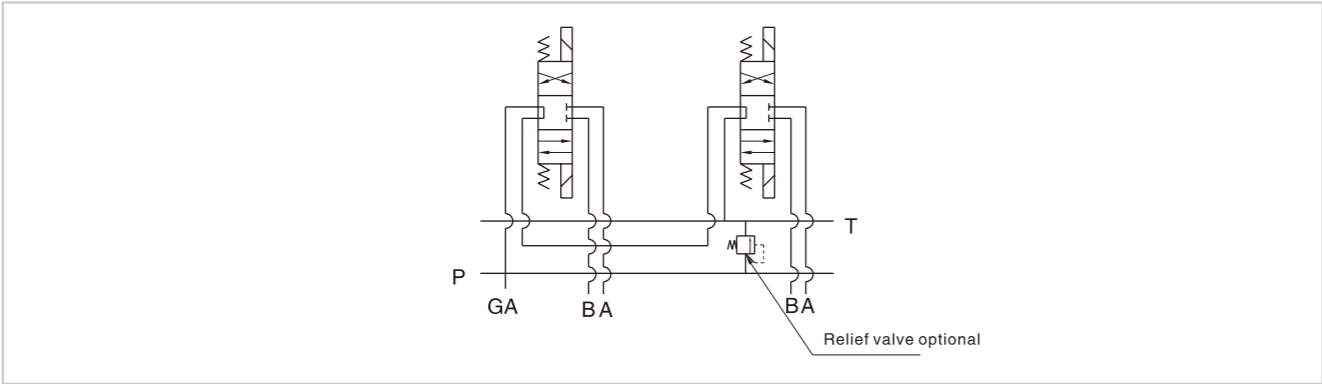
No. of Stations
 3.25 inch [82.6 mm]

Serial number

Omit	Cavities not required
C	One Common cavity: C-10-2 (P in nose)
S	One Sun Cavity: T-3A (P in nose)

Port Threads	P, T	A, B	GA
P	NPT(Z)	0.75	0.5
S	SAE	-12	-8
B	BSP(G)	0.75	0.5
M	M	M27x2	M18x1.5

Code symbol



No. of stations	02	03	04
No. of stations	6.50	9.75	13.00
	[165.1]	[247.7]	[330.2]
apx. Weight alum (KG)	8	11	14
	[4]	[5]	[7]
apx. Weight ferrous (KG)	17	26	34
	[8]	[12]	[15]