

## Cylindric Double Pilot Operated Check Valve

### Technical specification

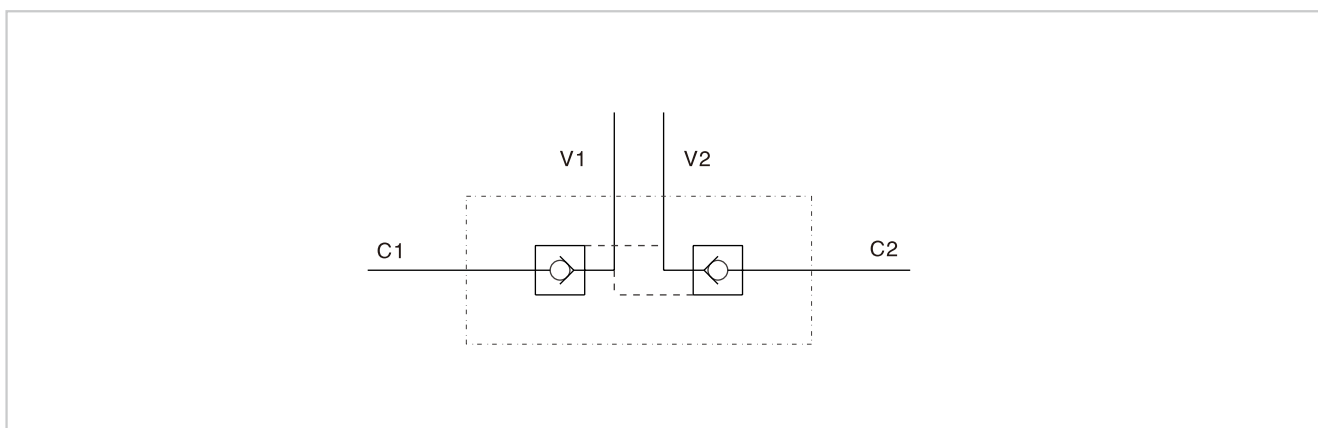


Specification	3/8" CILINDRICA
Pilot ratio	1:5
Max flow (L/min)	45
Max pressure (Bar)	350
Cracking Pressure (Bar)	3

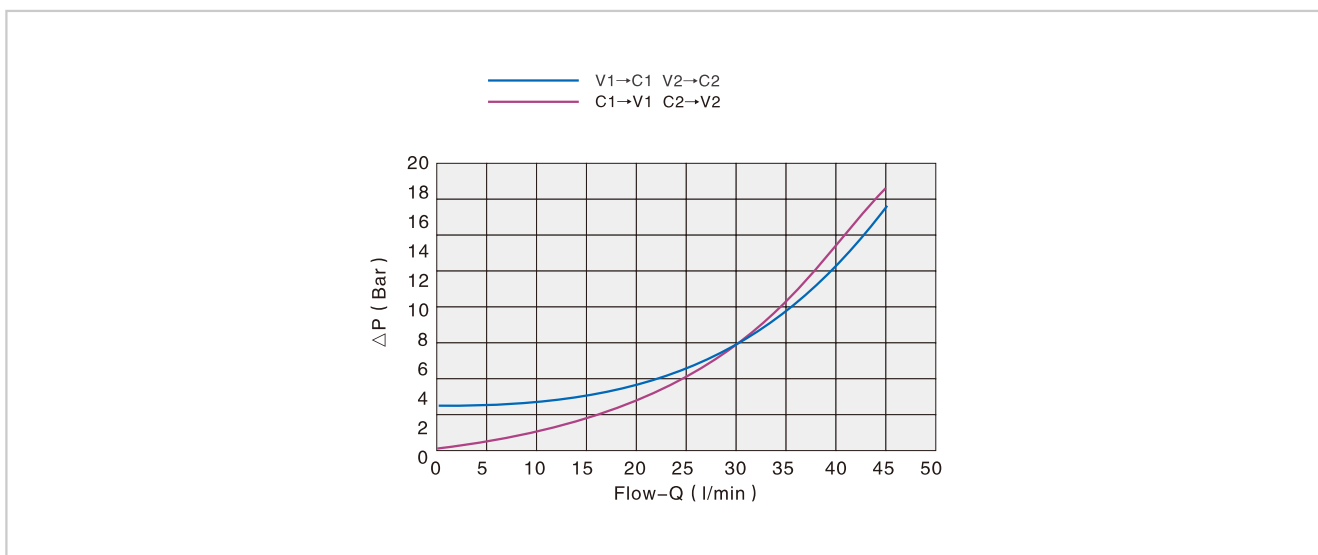
**Use and operation:**  
 Pilot check valves are used to block the actuator in both directions. Flow is free in one direction and blocked in the reverse direction until pilot pressure is applied. cylinder through instead of the standard one(parallelepiped).

**Applications:**  
 Connect V1 and V2 to the pressure flow and C1 and C2 to the actuator.

### Code symbol

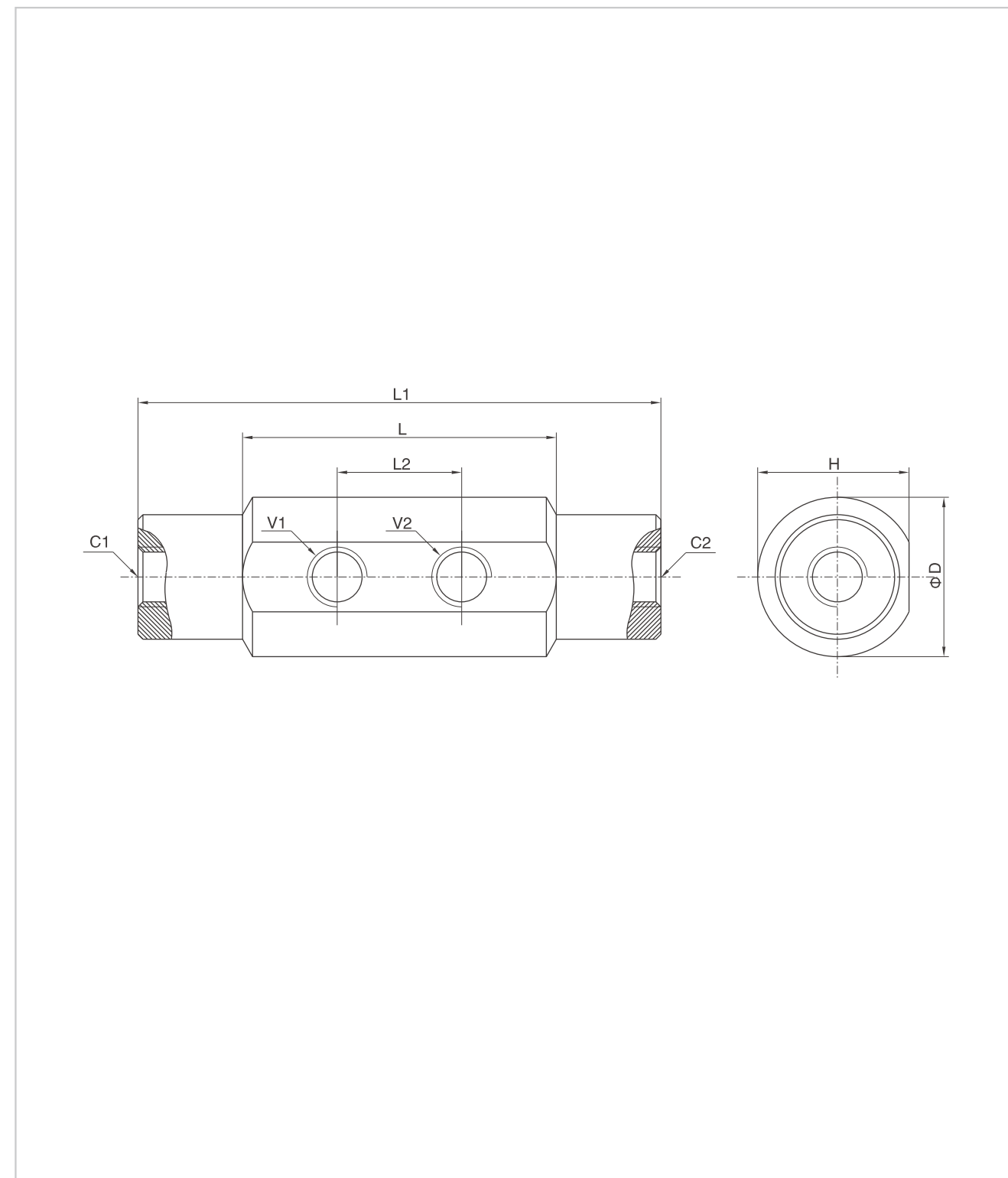


### Pressure drops curve



## Cylindric Double Pilot Operated Check Valve

### External dimensions



Type	V1/V2/C1/C2	L	L1	L2	L3	H	D
HYVBPDE 3/8" CILINDRICA	G 3/8"	100	156	41	44	44	48