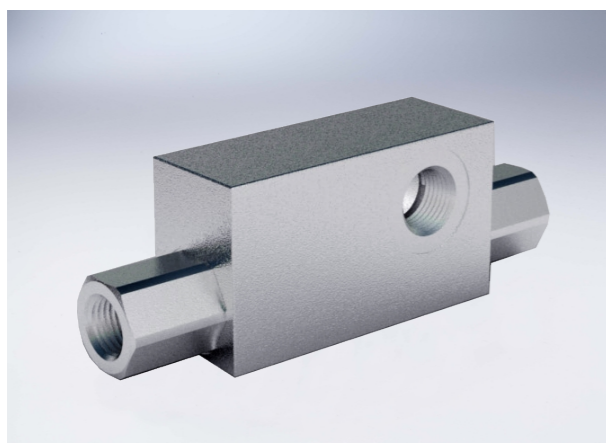


## Double Pilot Operated Check Valves With Lateral Joins

### Technical specification

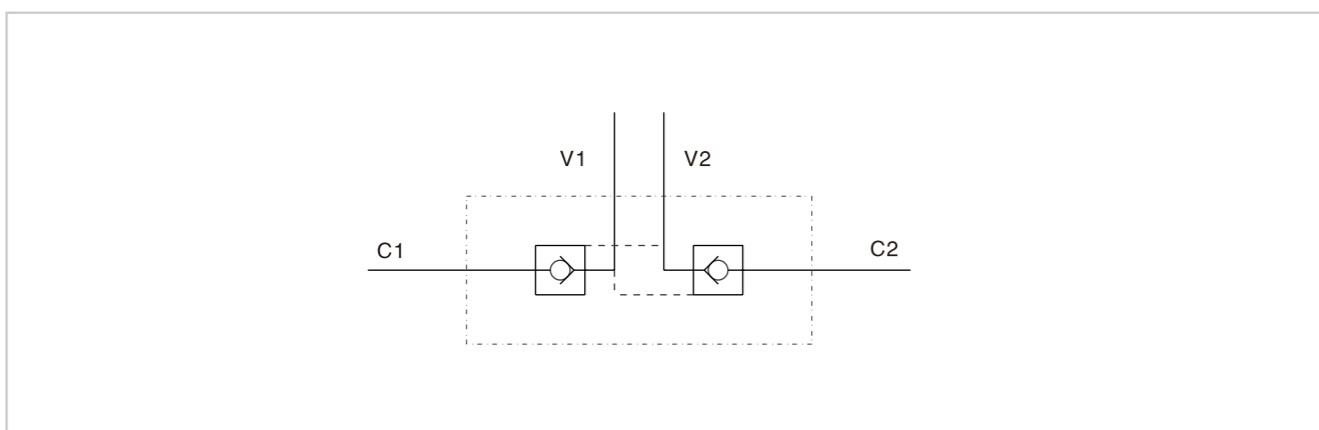


Specification	1/4" AL	3/8" AL
Pilot ratio	1:5.5	
Mex flow (L/min)	20	35
Max pressure (Bar)	350	
Cracking Pressure (Bar)	4	3

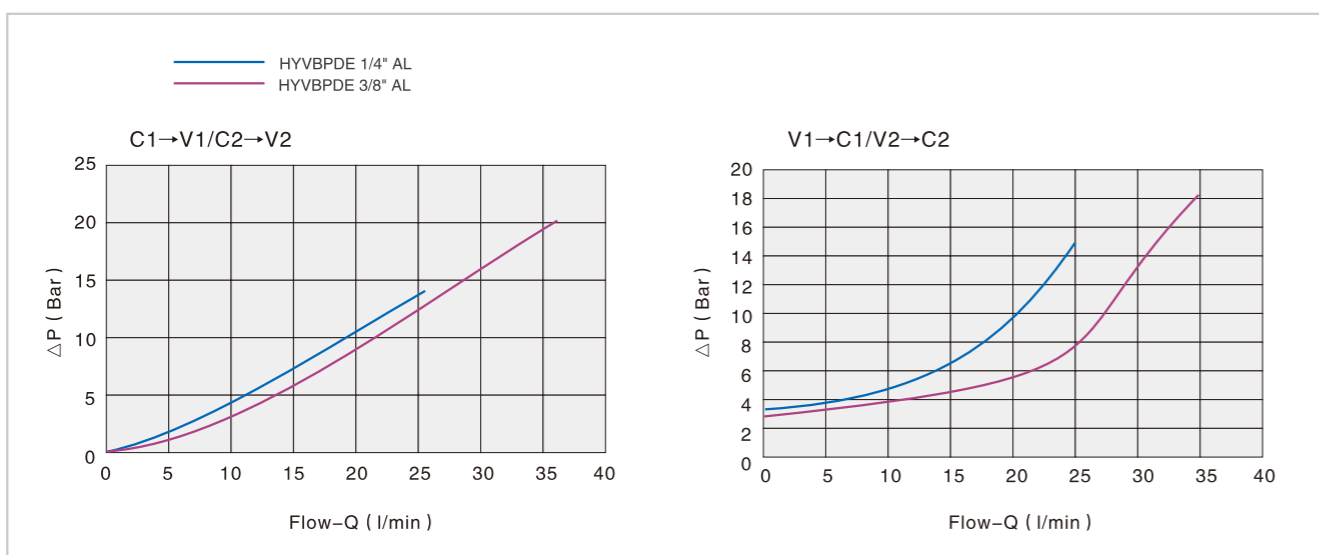
**Use and operation:**  
 Pilot check valves are used to block the cylinder in both directions. Flow is free in one direction and blocked in the reverse direction until pilot pressure is applied. The feature of valve is the side positioned ports.

**Applications:**  
 Connect V1 and V2 to the pressure flow and C1 and C2 to the actuator.

### Code symbol

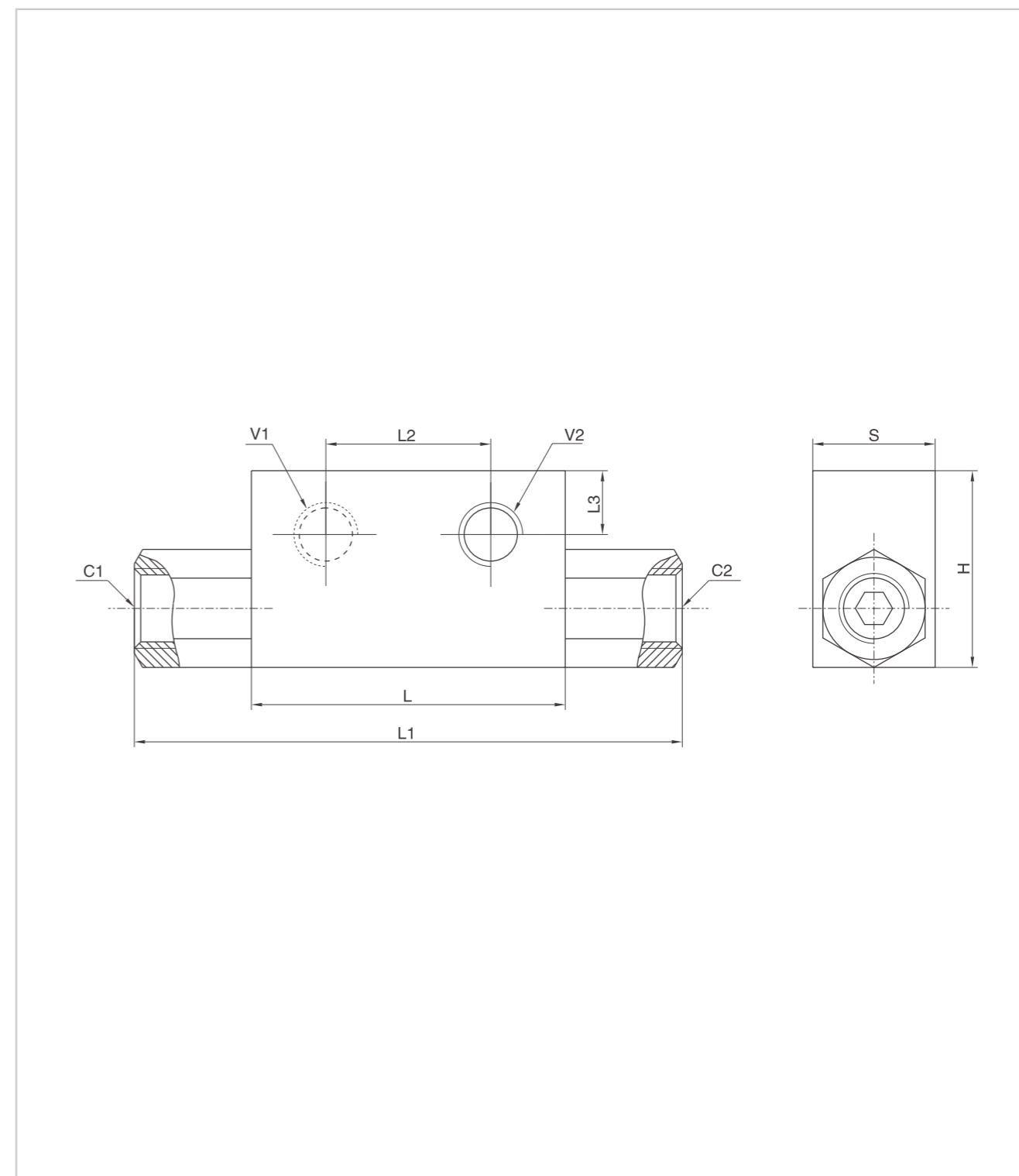


### Pressure drops curve



## Double Pilot Operated Check Valves With Lateral Joins

### External dimensions



Type	V1/V2/C1/C2	L	L1	L2	L3	H	S
HYVPDE 1/4" AL	G 1/4"	68	118	34	13	40	30
HYVPDE 3/8" AL	G 3/8"	80	130	38	16	45	30