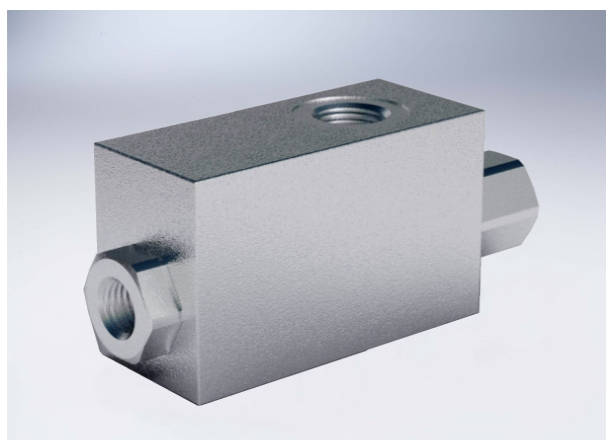


## Single Pilot Operated Check Valves, High Pilot

### Technical specification



Specification	SE 1/4"	SE 3/8"	SE 1/2"
Pilot ratio	1:8	1:8	1:7
Max flow (L/min)	20	40	70
Max pressure (Bar)	350		
Cracking Pressure (Bar)	4	3.5	3.5

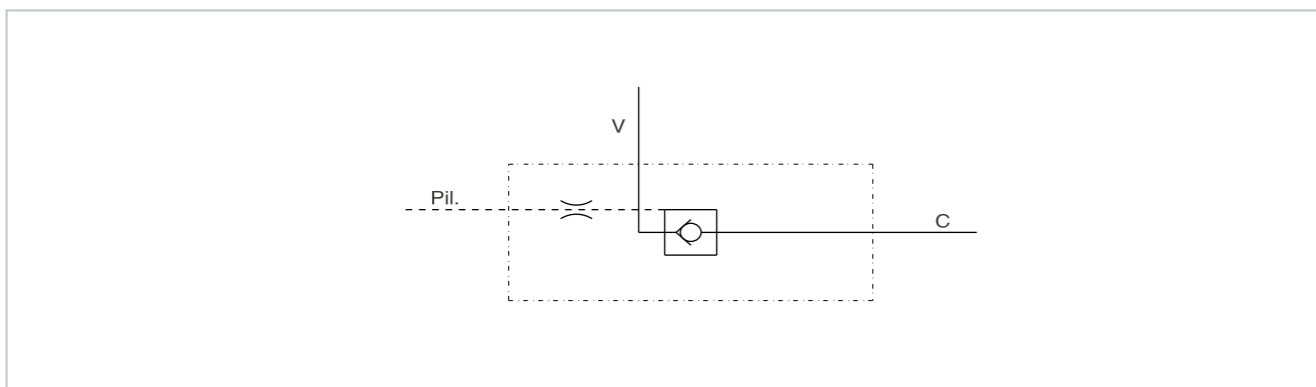
#### Use and operation:

These valves are used to block the cylinder in one direction. The flow is free in one direction and blocked in the reverse direction until pilot pressure is applied. Thanks to its high pilot ratio and to a time-lag locking device, it's suitable to avoid vibrations in circuits with heavy loads.

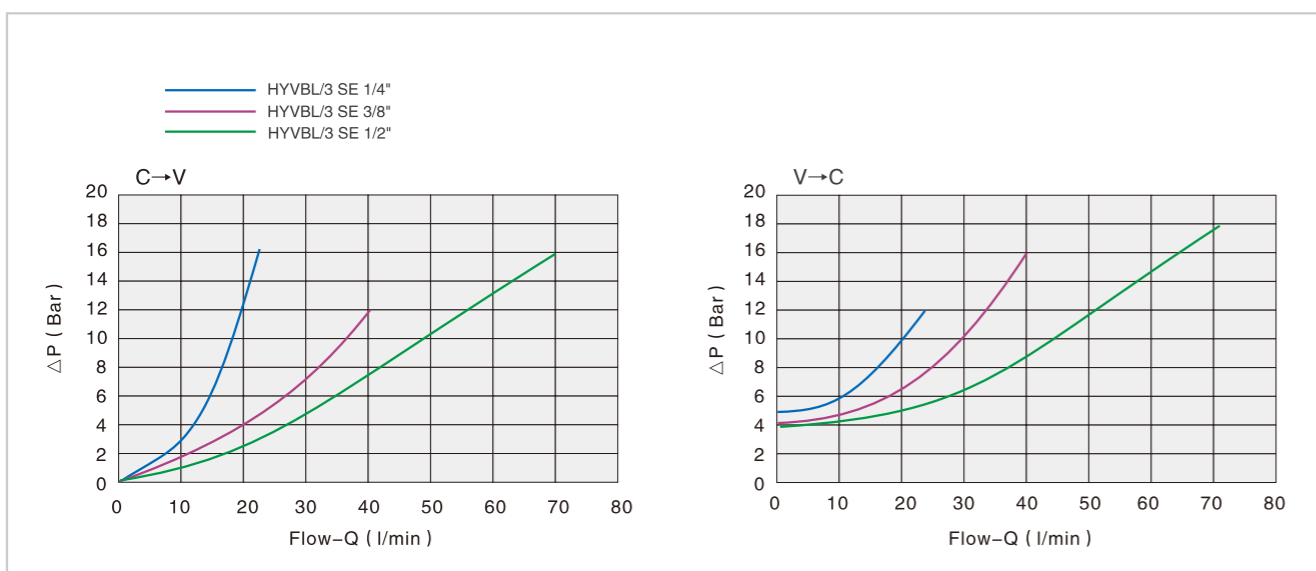
#### Applications:

Connect V to the pressure flow, C to the actuator's side you want the flow to be blocked and Pil to the pilot line.

### Code symbol

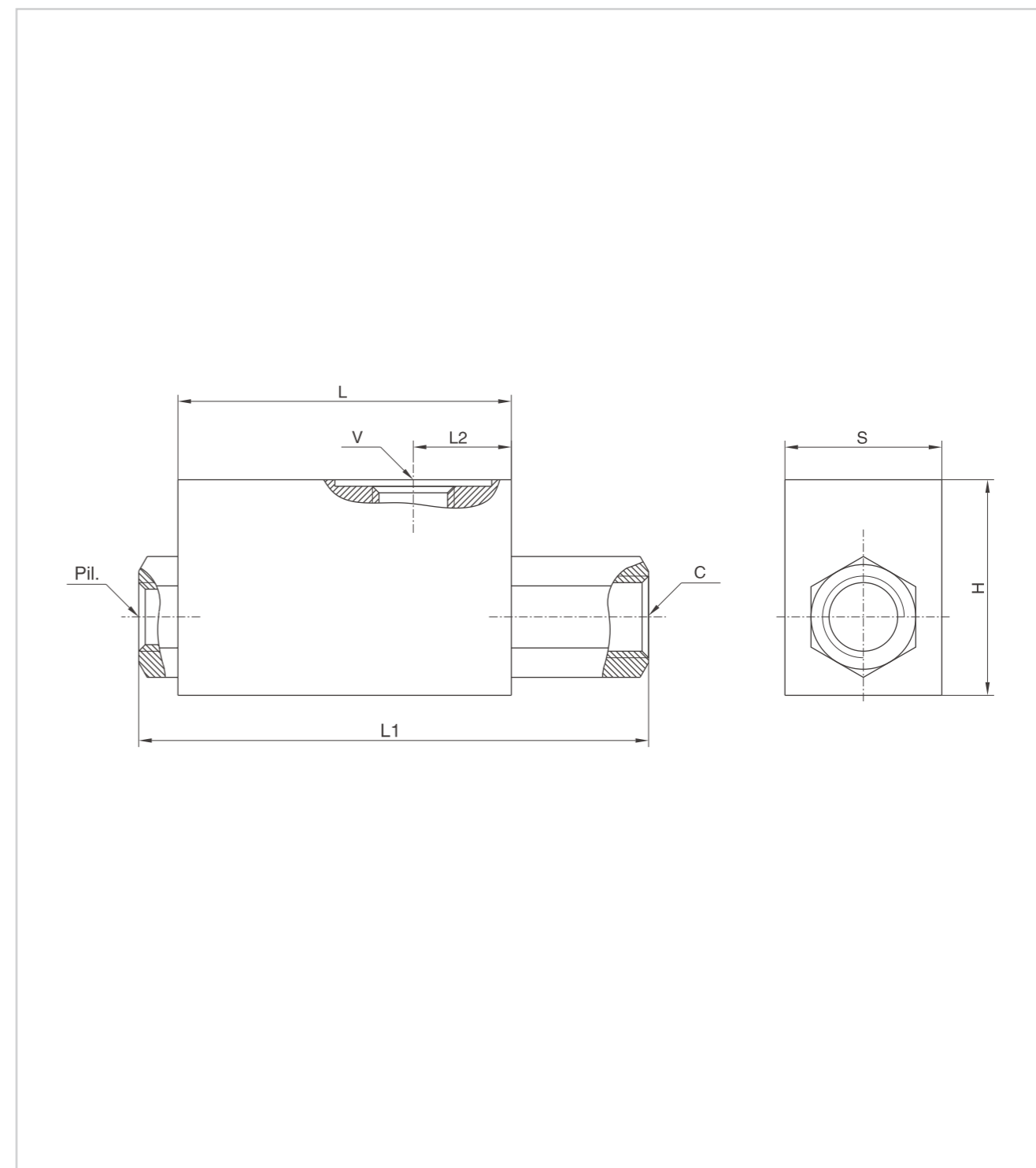


### Pressure drops curve



## Single Pilot Operated Check Valves, High Pilot

### External dimensions



Type	V/C	Pil.	L	L1	L2	H	S
HYVBL/3 SE 1/4"	G 1/4"	G 1/4"	70	104	22	40	30
HYVBL/3 SE 3/8"	G 3/8"	G 1/4"	80	120	24	48	35
HYVBL/3 SE 1/2"	G 1/2"	G 1/4"	80	120	26	52	40