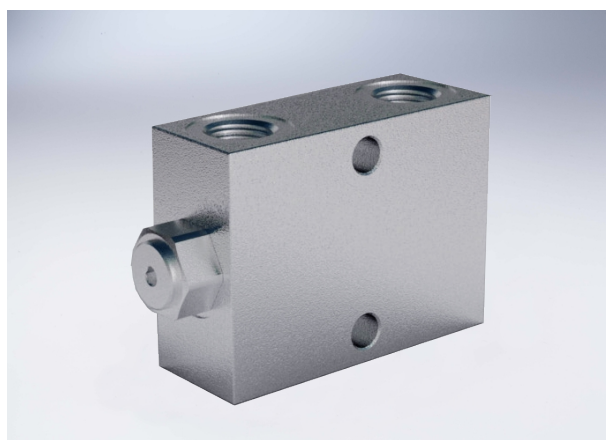


## Single Pilot Operated Check Valves Type A

### Technical specification

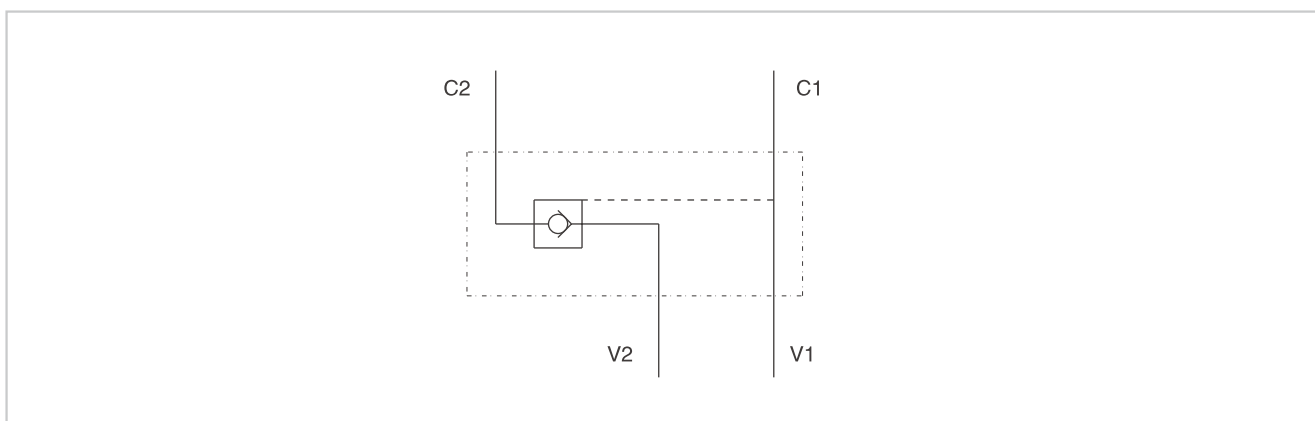


Specification	1/4" A	3/8" A	1/2" A
Pilot ratio	1:5.5	1:5.5	1:4.5
Max flow (L/min)	20	30	55
Max pressure (Bar)	350		
Cracking Pressure (Bar)	4.5	4.5	3

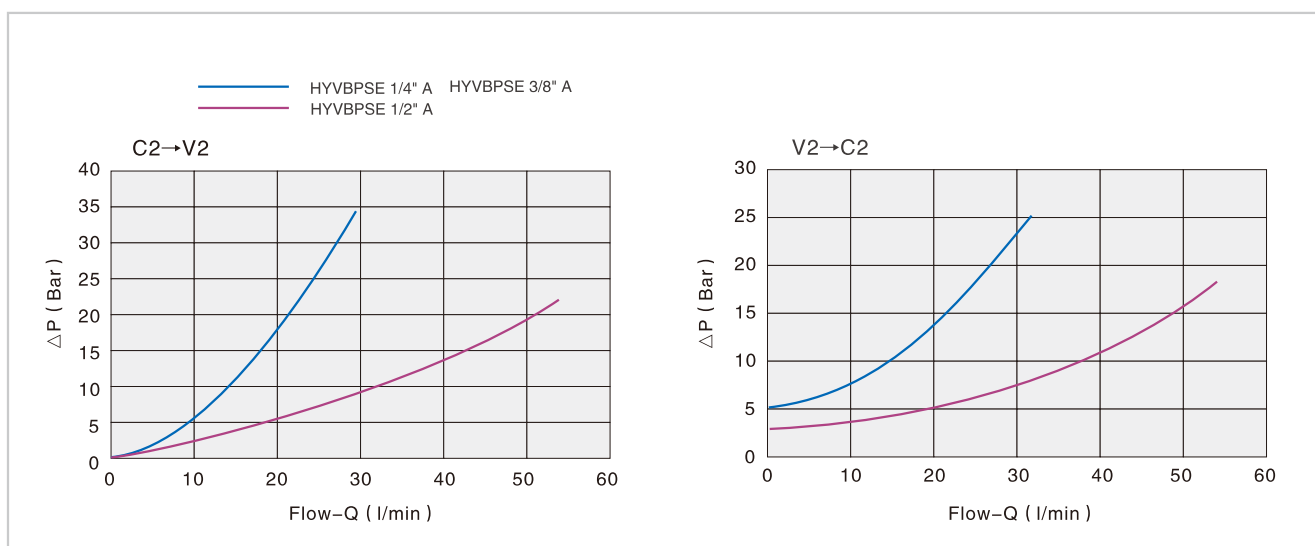
**Use and operation:**  
 These valves are used to block the cylinder in one direction. Flow is free in one direction and blocked in the reverse direction until pilot pressure is applied.

**Applications:**  
 Connect V1 and V2 to the pressure flow, C1 to the free flow side of the actuator and C2 to the actuator's side you want the flow to be blocked.

### Code symbol

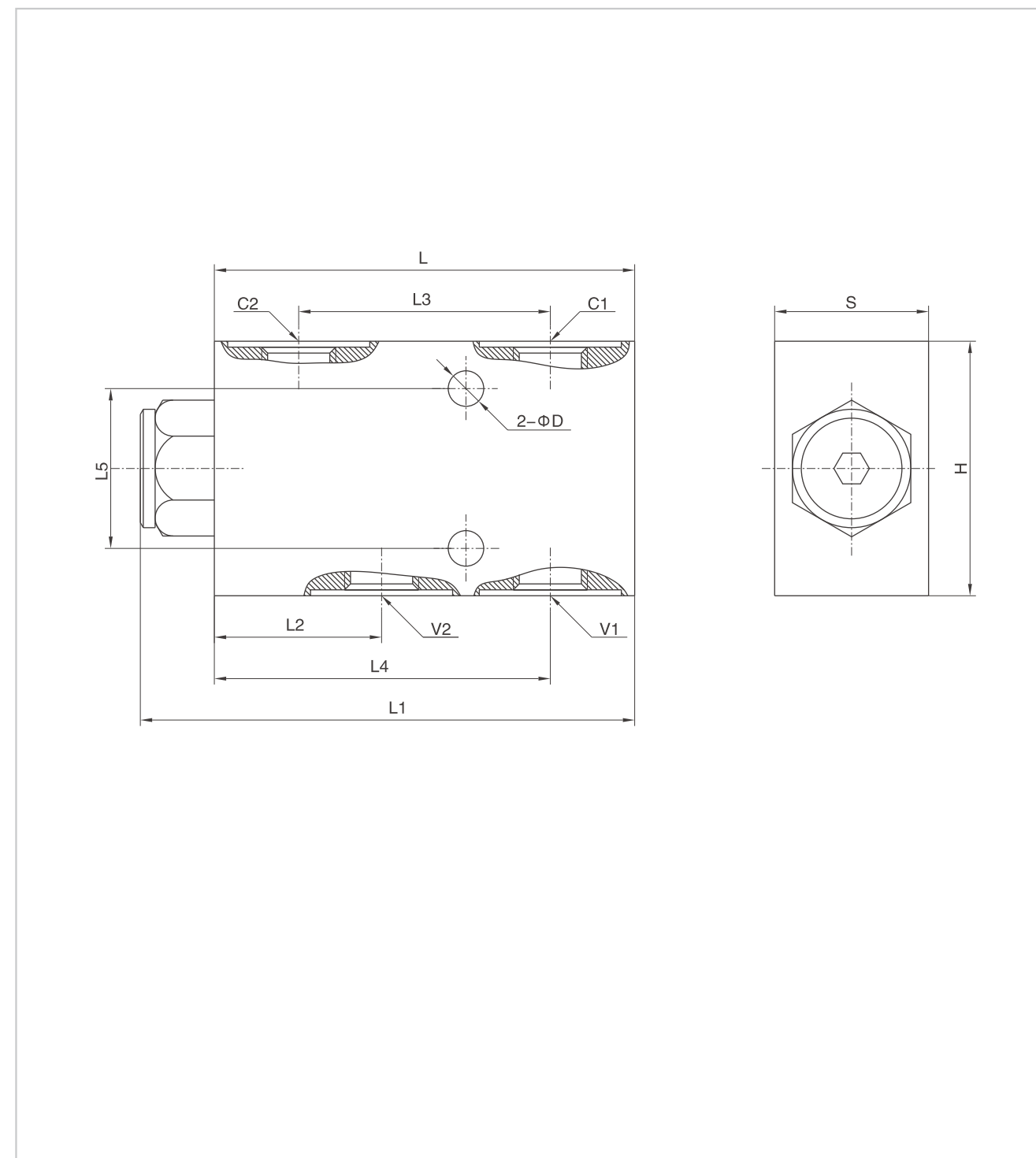


### Pressure drops curve



## Single Pilot Operated Check Valves Type A

### External dimensions



Type	V1/V2/C1/C2	L	L1	L2	L3	L4	L5	D	H	S
HYVBPSE 1/4" A	G 1/4"	80	98.4	31.5	50	65	40	7	60	30
HYVBPSE 3/8" A	G 3/8"	80	98.4	31.5	50	65	40	7	60	30
HYVBPSE 1/2" A	G 1/2"	105	121	38.5	70	62.5	40	8.5	80	35