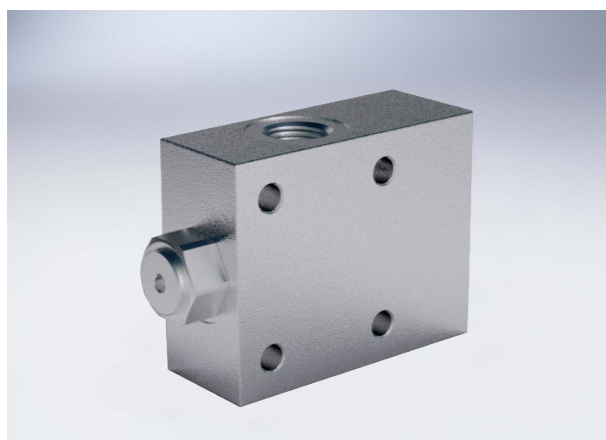


Single Pilot Operated Check Valves Flangeable

Technical specification

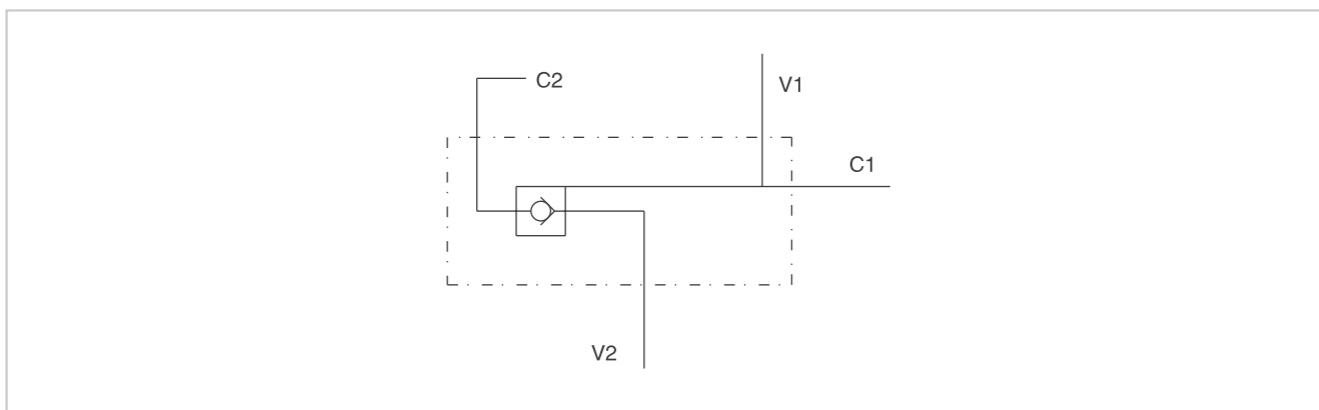


Specification	1/4" FL	3/8" FL	1/2" FL
Pilot ratio	1:5.5	1:5.5	1:4.5
Max flow (L/min)	20	30	55
Max pressure (Bar)	350		
Cracking Pressure (Bar)	4.5	4.5	3

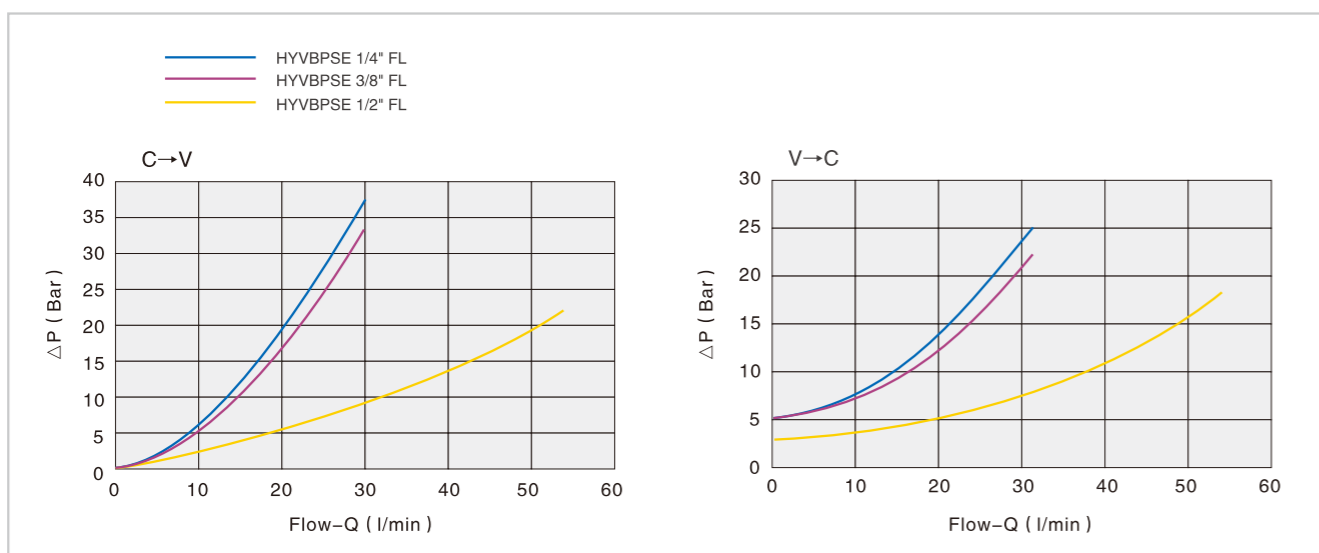
Use and operation:
 These valves are used to block the cylinder in one direction. Flow is free in one direction and blocked in the reverse direction until pilot pressure is applied. This valve can be fixed directly on cylinder.

Applications:
 Connect V1 and V2 to the pressure flow, C1 to the free flow side of the actuator and C2 to the actuator's side you want the flow to be blocked.

Code symbol

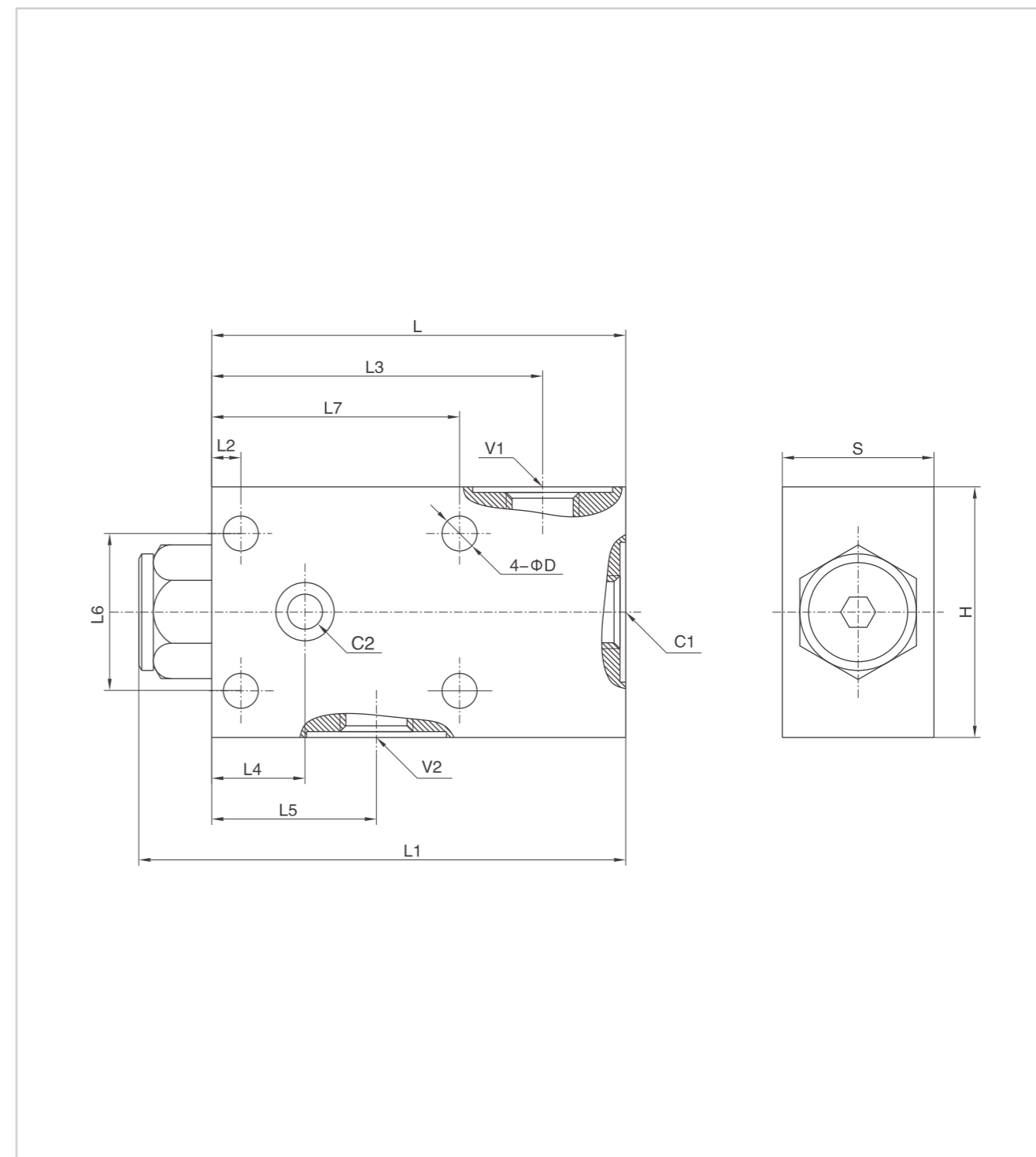


Pressure drops curve



Single Pilot Operated Check Valves Flangeable

External dimensions



Type	V1/V2/C1	C2	L	L1	L2	L3	L4	L5	L6	L7	D	H	S
HYVBPSE 1/4" FL	G 1/4"	Φ 5	70	88	6.5	57	15.5	27	35	41.5	6.5	50	30
HYVBPSE 3/8" FL	G 3/8"	Φ 5	75	93.4	10	61	14	27	40	45	6.5	60	30
HYVBPSE 1/2" FL	G 1/2"	Φ 9	100	116	10.5	82	18	32	40	50.5	8.5	80	35