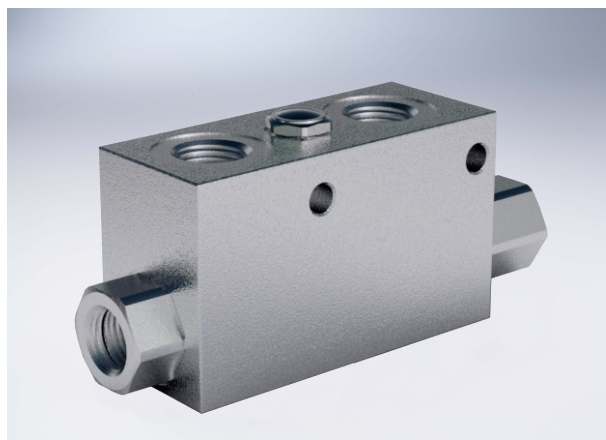


External Single Pilot Operated Check Valves

Technical specification

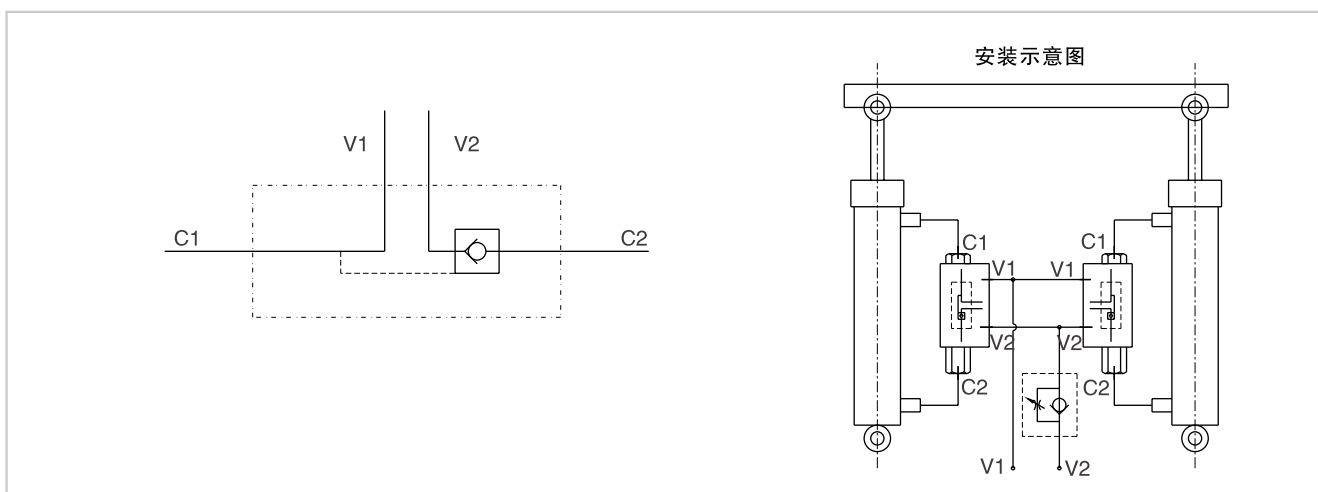


Type	3/8" PS
Pilot ratio	1:12
Max flow (L/min)	35
Max pressure (Bar)	350
Cracking Pressure (Bar)	3

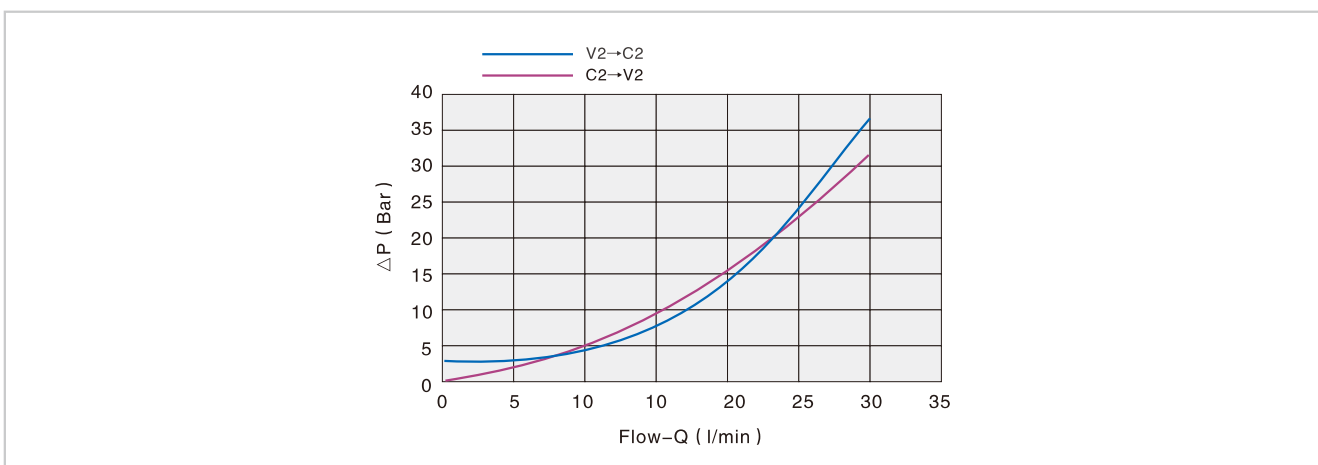
Use and operation:
 These valves are used to block the cylinder in one direction. The flow is free in one direction and blocked in the reverse one until pilot pressure is applied. Separated mounting enables valves to be insensitive to back pressure on the line V. Assembly on 2 or more parallel cylinders with a flow regulator valve to allow balanced and soft descent is highly recommended.

Applications:
 Connect V1 and V2 to the pressure flow and C1 and C2 to the actuator as indicated in the diagram

Code symbol

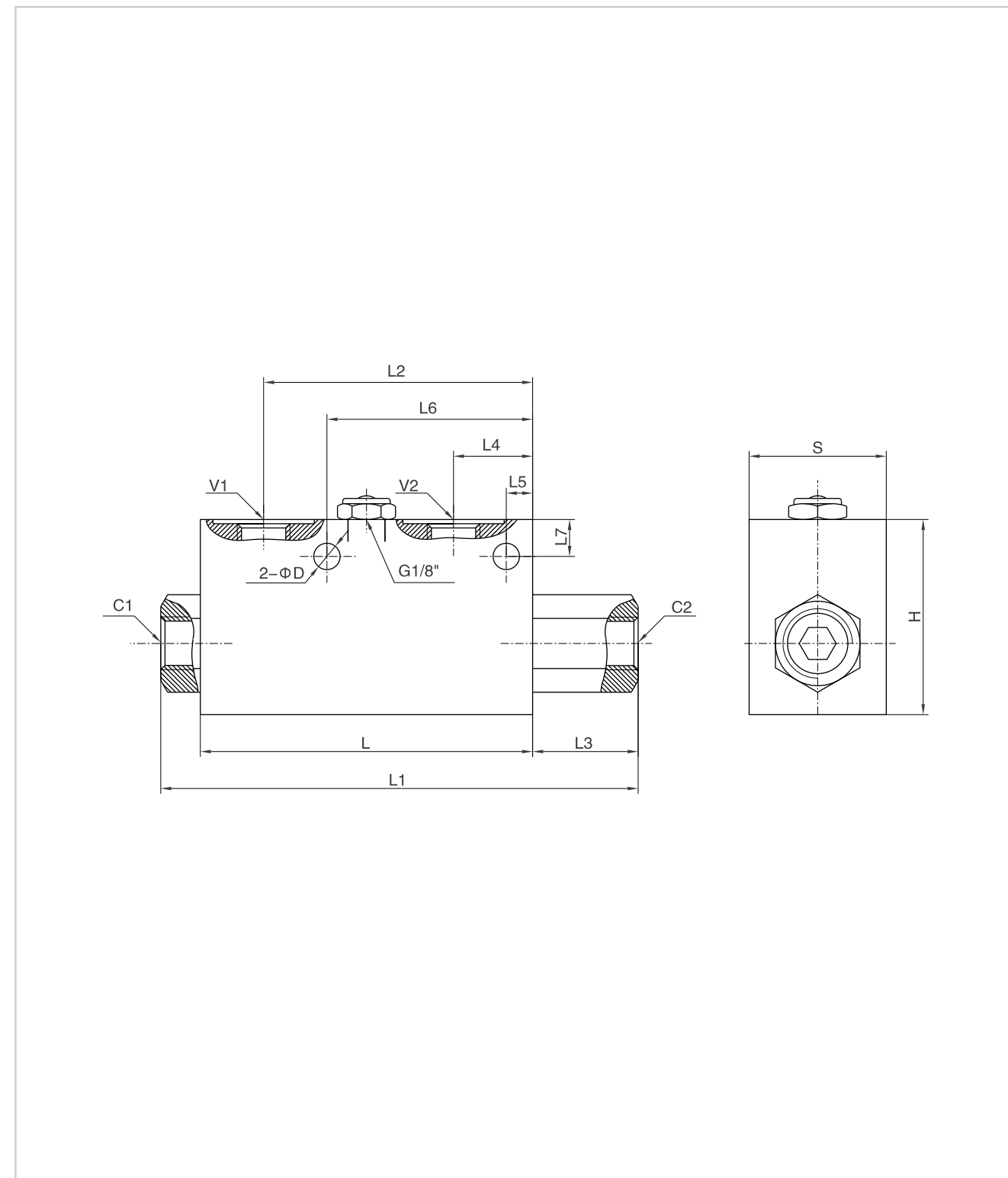


Pressure drops curve



External Single Pilot Operated Check Valves

External dimensions



Type	V1/V2/C1/C2	L	L1	L2	L3	L4	L5	L6	L7	D	H	S
HYVBPSE 3/8" PS	G 3/8"	85	122	69	27	20	6	52	10	65	50	35