

Single Overcentre Valves Type A

Technical specification



Specification	1/4" SE/A	3/8" SE/A	1/2" SE/A	3/4" SE/A
Pilot ratio	1:4.5	1:4.5	1:4.5	1:5.5
Max flow (L/min)	20	40	60	95
Max pressure (Bar)	350			

Use and operation:

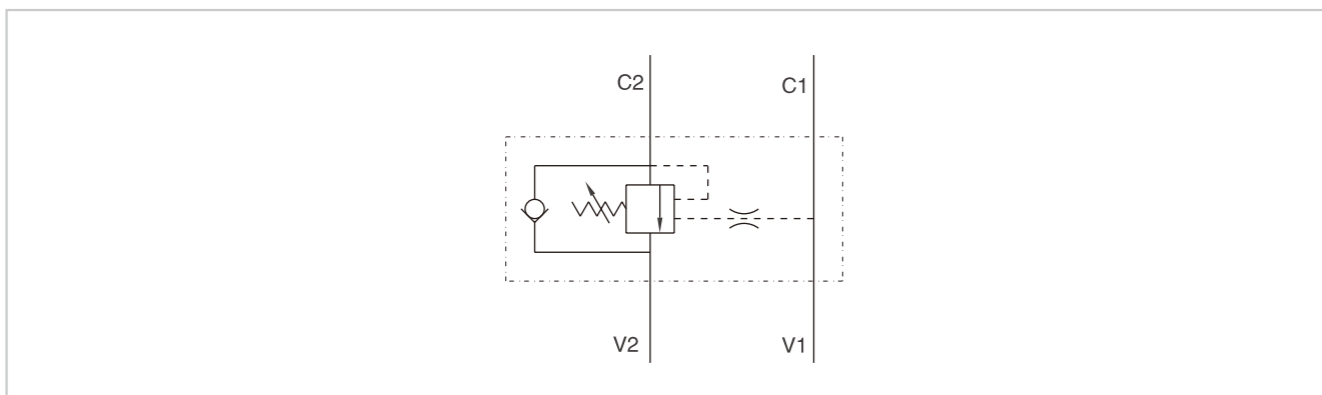
These valves are used to control actuator's movement and block in one direction in order to enable the following functions:

- under control descent of a load: load's weight doesn't carry it away as the valve prevents any cavitations of the actuator;
- limited maximum pressure in case of shocks created by loads, overloads or sudden manoeuvrings (load control with opened centre distributor).

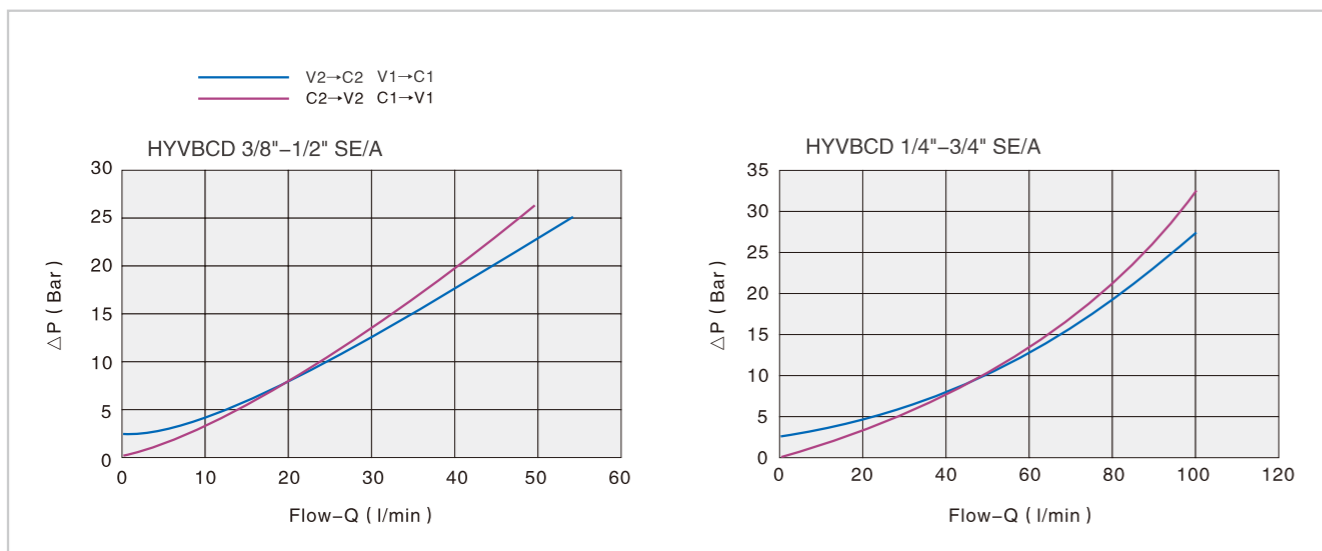
Applications:

Connect V1 and V2 to the pressure flow, C1 to the free flow side of the actuator and C2 to the actuator's side you want the flow to be blocked. In-line mounting.

Code symbol

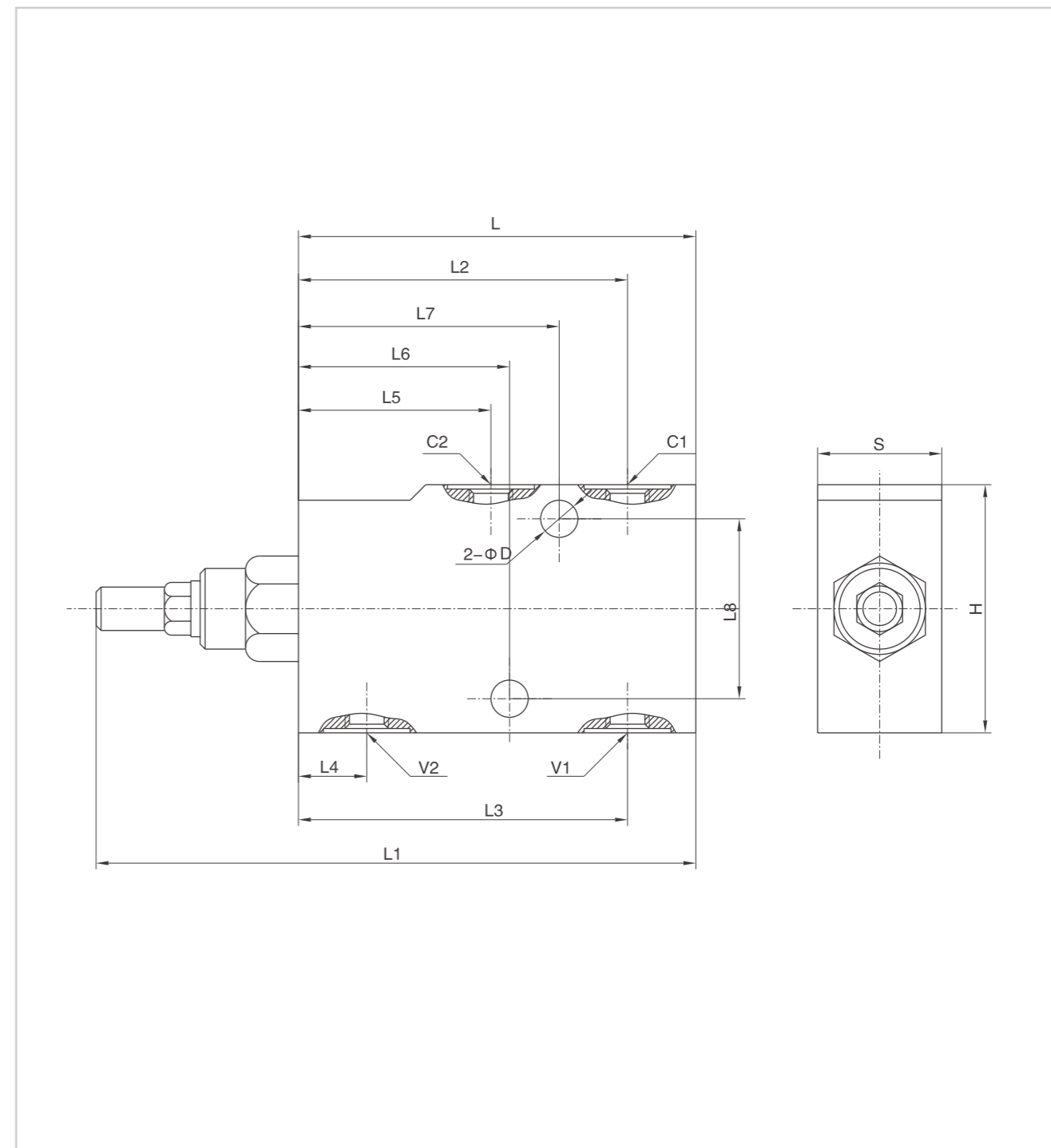


Pressure drops curve



Single Overcentre Valves Type A

External dimensions



Type	V1/V2/C1/C2	L	L1	L2	L3	L4	L5	L6	L7	L8	D	H	S
HYVBCD 1/4" SE/A	G 1/4"	100	148	80.5	80.5	20.5	50.5	54.5	64.5	44	8.5	60	30
HYVBCD 3/8" SE/A	G 3/8"	100	148	80.5	80.5	20.5	50.5	54.5	64.5	44	8.5	60	30
HYVBCD 1/2" SE/A	G 1/2"	100	148	86.5	84.5	19.5	50.5	57.5	67.5	44	8.5	60	30
HYVBCD 3/4" SE/A	G 3/4"	127	184	109	109	24	63	75	85	44	8.5	80	35