

Double Overcentre Valves Flangeable

Technical specification



Specification	3/8" DE/FL	1/2" DE/FL
Pilot ratio	1:4.5	
Max flow (L/min)	40	60
Max pressure (Bar)	350	

Use and operation:

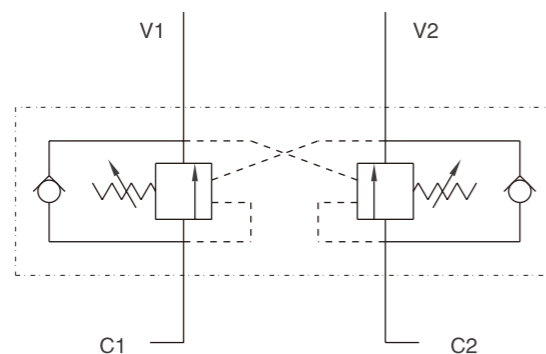
These valves are used to control actuator's movement and block in both directions in order to enable the following functions:

- under control descent of a load: load's weight doesn't carry it away, as the valve prevents any cavitations of the actuator;
- limited maximum pressure in case of shocks created by loads, overloads or sudden manoeuvrings (load control with opened centre distributor).

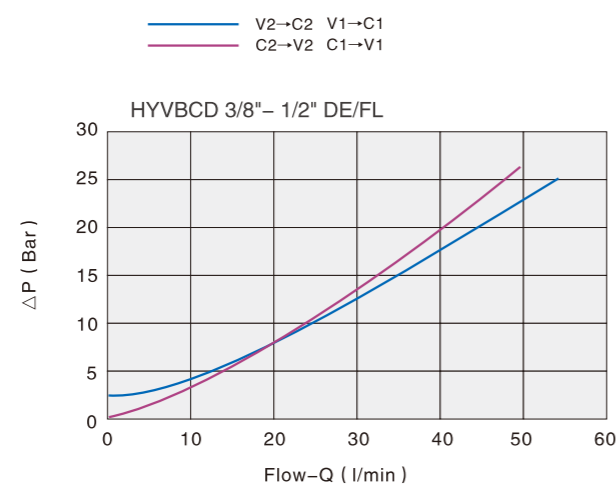
Applications:

Connect V1 and V2 to the pressure flow and flange C1 and C2 directly to the actuator.

Code symbol

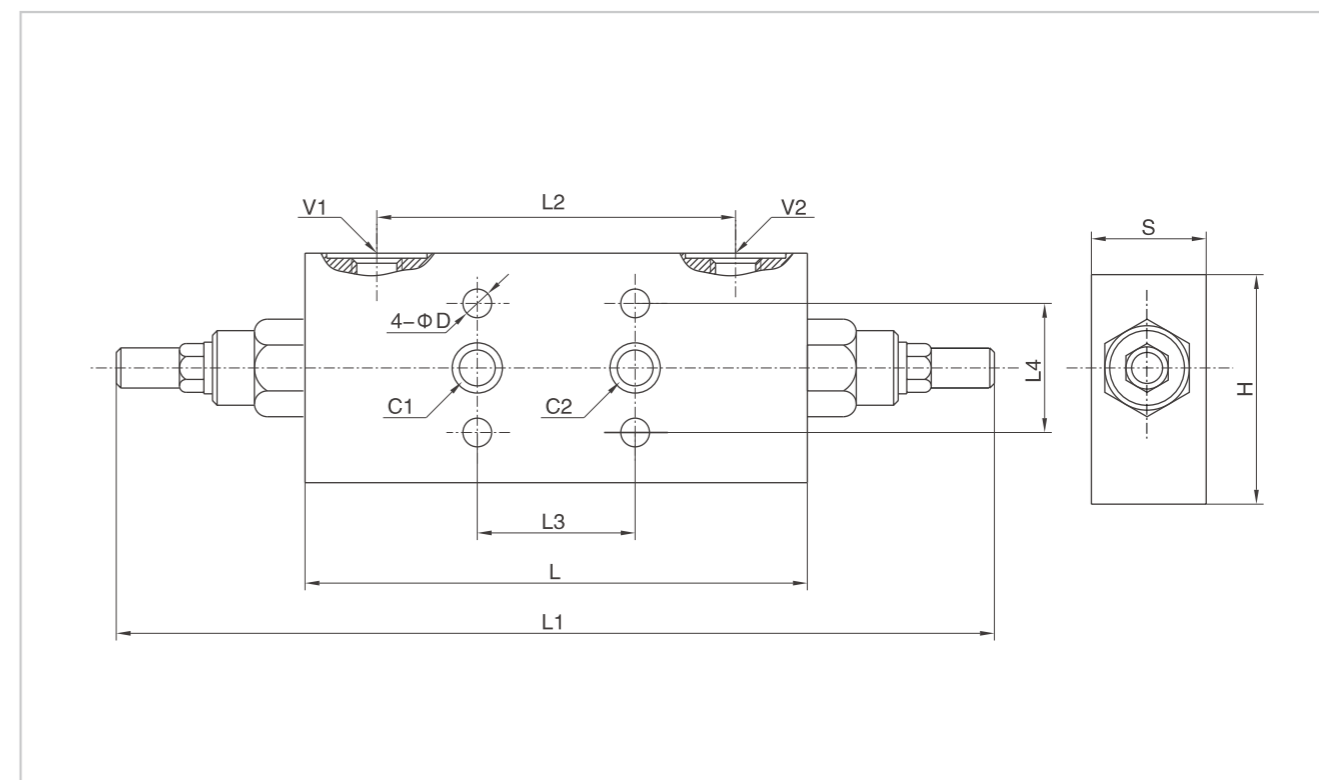


Pressure drops curve



Double Overcentre Valves Flangeable

External dimensions



Type	V1/V2	C1/C2	L	L1	L2	L3	L4	D	H	S
HYVBCD 3/8" DE/FL	G 3/8"	Φ 9	150	246	110	48	40	8.5	60	30
HYVBCD 1/2" DE/FL	G 1/2"	Φ 9	150	246	110	48	40	8.5	60	30
HYVBCD 3/4" DE/FL	G 3/4"	Φ 12.5	190	304	143	64	60	8.5	80	35

Valve's flanges

TYPE B8500

