

## Thread Mounting Overcentre Valve

### Technical specification



Model	HYPYZ-3/4 X	
Specification	HYPYZ-3/4 S	HYPYZ-3/4 D
Max Pressure (Mpa)	350	
Max Flow (L/min)	40	
Installation site	Any	
Working fluid	Mineral oil, phosphate hydraulic oil	
Storage temp (°C)	-20~80	
Working temp (°C)	-10~60	
Cleanliness	the max allowed cleanliness of the oil shall be as per Standard NAS1638, grade IX, recommendable filtering precision Min $\beta_{10} \geq 75$ .	

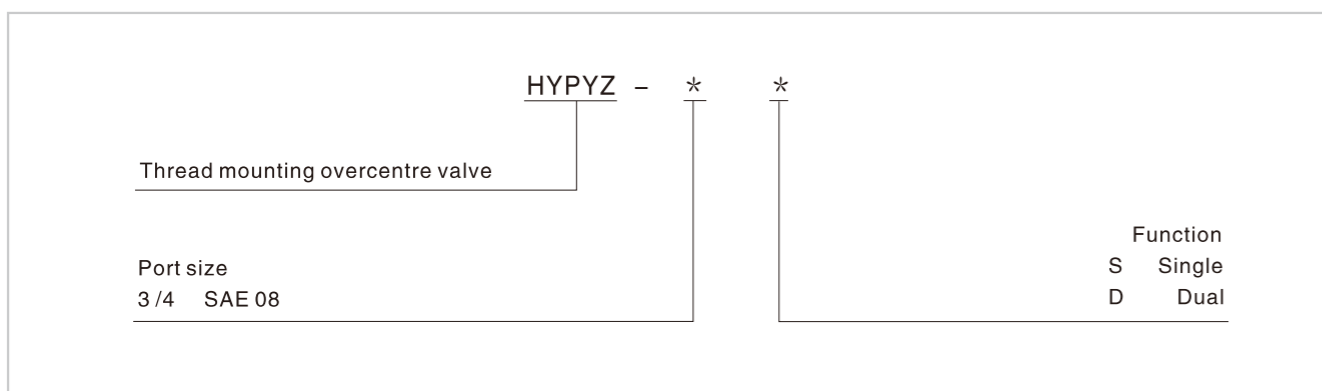
( Please consult with us if your working condition is out of the technical parameter given above. )

#### Note:

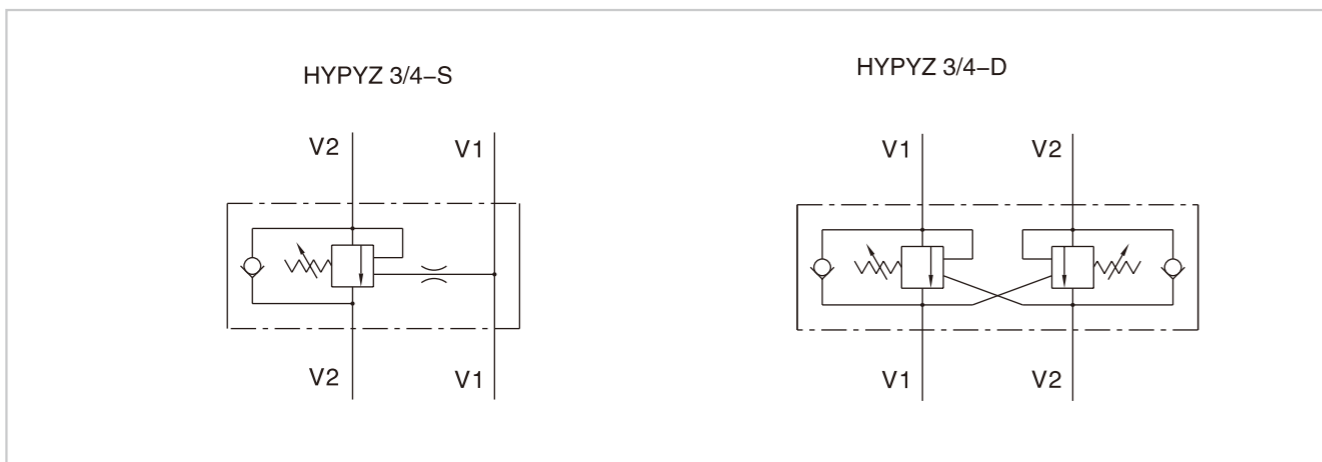
The valve is used to control the actuator's move in single/dual direction, to realize following functions:

- 1.prevent the surge pressure from the actuator
- 2.Limit the possible high-pressure when overloading or impact due to sudden shocking

### Ordering details

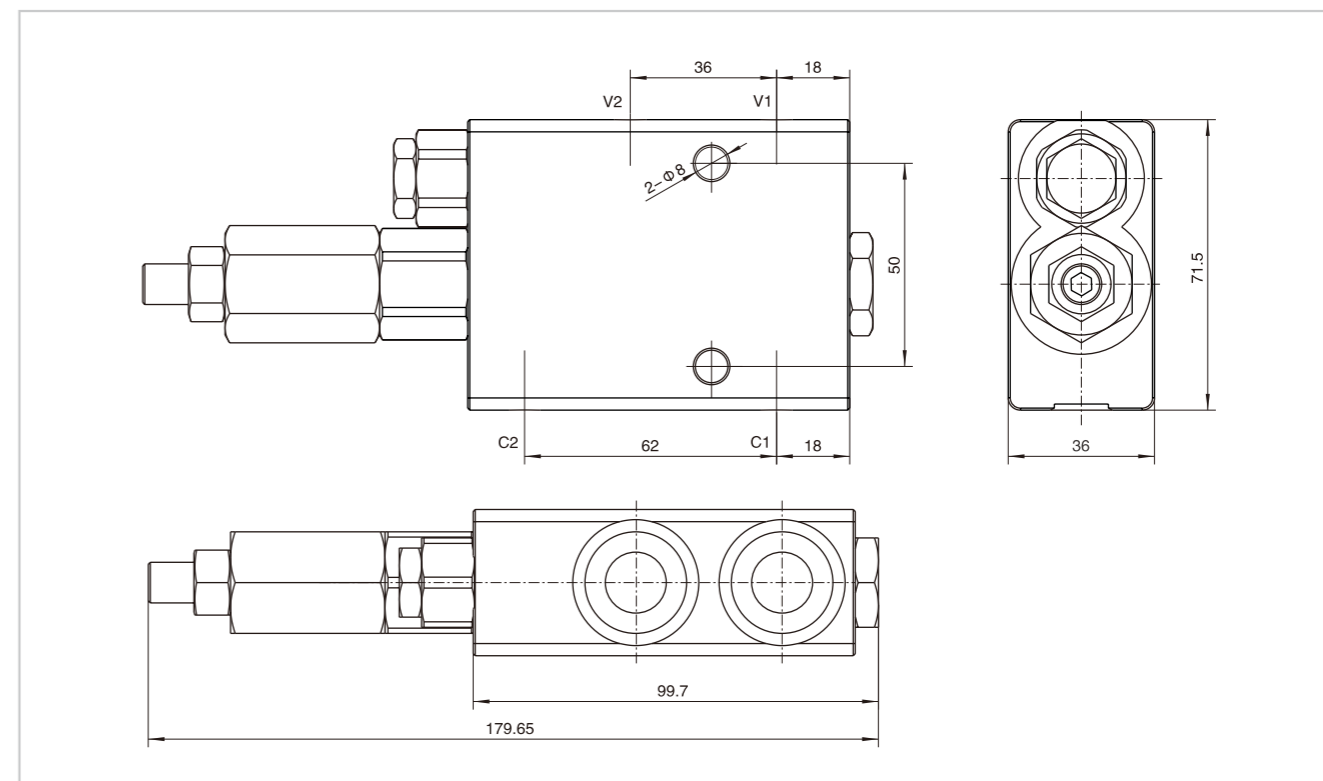


### Symbol



## Thread Mounting Overcentre Valve

### HYPYZ 3/4-S Dimension



### HYPYZ 3/4-D Dimension

