

Single Overcentre Valves, 3 Ways

Technical specification



Specification	3/8" SE 3 VIE	1/2" SE 3 VIE
Pilot ratio	1:4.5	
Max flow (L/min)	40	60
Max pressure (Bar)	350	

Use and operation:

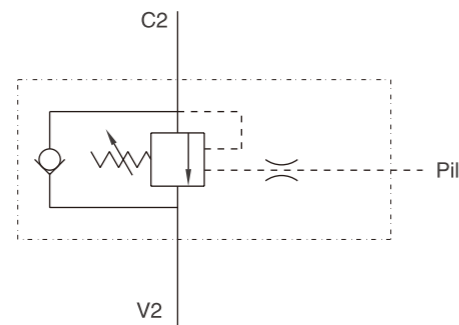
These valves are used to control actuator's movement and block in both directions in order to enable the following functions:

- under control descent of a load: load's weight doesn't carry it away, as the valve prevents any cavitations of the actuator;
- limited maximum pressure in case of shocks created by loads, overloads or sudden manoeuvrings (load control with opened centre distributor).

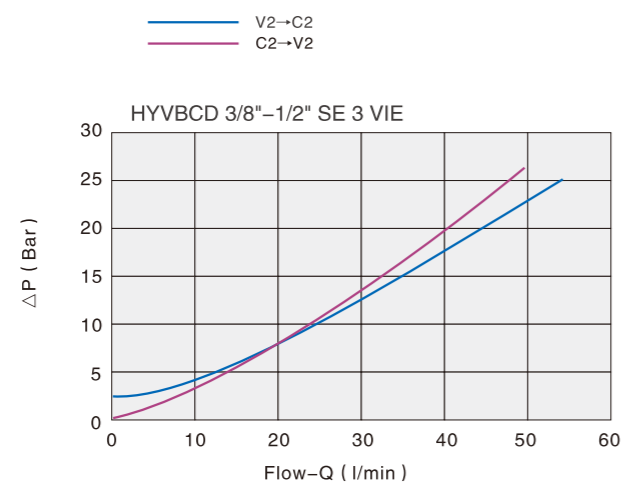
Applications:

Connect V2 to the pressure flow, C2 to the actuator's side to be controlled and pil. to the pilot pressure.

Code symbol

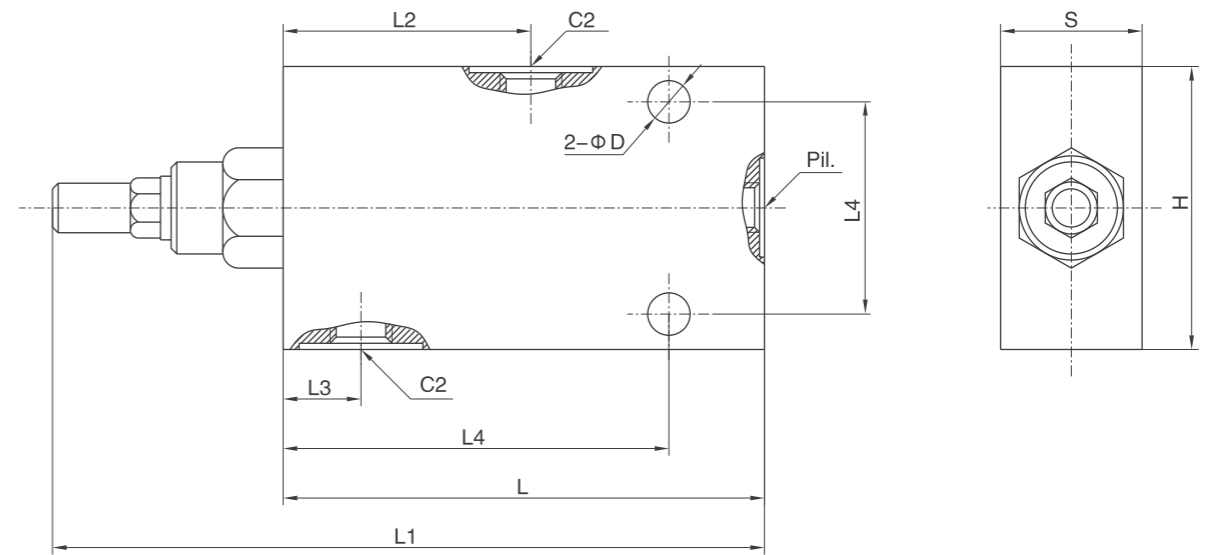


Pressure drops curve



Single Overcentre Valves, 3 Ways

External dimensions



Type	C2/V2	Pil.	L	L1	L2	L3	L4	L5	H	S
HYVBCD 3/8" SE 3 VIE	G 3/8"	G 1/4"	100	149	20	50	75	40	60	30
HYVBCD 1/2" SE 3 VIE	G 1/2"	G 1/4"	100	149	20	50	80	40	60	30