

Light Relief Valves

Technical specification



Specification	1/4" L	3/8" L
Max.flow (L/min)	40	60

SPRINGS	Setting range (Bar)	10-50*	10-180 Standard	80-300
	Pressure increase (Bar/turn)Q=4L/min	7	40	50
	Standard setting (Bar)	30	100	150

★For Setting less than 70Bar Q=12L/min

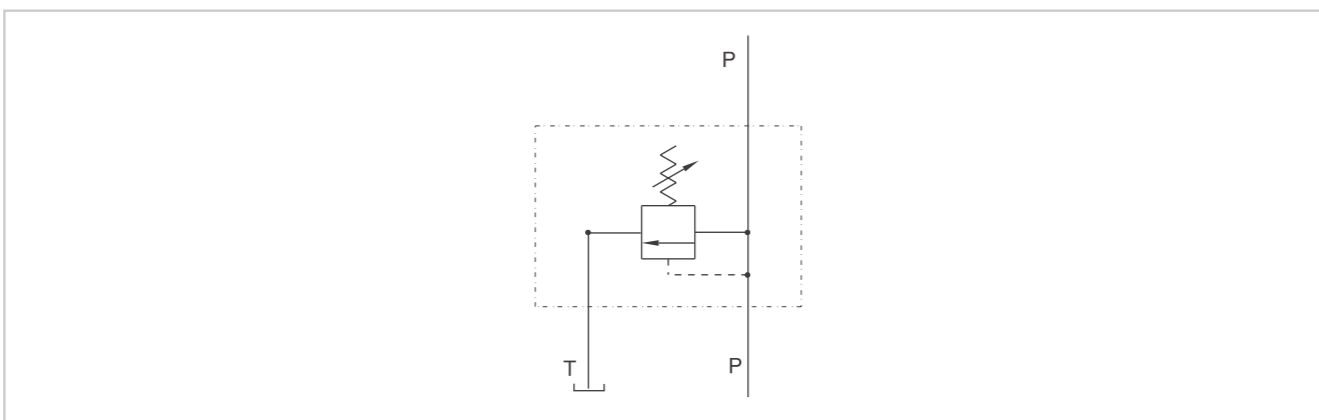
Use and operation:

The relief valve provides overload protection in a fast and accurate way: when it reaches pressure setting, the valve opens allowing pressure relief in order not to exceed this setting.

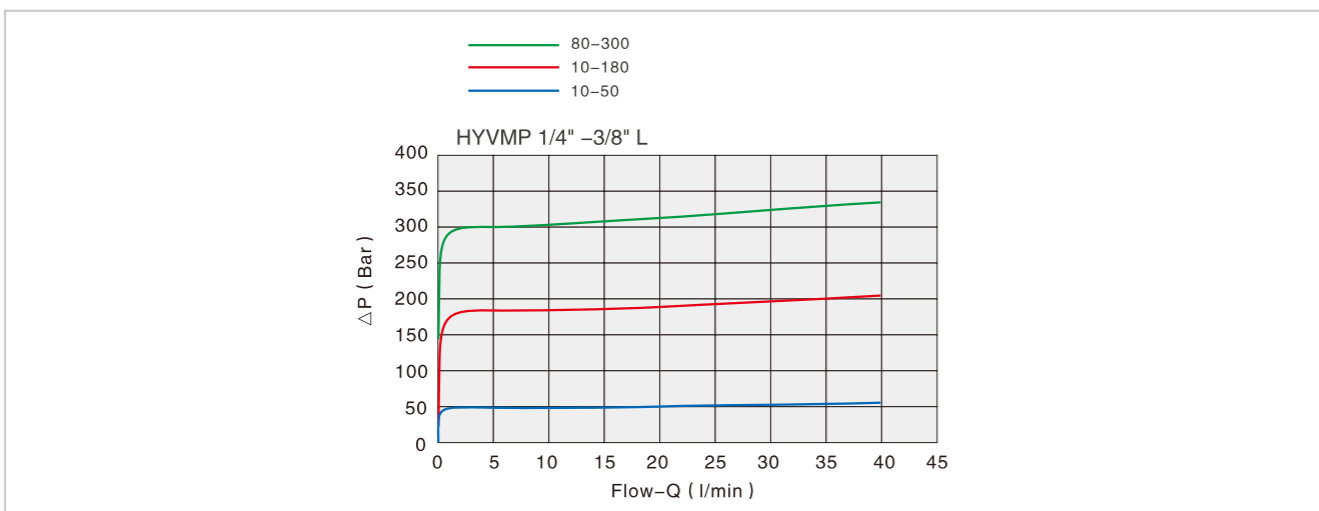
Applications:

Connect circuit port with pressure to P and tank port to T. Port P is reversible.

Code symbol

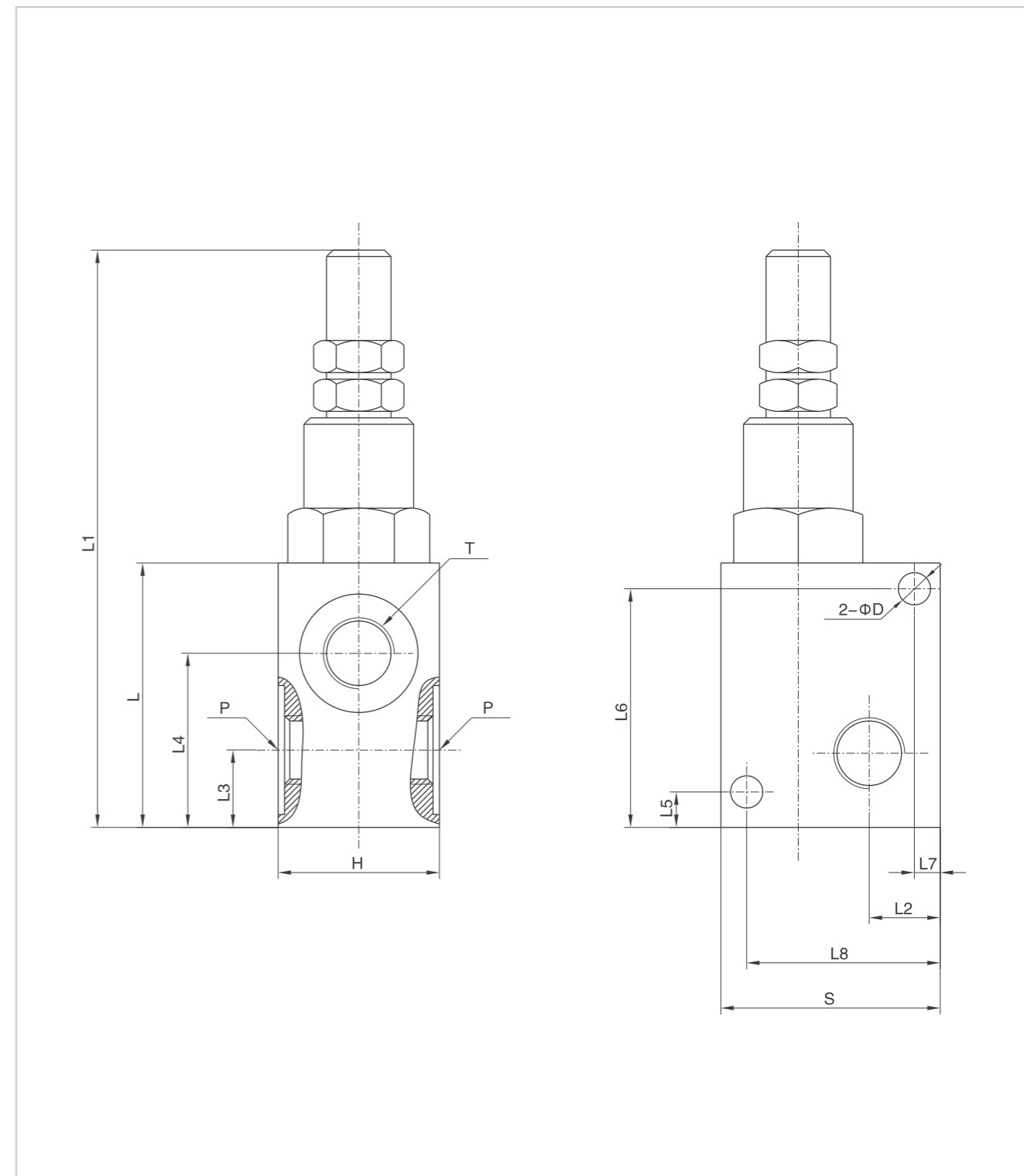


Pressure drops curve



Light Relief Valves

External dimensions



Type	P/T	L	L1	L2	L3	L4	L5	L6	L7	L8	D	H	S
HYVMP 1/4" L	G 1/4"	52	114	12	13	34	7	47	5	35	6.5	30	40
HYVMP 3/8" L	G 3/8"	55	117	12	15	35.5	7	50	5	35	6.5	30	40