

Relief Valves

Technical specification



Specification	3/8"	1/2"	3/4"
Max.flow (L/min)	45	70	120

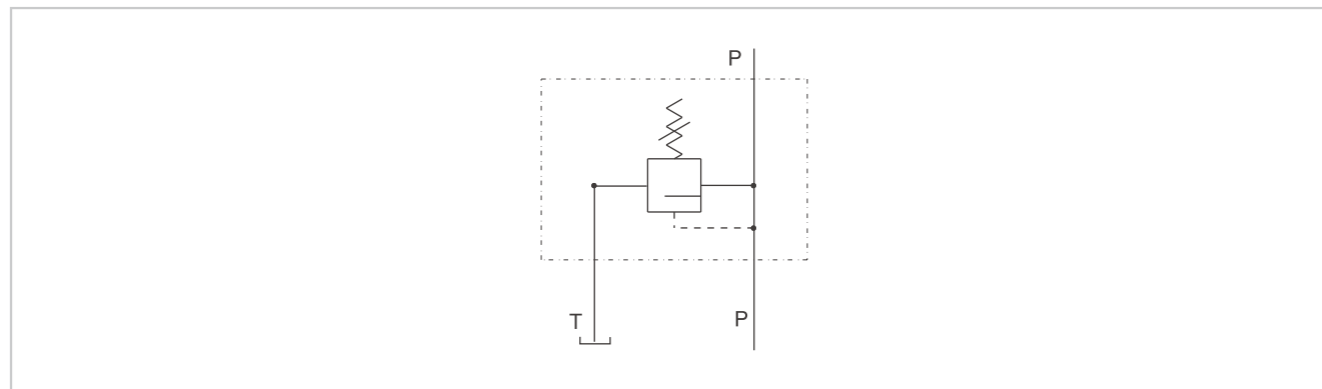
SPRINGS	Setting range(Bar)	10-50*	20-100	10-180 Standard	50-250	80-300
	Pressure increase (Bar/turn)Q=4L/min	7	12	30	45	50
	Standard setting (Bar)	30	75	90	130	150

★ For Setting less than 70Bar Q=12L/min

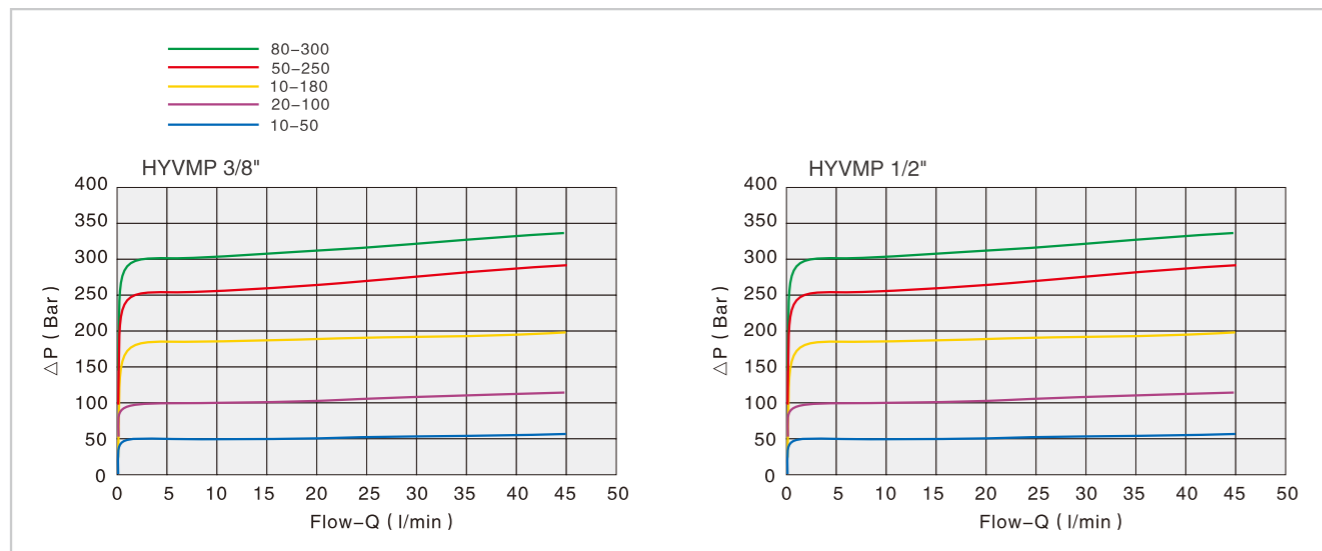
Use and operation:
The relief valve provides overload protection in a fast and accurate way: when it reaches pressure setting, the valve opens allowing pressure relief in order not to exceed this setting.

Applications:
Connect circuit port with pressure to P and tank port to T. Port P is reversible.

Code symbol

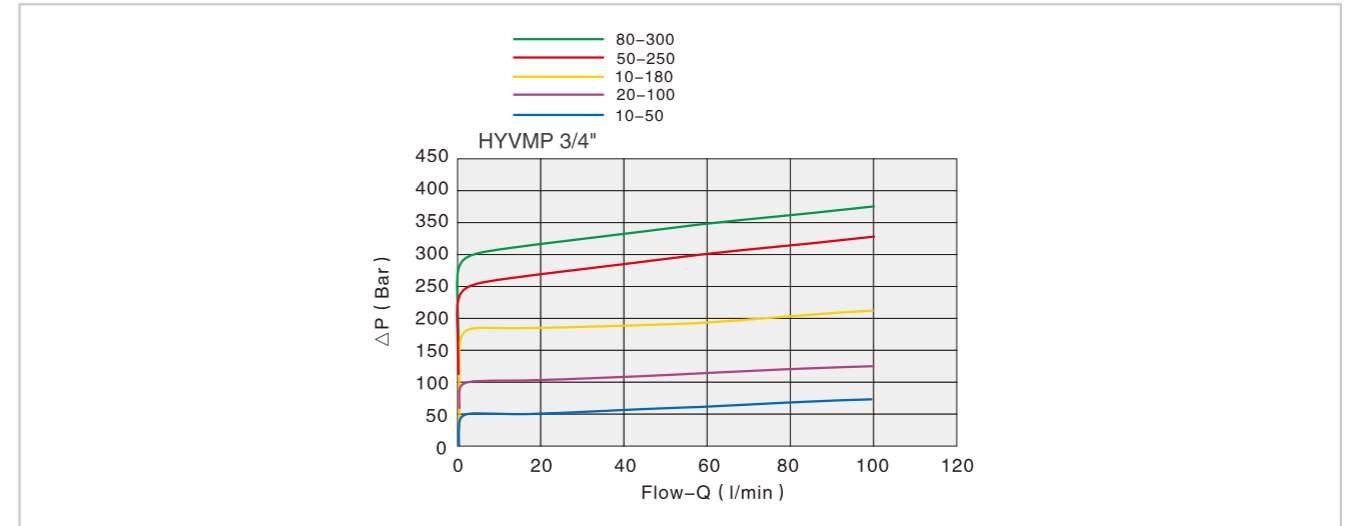


Pressure drops curve

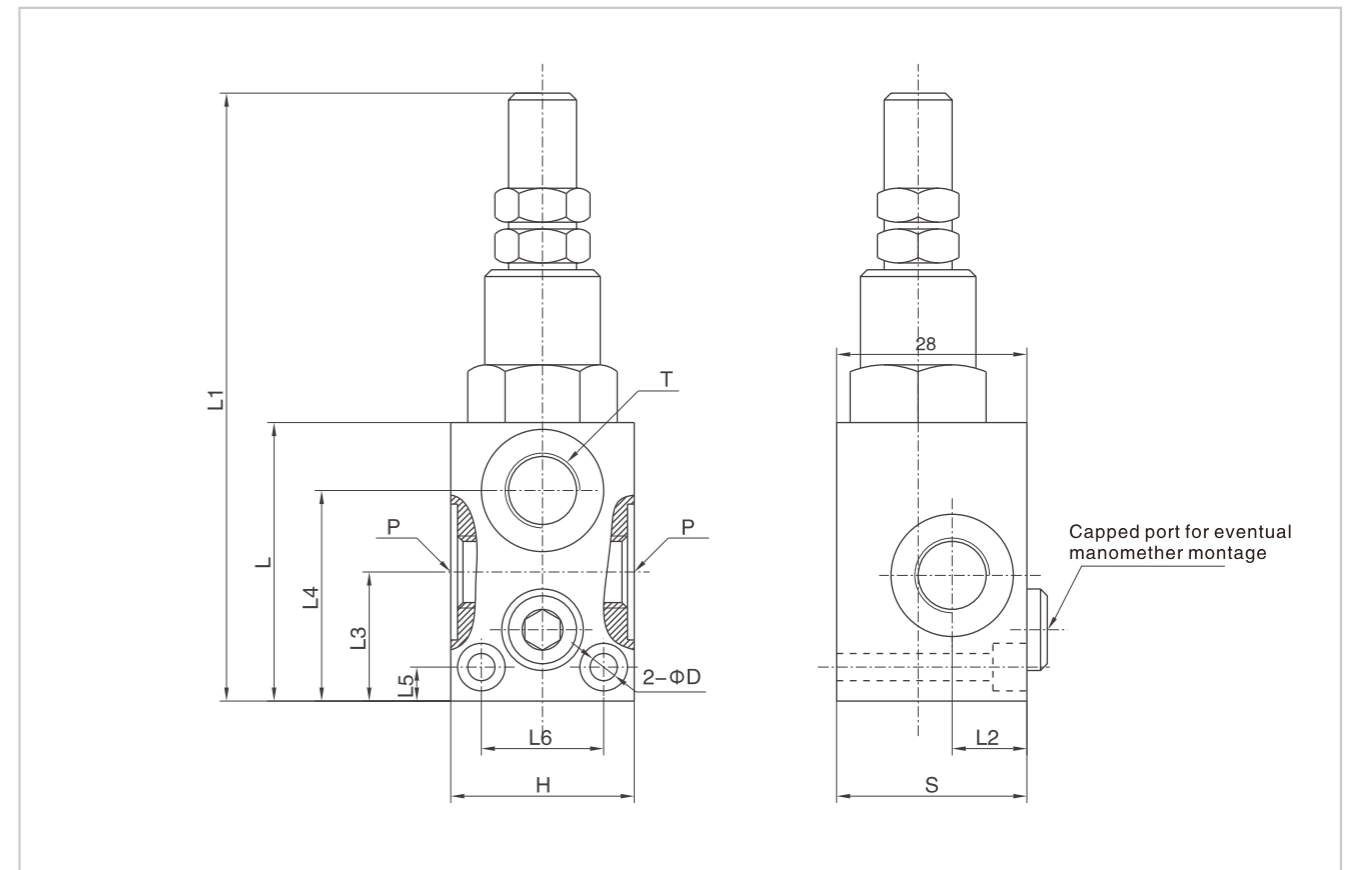


Relief Valves

Pressure drops curve



External dimensions



Type	P/T	L	L1	L2	L3	L4	L5	L6	D	H	S
HYVMP 3/8"	G 3/8"	72	135	15	26	49.5	8.5	26	6.5	40	40
HYVMP 1/2"	G 1/2"	77	140	17.5	29.5	54	8.5	30	6.5	45	45
HYVMP 3/4"	G 3/4"	92	154	17.5	35	68	10	32	9	50	50