

Double Relief Valves

Technical specification



Specification		3/8"	1/2"
Max.flow (L/min)		45	70

SPRINGS	Setting range (Bar)	10-50*	20-100	10-180 Standard	50-250	80-300
	Pressure increase (Bar/turn)Q=4L/min	7	12	30	45	50
	Standard setting (Bar)	30	75	90	130	150

★ For Setting less than 70Bar Q=12L/min

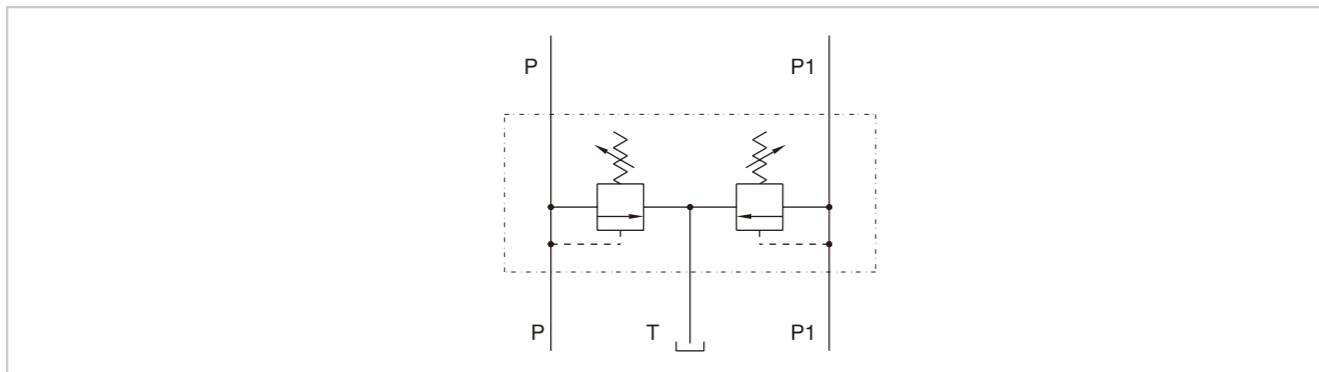
Use and operation:

Made up by 2 relief valves, the double relief valve provides overload protection in 2 lines-hydraulic circuits with 1 tank. It allows 2 different pressure setting adjustments.

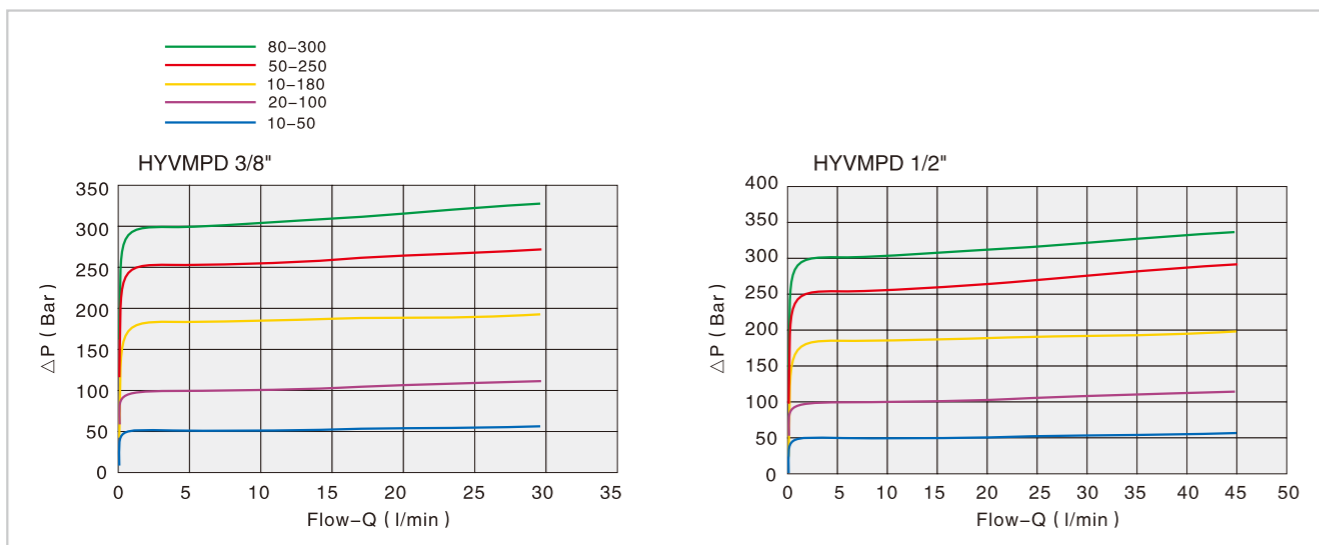
Applications:

Connect P and P1 to the pressure flow, the remaining P1 and P ports to the 2 lines to be controlled but in the reverse way; connect T to the tank.

Code symbol

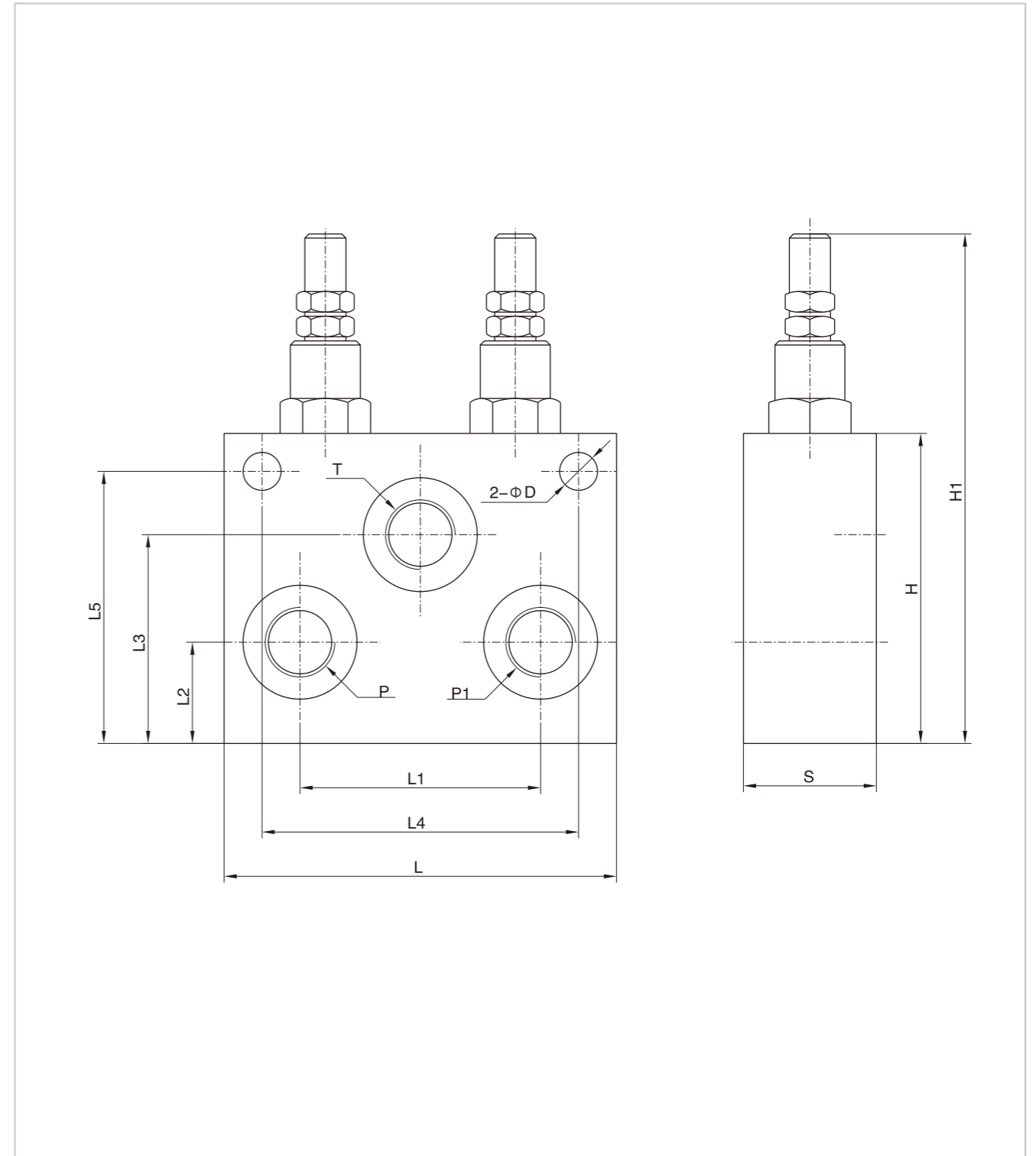


Pressure drops curve



Double Relief Valves

External dimensions



Type	P/T	L	L1	L2	L3	L4	L5	D	H	H1	S
HYVMPD 3/8"	G 3/8"	98	62	24	46	82	62	8.5	70	132	30
HYVMPD 1/2"	G 1/2"	98	65	24	46	82	62	8.5	70	132	30