

Dual Cross Relief Valves

Technical specification



Specification	1/4"	3/8"	1/2"	4/3"
Max.flow (L/min)	30	45	70	110

SPRINGS	Setting range (Bar)	10-50*	20-100	10-180 Standard	50-250	80-300
	Pressure increase (Bar/turn)Q=4L/min	7	12	30	45	50
	Standard setting (Bar)	30	75	90	130	150

★ For Setting less than 70Bar Q=12L/min

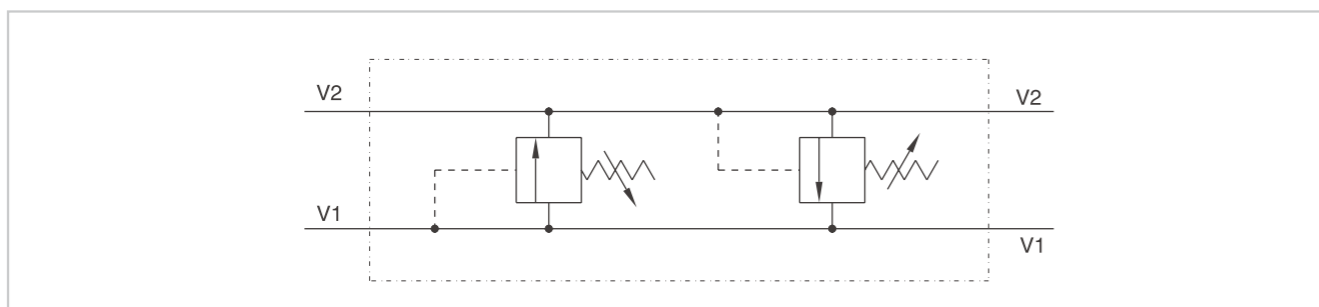
Use and operation:

Made up by 2 relief valves with crossed tank, this valve is used to block pressure to a certain setting in the 2 ports of an actuator/ hydraulic motor. It's ideal to provide protection against sudden shock pressures and to adjust different pressures in the 2 ports of an hydraulic circuit as well.

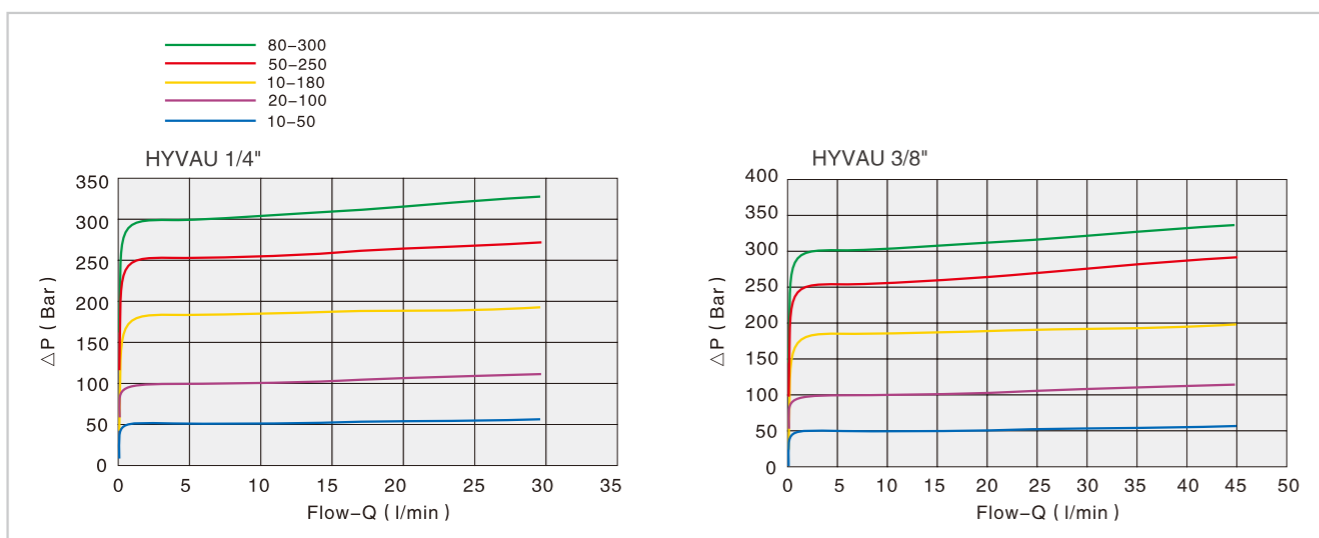
Applications:

Connect V1 and V2 to the pressure flow or to the actuator/ hydraulic motor. Vice versa for the remaining ports V1 and V2. Mounting by the actuator is highly recommended in order to avoid pressure drops.

Code symbol

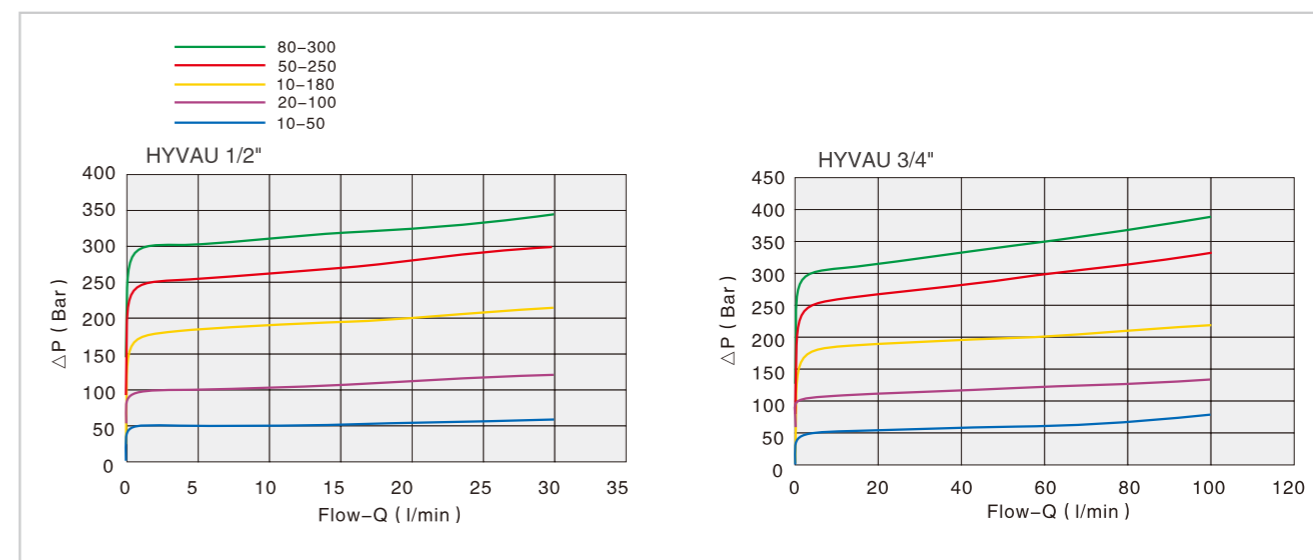


Pressure drops curve

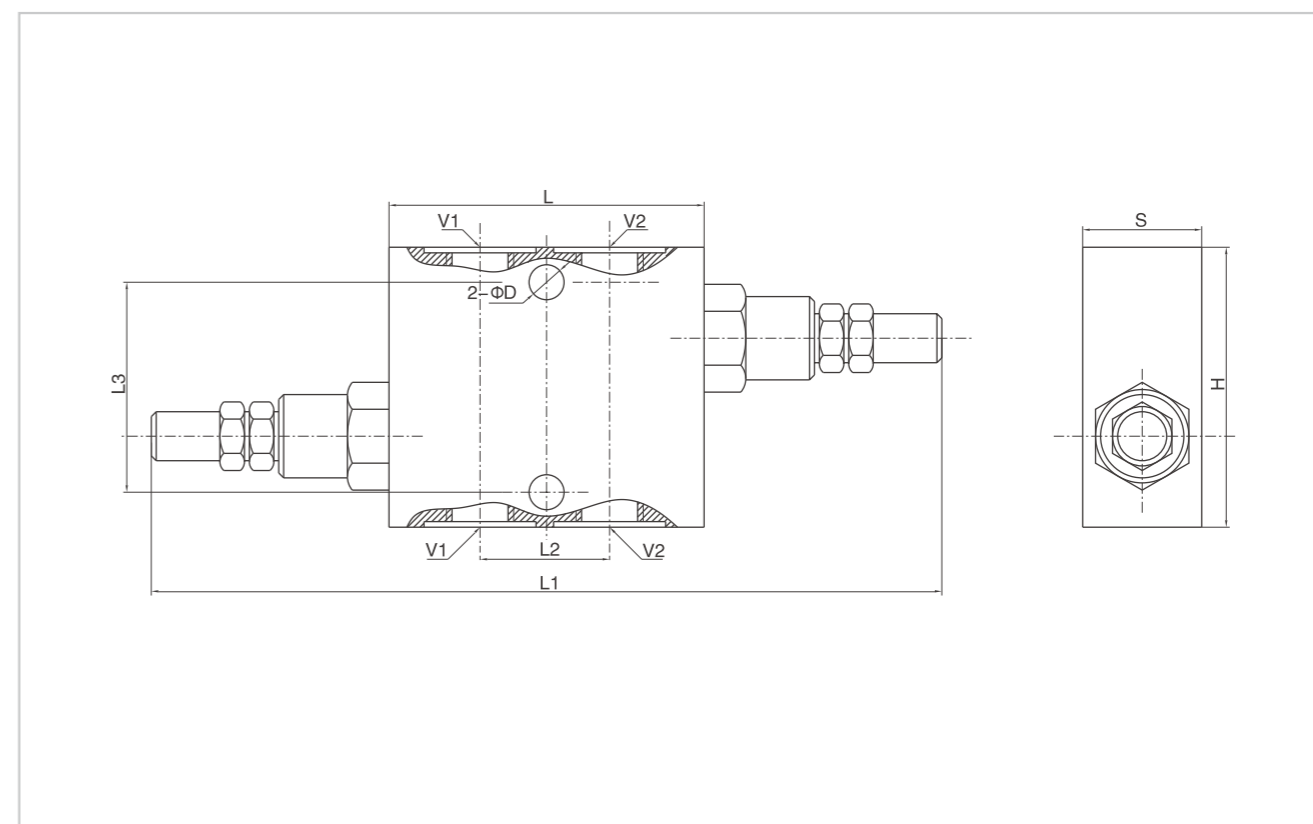


Dual Cross Relief Valves

Pressure drops curve



External dimensions



Type	V1/V2	L	L1	L2	L3	L4	L5	D	H	S
HYVAU 1/4"	G 1/4"	60	186	26	54	6.5	53.5	6.5	70	30
HYVAU 3/8"	G 3/8"	80	206	33	54	/	/	8.5	70	30
HYVAU 1/2"	G 1/2"	80	206	38	54	/	/	8.5	70	30
HYVAU 3/4"	G 3/4"	95	221	44	54	/	/	8.5	80	35