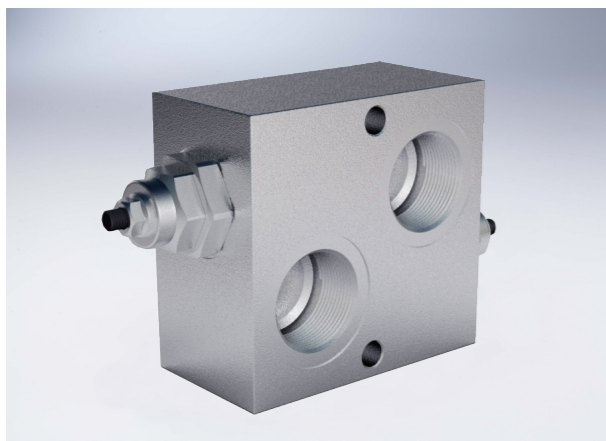


## Differential Dual Cross Relief Valves, 1"

### Technical specification



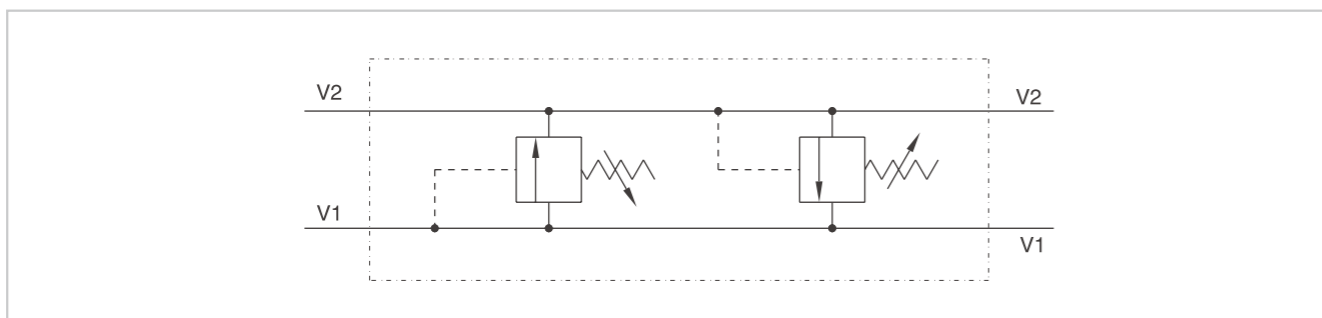
Specification	1"	
Max.flow (L/min )	160	

SPRINGS	Setting range (Bar)	20-200	50-400 Standard
	Pressure increase (Bar/turn)Q=4L/min	40	80
	Standard setting (Bar)	160	180

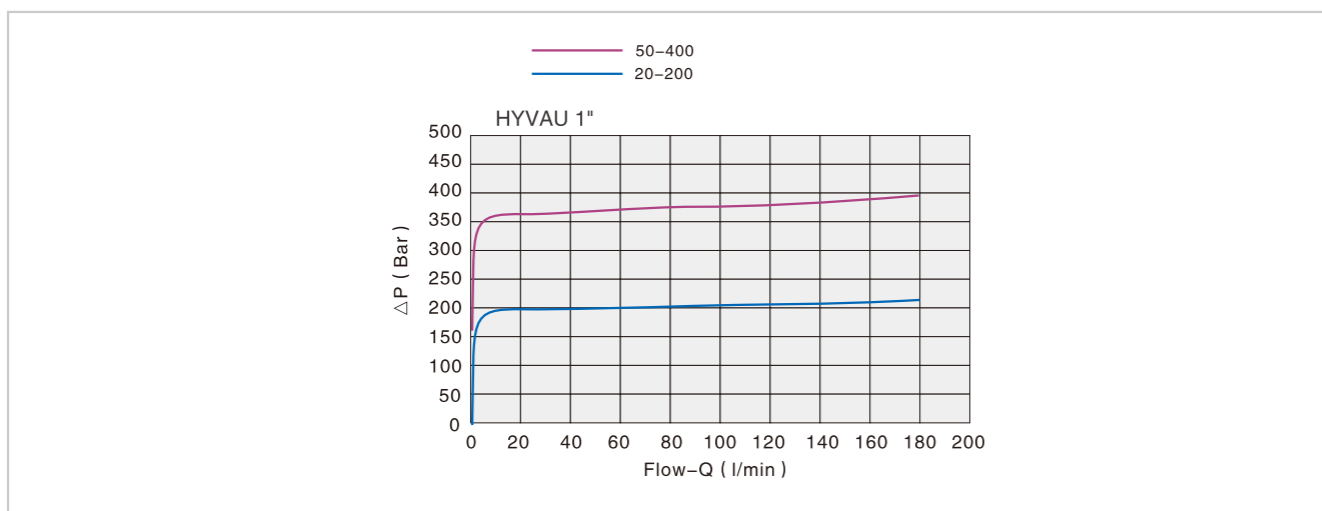
**Use and operation:**  
 Made up by 2 relief valves with crossed tank, this valve is used to block pressure to a certain setting in the 2 ports of an actuator/ hydraulic motor. It's ideal to provide protection against sudden shock pressures and to adjust different pressures in the 2 ports of an hydraulic circuit as well. The differential valve makes the opening slower but more constant setting even with flow changes.

**Applications:**  
 Connect V1 and V2 to the pressure flow or to the actuator/ hydraulic motor. Vice versa for the remaining ports V1 and V2. Mounting by the actuator is highly recommended in order to avoid pressure drops.

### Code symbol

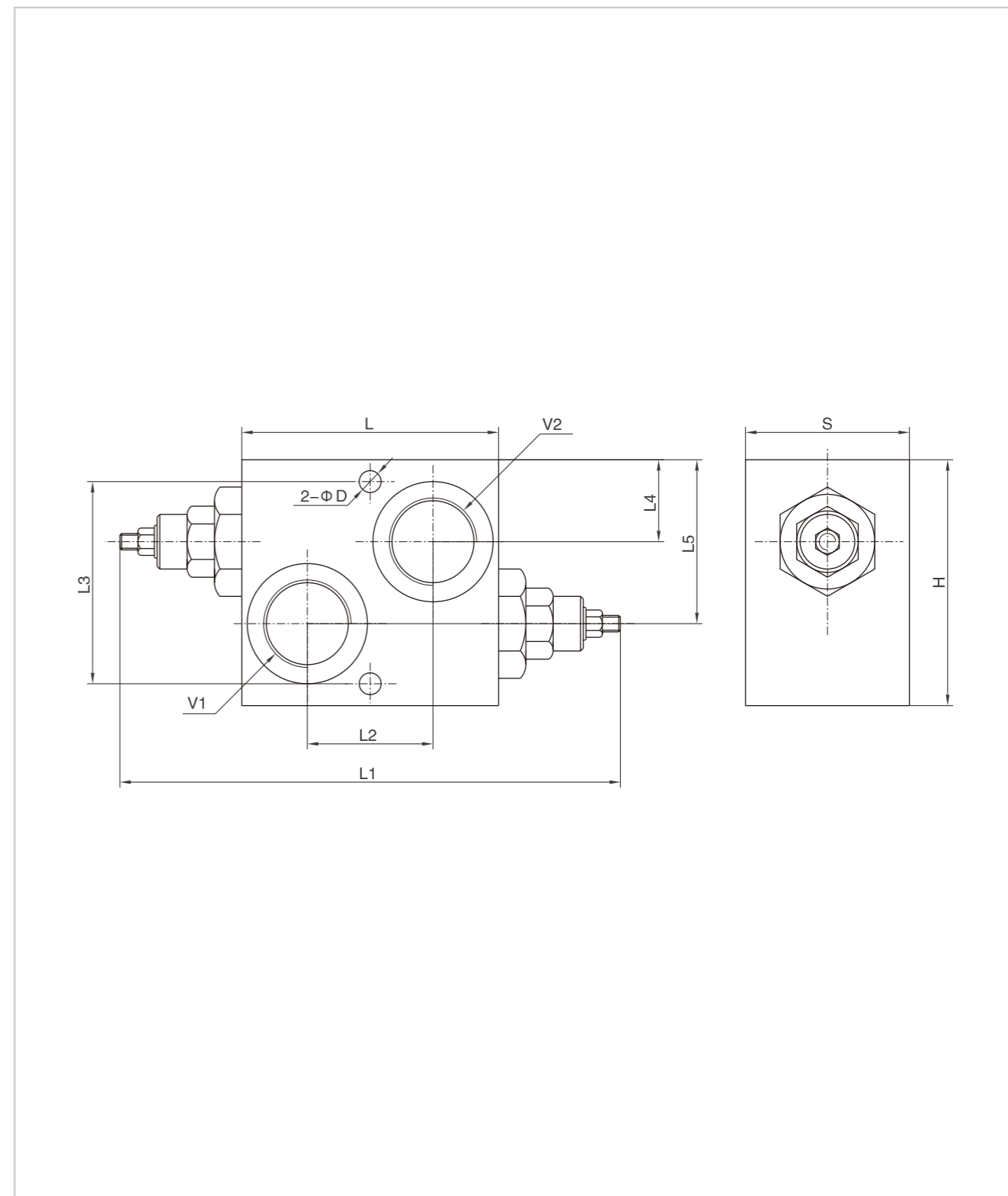


### Pressure drops curve



## Differential Dual Cross Relief Valves, 1"

### External dimensions



Type	V1/V2	L	L1	L2	L3	L4	L5	D	H	S
HYVAU 1"	G 1"	95	177	49	75	30	60	8.5	90	60