

Dual Cross Relief Valves With Anti-cavitation

Technical specification



Specification		1/2"	3/4"
Max.flow	(L/min)	70	110
SPRINGS HYVAUAC 1/2"	Setting range (Bar)	10-180STANDARD	50-250
	Pressure increase (Bar/turn)Q=4L/min	30	50
	Standard setting (Bar)	90	150
SPRINGS HYVAUAC 3/4"	Setting range (Bar)	20-200	50-400STANDARD
	Pressure increase (Bar/turn)Q=4L/min	40	80
	Standard setting (Bar)	160	180

Use and operation:

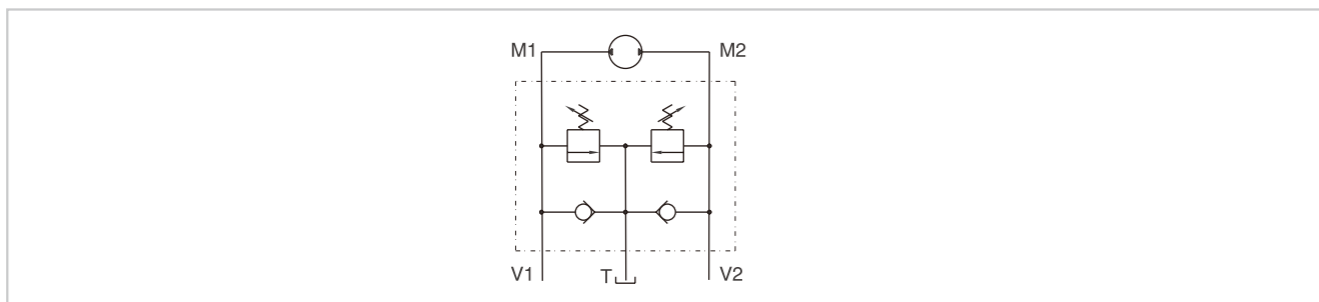
This valve is used to block pressure to a certain setting in the 2 ports of an hydraulic motor: when it reaches pressure setting, the valve opens allowing pressure relief in T. The relief valve provides overload protection in a fast and accurate way and cavitation is avoid tanks to the check valve. It' s suggested to mount set check valves to the tank way out.

MATERIALS AND FEATURES:

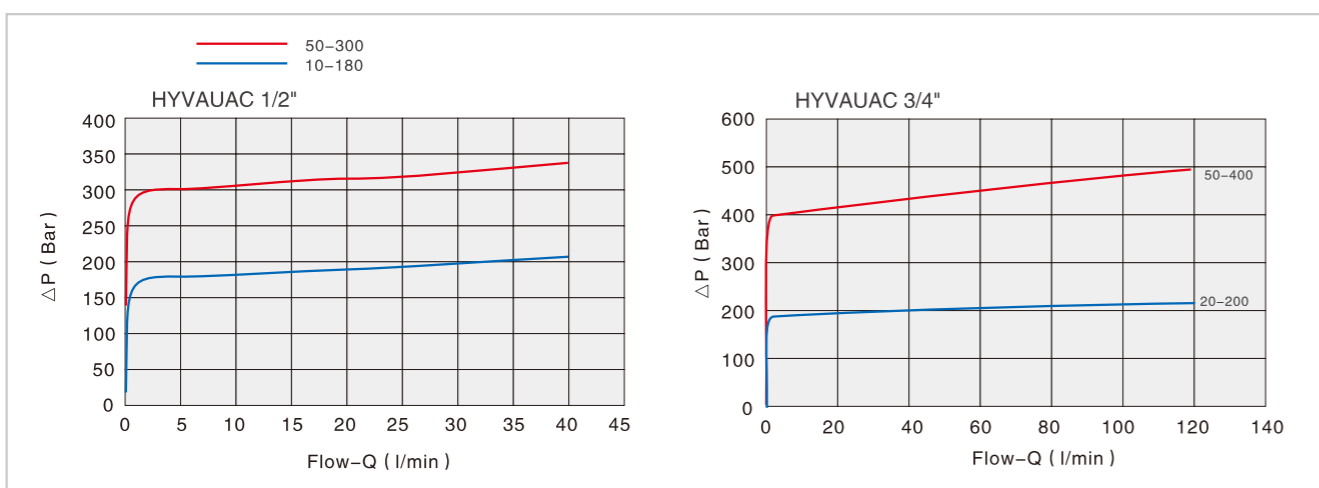
Applications:

Connect M1 and M2 to the motor and P1 and P2 to the pressure flow. Connect T to the tank. Mounting by the actuator is highly recommended in order to avoid pressure drops and get a prompt duty.

Code symbol



Pressure drops curve



Dual Cross Relief Valves With Anti-cavitation

External dimensions

