

## Direct Acting Sequence Valves

### Technical specification



Specification	3/8"	1/2"	3/4"
Max. flow ( L/min )	35	70	110
Max. pressure (Bar)	35	70	110

SPRINGS HYVS2C 3/8" HYVS2C 1/2"	Setting range(Bar)	10-50	20-100	10-180 Standard	50-250	80-300
	Pressure increase (Bar/turn)Q=4L/min	7	12	30	45	50
Standard setting(Bar)	30	75	90	130	150	
SPRINGS HYVS2C 3/4"	Setting range(Bar)	20-200		50-400STANDARD		
	Pressure increase (Bar/turn)Q=4L/min	40		80		
IMPIEGO:	Standard setting(Bar)	160		180		

#### Use and operation:

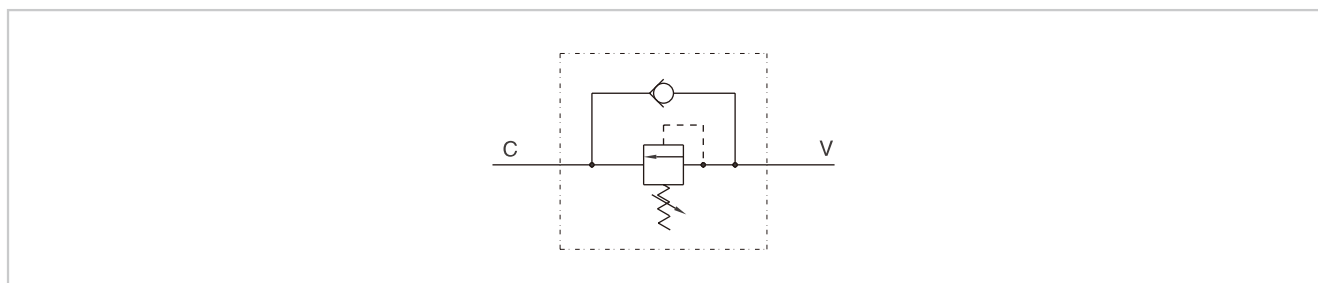
Sequence valve is used to feed 2 cylinders in sequence: it provides flow to the secondary circuit when a primary circuit function has been completed reaching the pressure setting. Return flow is free. It's ideal for circuits with low pressure on the secondary actuator as the pressures add to.

#### Applications:

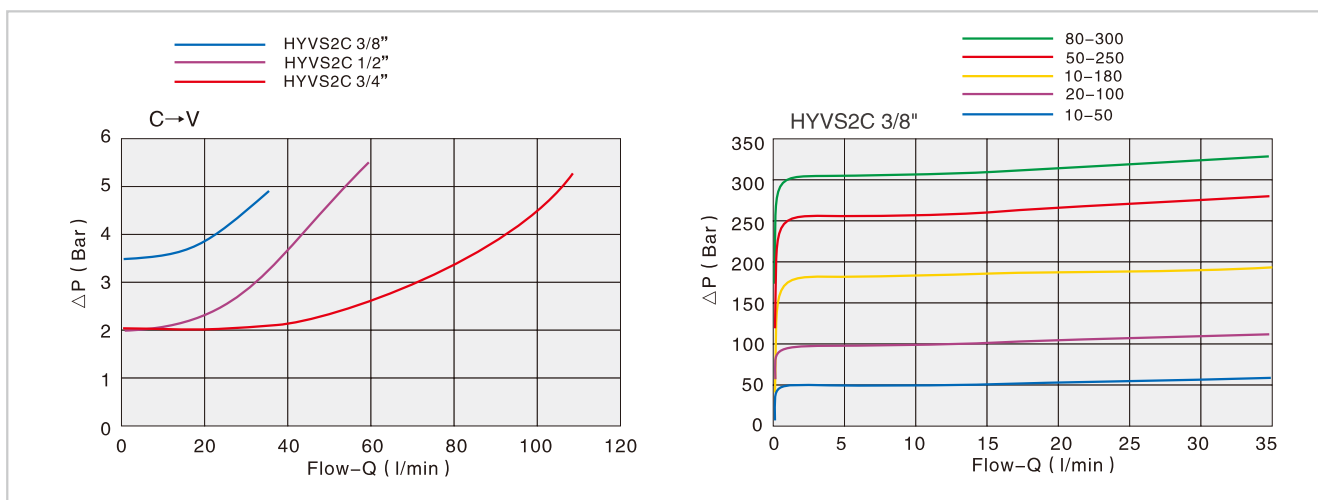
For use with 2 actuators, follow the mounting instructions indicated in the scheme.

For different uses, mount the valve keeping into consideration that, when the valve reaches the setting pressure, the flow goes from V towards C, whilst flow is free from C to V.

### Code symbol

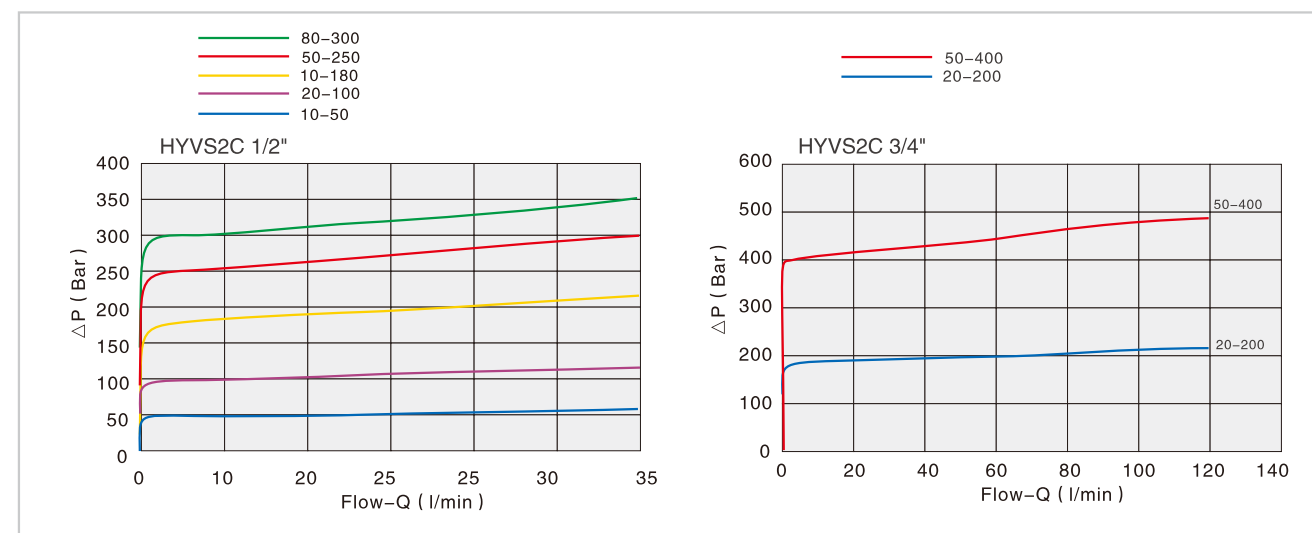


### Pressure drops curve

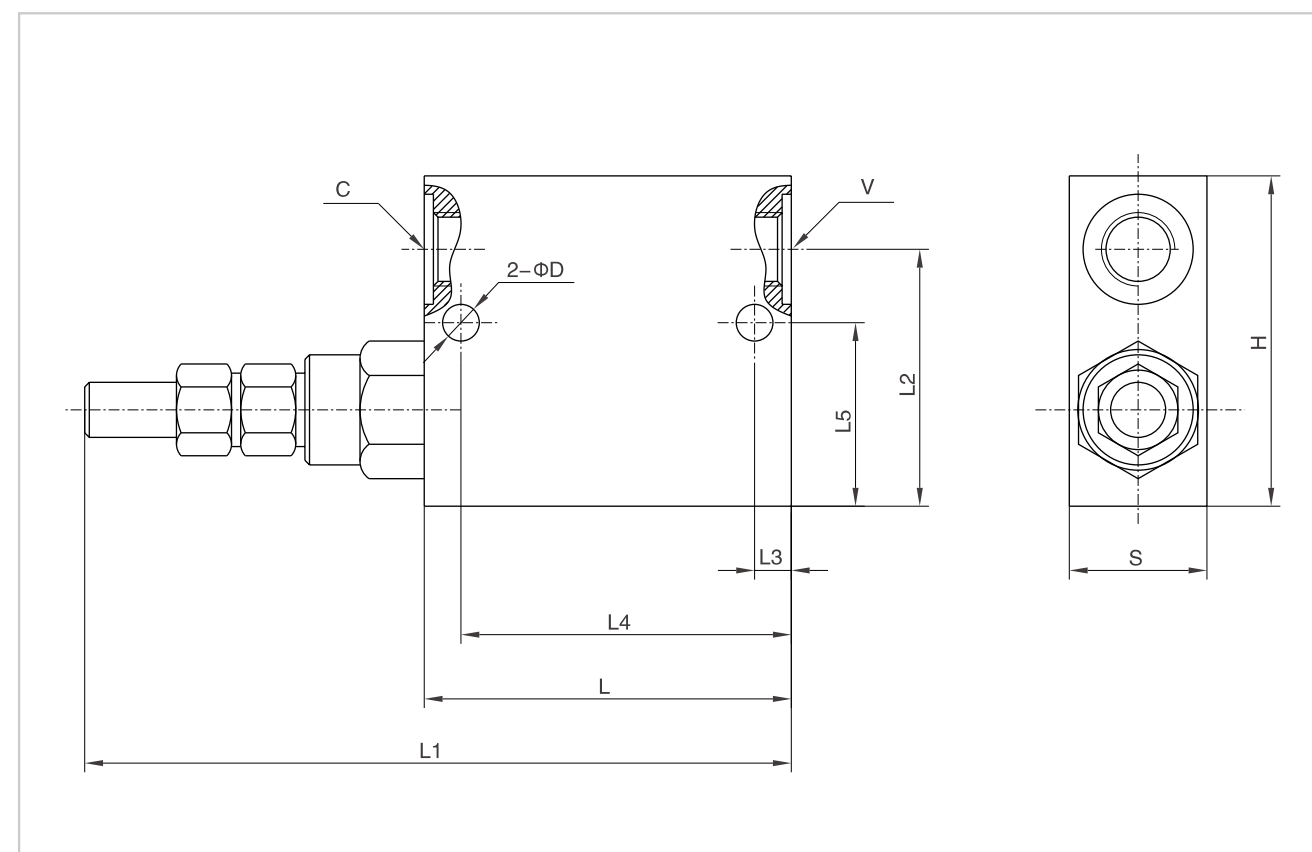


## Direct Acting Sequence Valves

### Pressure drops curve



### External dimensions



Type	V/C	L	L1	L2	L3	L4	L5	D	H	S
HYVS2C 3/8"	G 3/8"	74	146	56	8	63	39	8.5	70	30
HYVS2C 1/2"	G 1/2"	80	152	55	8	63	37	8.5	70	30
HYVS2C 3/4"	G 3/4"	100	164	80	10	90	50	8.5	100	40