

Ball Valves 2 Ways

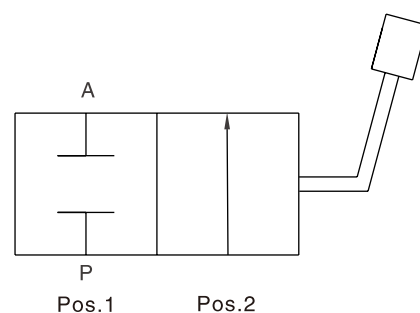


Use and operation:
These valves are used to open or close oil flow in a circuit even with maximum pressure

Applications:
Connect indifferently A or P to the ports where flow has to be blocked. Flow is blocked with lever at 90° (position 1) and free with lever in line (position 2).

N.9.1.1

Code symbol

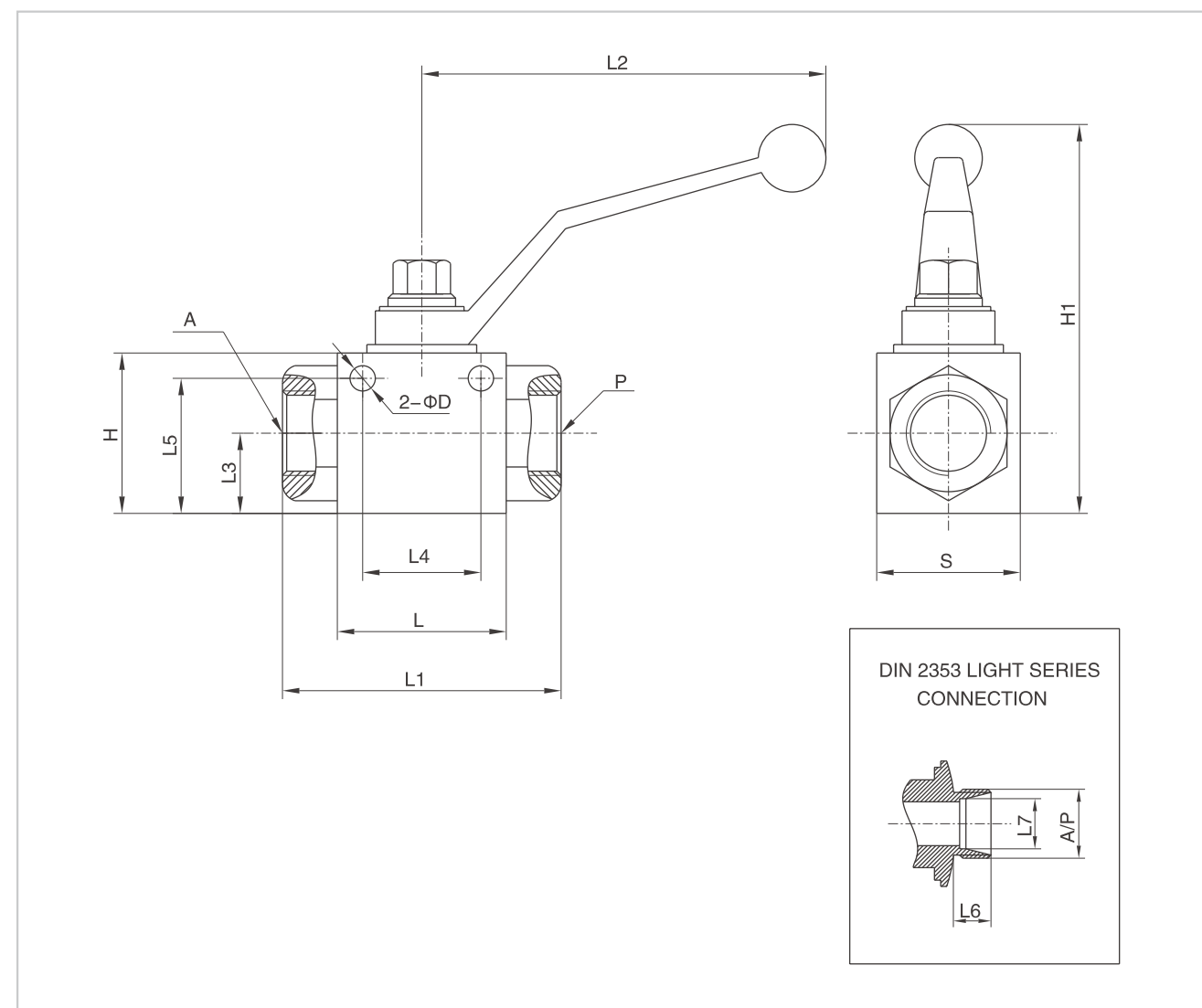


Din/iso 228 bsp female connection

| Type | MAX FLOW(L/min) | PN | DN | A/P | L | L1 | L2 | L3 | L4 | L5 | D | H | H1 | S |
|------------------|-----------------|-----|----|--------|----|-----|-----|----|----|----|-----|----|-----|----|
| HYRS 2 VIE 1/4" | 25 | 500 | 6 | G1/4" | 42 | 71 | 110 | 14 | 25 | 30 | 5.5 | 35 | 92 | 30 |
| HYRS 2 VIE 3/8" | 35 | 500 | 10 | G3/8" | 44 | 73 | 110 | 17 | 31 | 35 | 5.5 | 40 | 97 | 35 |
| HYRS 2 VIE 1/2" | 60 | 500 | 13 | G1/2" | 48 | 83 | 110 | 18 | 34 | 37 | 6.5 | 43 | 100 | 37 |
| HYRS 2 VIE 3/4" | 100 | 400 | 20 | G3/4" | 63 | 95 | 180 | 23 | 46 | 49 | 8.5 | 55 | 110 | 45 |
| HYRS 2 VIE 1" | 180 | 350 | 25 | G1" | 67 | 112 | 180 | 29 | 49 | 59 | 8.5 | 65 | 120 | 55 |
| HYRS 2 VIE 1"1/4 | 180 | 350 | 25 | G1"1/4 | 67 | 120 | 180 | 29 | 49 | 59 | 8.5 | 65 | 120 | 55 |
| HYRS 2 VIE 1"1/2 | 180 | 350 | 25 | G1"1/2 | 67 | 124 | 180 | 29 | 49 | 59 | 8.5 | 65 | 120 | 55 |

Ball Valves 2 Ways

External dimensions



N.9.1.2

Din 2353 light series connection

| Type | MAX FLOW(L/min) | PN | DN | A/P | L | L1 | L2 | L3 | L4 | L5 | L6 | L7 | D | H | H1 | S |
|--------------------|-----------------|-----|----|---------|----|-----|-----|----|----|----|----|----|-----|----|-----|----|
| HYRS 2 VIE M12x1.5 | 25 | 500 | 6 | M12x1.5 | 42 | 76 | 110 | 14 | 25 | 30 | 10 | 6 | 5.5 | 35 | 92 | 30 |
| HYRS 2 VIE M14x1.5 | 25 | 500 | 6 | M14x1.5 | 42 | 76 | 110 | 14 | 25 | 30 | 10 | 8 | 5.5 | 35 | 92 | 30 |
| HYRS 2 VIE M16x1.5 | 25 | 500 | 6 | M16x1.5 | 42 | 76 | 110 | 14 | 25 | 30 | 11 | 10 | 5.5 | 35 | 92 | 30 |
| HYRS 2 VIE M16x1.5 | 35 | 500 | 10 | M16x1.5 | 44 | 76 | 110 | 17 | 31 | 35 | 11 | 10 | 5.5 | 40 | 97 | 35 |
| HYRS 2 VIE M18x1.5 | 35 | 500 | 10 | M18x1.5 | 44 | 79 | 110 | 17 | 31 | 35 | 11 | 12 | 5.5 | 40 | 97 | 35 |
| HYRS 2 VIE M22x1.5 | 60 | 500 | 13 | M22x1.5 | 48 | 87 | 110 | 18 | 34 | 37 | 12 | 15 | 6.5 | 43 | 100 | 37 |
| HYRS 2 VIE M26x1.5 | 60 | 500 | 13 | M26x1.5 | 48 | 87 | 110 | 18 | 34 | 37 | 12 | 18 | 6.5 | 43 | 100 | 37 |
| HYRS 2 VIE M30x2 | 100 | 400 | 20 | M36x2 | 63 | 110 | 180 | 23 | 46 | 49 | 14 | 22 | 8.5 | 55 | 110 | 45 |
| HYRS 2 VIE M36x2 | 180 | 350 | 25 | M45x2 | 67 | 115 | 180 | 29 | 49 | 59 | 14 | 28 | 8.5 | 65 | 120 | 55 |
| HYRS 2 VIE M45x2 | 180 | 350 | 25 | M45x2 | 67 | 119 | 180 | 29 | 49 | 59 | 16 | 35 | 8.5 | 65 | 120 | 55 |
| HYRS 2 VIE M52x2 | 180 | 350 | 25 | M52x2 | 67 | 120 | 180 | 29 | 49 | 59 | 16 | 42 | 8.5 | 65 | 120 | 55 |