

Ball Valves 3 Ways

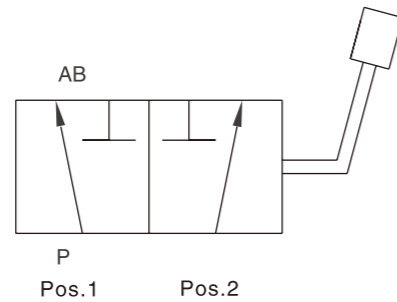


Use and operation:
These valves are used to divert the inlet flow towards 2 alternate ports (L scheme).

Applications:
Connect P to the pressure flow, A and B to the circuit ports where the flow has to be diverted. With lever at 90° flow is connected in port A (position 1), with lever in line flow is connected in port B (position 2).

N.9.2.1

Code symbol

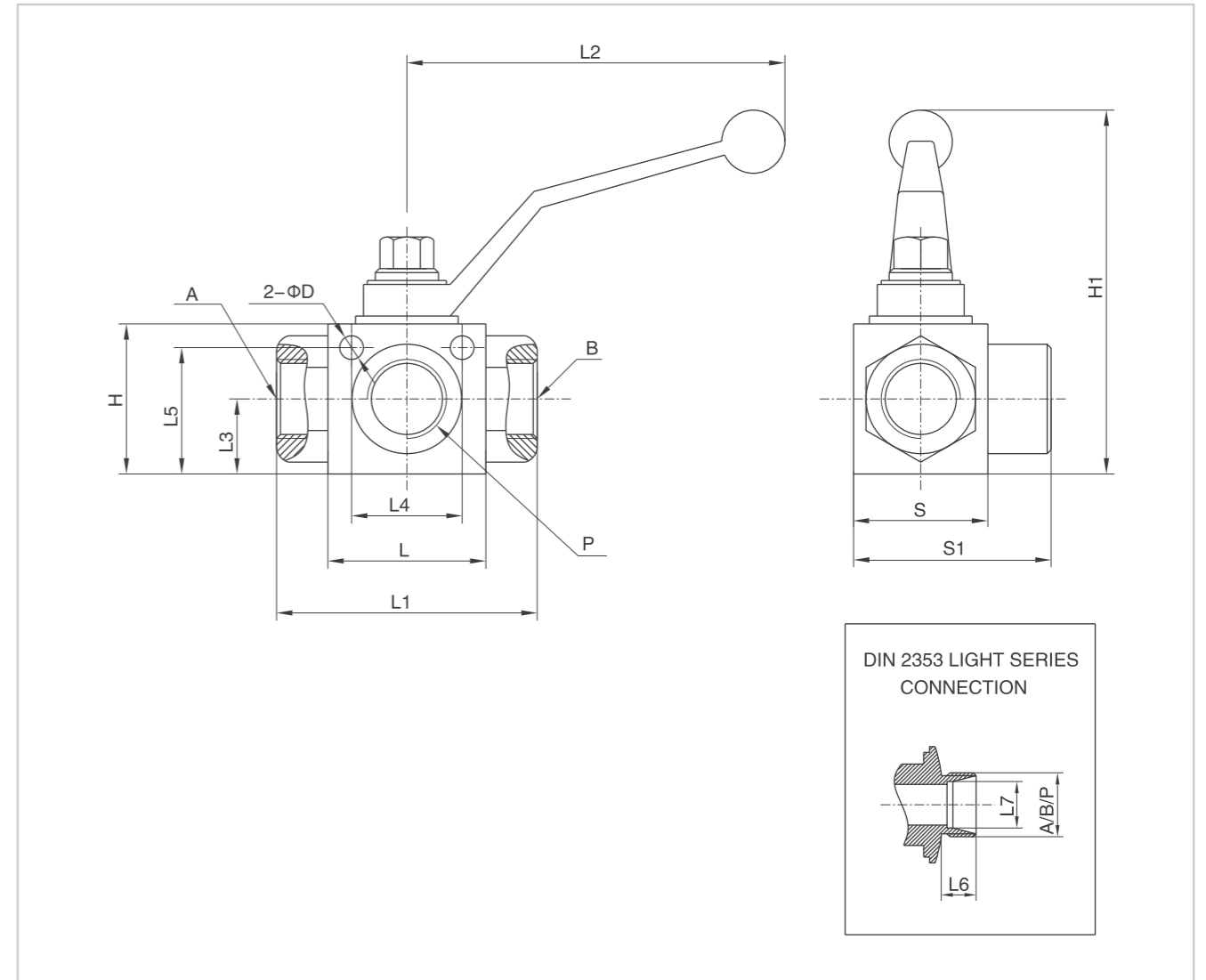


Din/iso 228 bsp female connection

Type	MAX FLOW(L/min)	PN	DN	A/P	L	L1	L2	L3	L4	L5	D	H	H1	S	S1
HYRS 3 VIE 1/4"	25	400	6	G1/4"	42	71	110	14	25	30	5.5	35	90	30	48.5
HYRS 3 VIE 3/8"	35	400	10	G3/8"	44	73	110	17	31	35	5.5	40	95	35	54
HYRS 3 VIE 1/2"	60	350	13	G1/2"	48	83	110	18	34	37	6.5	43	98	37	58
HYRS 3 VIE 3/4"	100	350	20	G3/4"	63	95	180	23	46	49	8.5	55	105	45	75
HYRS 3 VIE 1"	180	350	25	G1"	67	112	180	29	49	59	8.5	65	115	55	87
HYRS 3 VIE 1 1/4"	180	350	25	G1 1/4"	67	120	180	29	49	59	8.5	65	115	55	89
HYRS 3 VIE 1 1/2"	180	350	25	G1 1/2"	67	124	180	29	49	59	8.5	65	115	55	89

Ball Valves 3 Ways

External dimensions



Din 2353 light series connection

Type	MAX FLOW(L/min)	PN	DN	A/P	L	L1	L2	L3	L4	L5	L6	L7	D	H	H1	S	S1
HYRS 3 VIE M12x1.5	25	400	6	M12x1.5	42	76	110	14	25	30	10	6	5.5	35	92	30	48.5
HYRS 3 VIE M14x1.5	25	400	6	M14x1.5	42	76	110	14	25	30	10	8	5.5	35	92	30	54
HYRS 3 VIE M16x1.5	25	400	6	M16x1.5	42	76	110	14	25	30	11	10	5.5	35	92	30	53.5
HYRS 3 VIE M16x1.5	35	400	10	M16x1.5	44	76	110	17	31	35	11	10	5.5	40	97	35	58.5
HYRS 3 VIE M18x1.5	35	400	10	M18x1.5	44	76	110	17	31	35	11	12	5.5	40	97	35	58.5
HYRS 3 VIE M22x1.5	60	350	13	M22x1.5	48	79	110	18	34	37	12	15	6.5	43	100	37	62.5
HYRS 3 VIE M26x1.5	60	350	13	M26x1.5	48	87	110	18	34	37	12	18	6.5	43	100	37	62.5
HYRS 3 VIE M30x2	100	350	20	M36x2	62	110	180	23	46	49	14	22	8.5	55	110	45	79.5
HYRS 3 VIE M36x2	180	350	25	M45x2	67	115	180	29	49	59	14	28	8.5	65	120	55	91.5
HYRS 3 VIE M45x2	180	350	25	M45x2	67	119	180	29	49	59	16	35	8.5	65	120	55	93.5
HYRS 3 VIE M52x2	180	350	25	M52x2	67	120	180	29	49	59	16	42	8.5	65	120	55	96.5

N.9.2.2